

Vernis Shape
Single lever shower mixer for exposed installation
 Finish: **Chrome** Article Number: **71650000**



Description

product features

- 1 function
- maximum flow rate at 3 bar: 15,7 l/min
- flow rate of hand shower at 3 bar: 15,7 l/min
- ceramic cartridge
- temperature limitation adjustable
- non-return valve
- with silencer
- suitable for continuous flow water heaters
- hose connection DN15
- connection dimension: DN15
- min. operating pressure: 1 bar
- max. operating pressure: 10 bar
- connection type: s-shaped connections

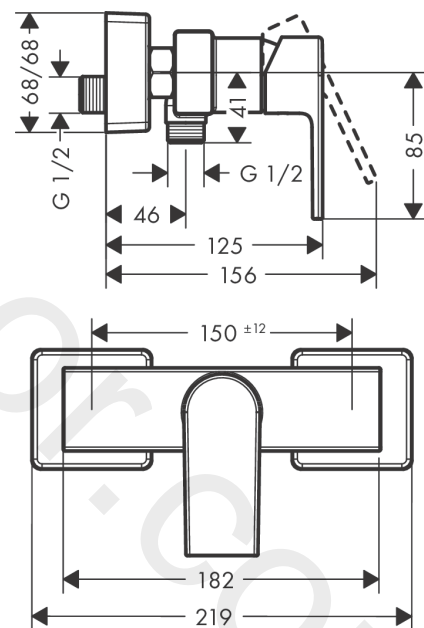
Article Details

Price excl. VAT 104,17 £

Product image



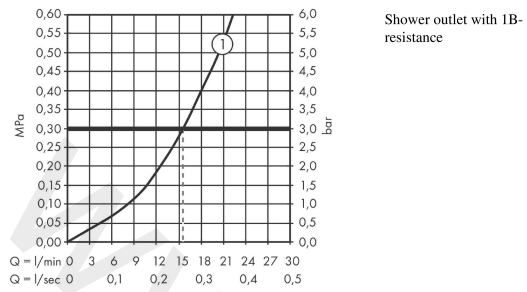
Scale drawing



Vernis Shape
Single lever shower mixer for exposed installation
 Finish: **Chrome** Article Number: **71650000**



Flowchart



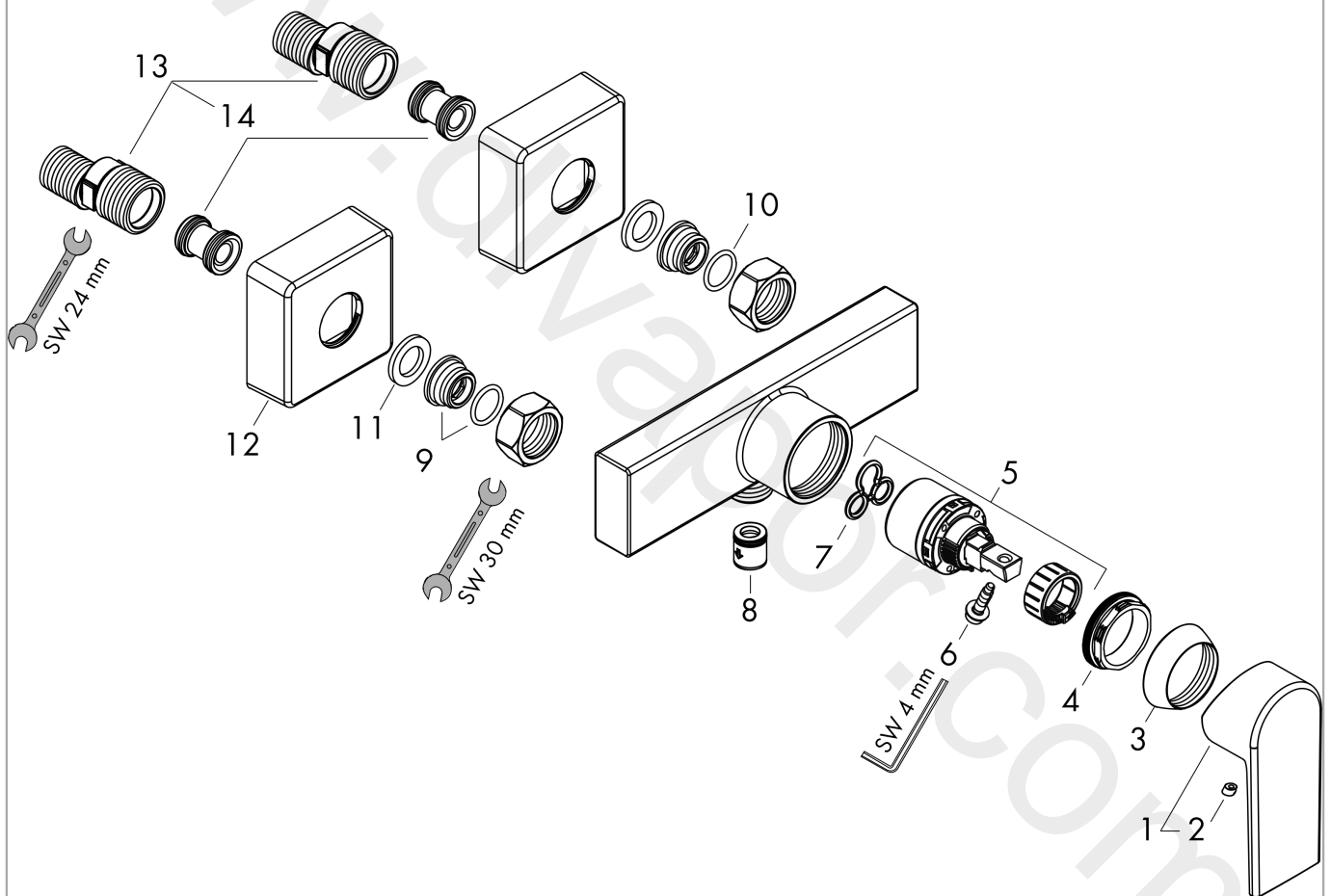
www.divapor.com

Vernis Shape
Single lever shower mixer for exposed installation
 Finish: **Chrome** Article Number: **71650000**



Exploded Drawing

Year of production: >04/21



Vernis Shape
Single lever shower mixer for exposed installation
 Finish: **Chrome** Article Number: **71650000**



Spare part list

Year of production: >04/21

Pos.	Description	Article Number	Price	PU
1	handle	93719000	£ 43,00	1
2	screw cover	96338000	£ 3,30	1
3	flange	93716000	-	1
4	nut	93717000	-	1
5	cartridge, assy	92730000	£ 35,00	1
6	locking screw for handle	95140000	£ 6,10	1
7	seal	95008000	£ 9,00	1
8	set of non return valves DW 15	94074000	£ 16,10	1
9	connecting thread G½	93767000	£ 9,00	1
10	O-ring 16x2	98133000	£ 3,30	1
11	filter packing	96922000	£ 9,00	1
12	escutcheon	93879000	£ 16,10	1
13	set of S-unions (±12 mm)	94140000	£ 51,00	1
14	noise reduction	96429000	£ 6,10	1