

Logis E

Single lever shower mixer for exposed installation 2 ticks

Finish: **Chrome** Article Number: **71634009**



Description

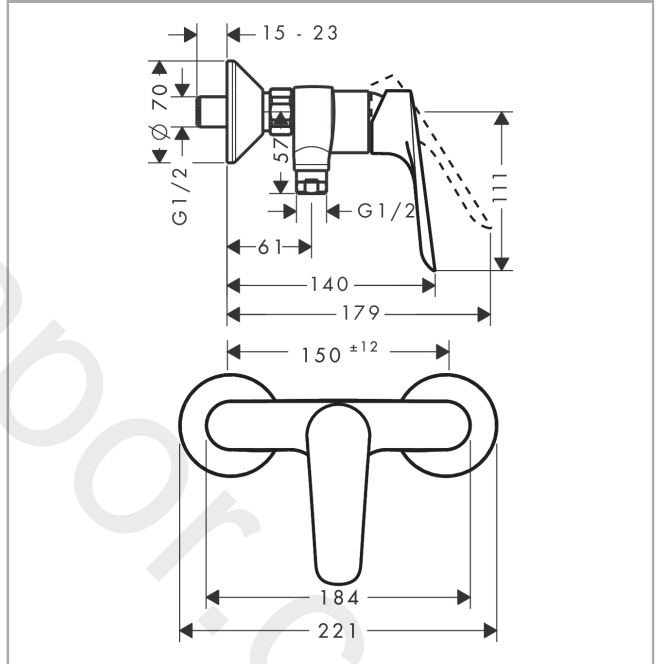
product features

- 1 function
- centre distance: 150 ± 12 mm
- maximum flow rate at 3 bar: 5,7 l/min
- ceramic cartridge
- temperature limitation adjustable
- non-return valve
- with silencer
- hose connection DN15
- connection dimension: DN15
- connection type: s-shaped connections

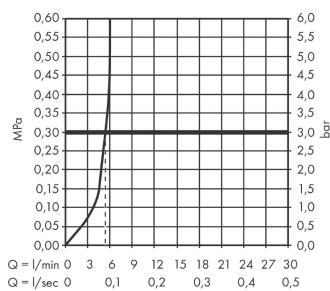
Product image



Scale drawing



Flowchart

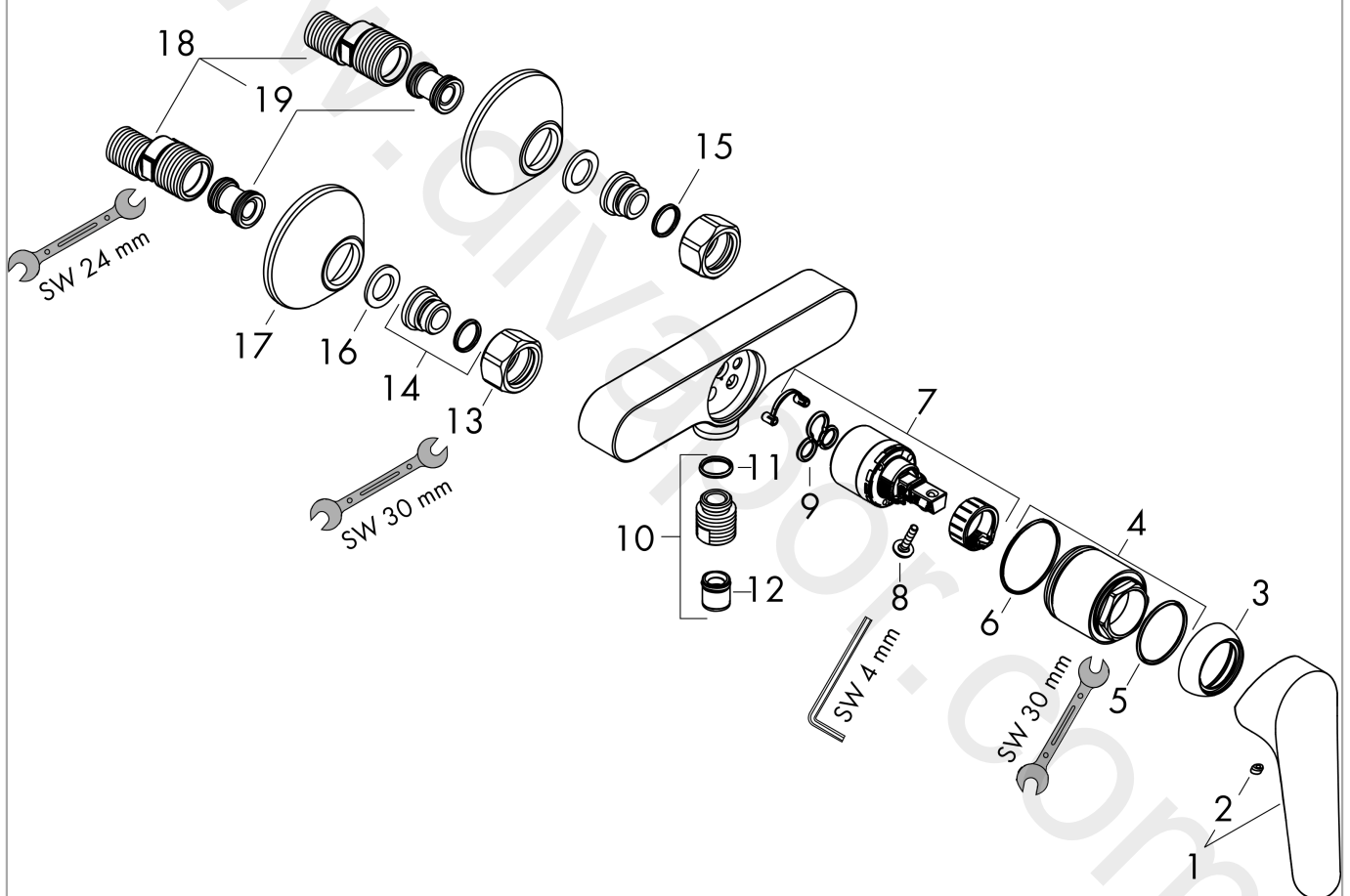


Logis E
Single lever shower mixer for exposed installation 2 ticks
 Finish: **Chrome** Article Number: **71634009**



Exploded Drawing

Year of production: >04/20



Logis E**Single lever shower mixer for exposed installation 2 ticks**Finish: **Chrome** Article Number: **71634009****Spare part list**

Year of production: >04/20

Pos.	Description	Article Number	Price	PU
1	handle	93024000	£ 51,00	1
2	screw cover	96338000	£ 3,30	1
3	flange	97406000	£ 20,50	1
4	nut	97977000	£ 43,00	1
5	O-Ring 32x2	98193000	£ 3,30	1
6	O-ring 33x1,5	98164000	£ 3,30	1
7	cartridge, assy	95646001	£ 96,00	1
8	locking screw for handle	95140000	£ 6,10	1
9	seal	95008000	£ 9,00	1
10	Hose Connection	96044019	-	1
11	O-ring 14x2	98129000	£ 3,30	1
12	non return valve	92839000	£ 16,10	1
13	set of nuts	96157000	£ 35,00	1
14	connecting thread	97220000	£ 16,10	1
15	O-ring 15x2	98163000	£ 3,30	1
16	filter packing	96922000	£ 9,00	1
17	escutcheon Ø 70 mm	94135000	£ 13,30	1
18	set of S-unions (±12 mm)	94140000	£ 51,00	1
19	noise reduction	96429000	£ 6,10	1