

Vernis Blend
Single lever basin mixer 100 without waste set
 Finish: **Chrome** Article Number: **71580000**



Description

product features

- ComfortZone 100
- projection: 108 mm
- spout height: 88 mm
- handle variant: lever handle
- spray type: normal spray
- swiveling spray former
- maximum flow rate at 3 bar: 5 l/min
- ceramic cartridge
- temperature limitation adjustable
- suitable for continuous flow water heaters
- connection type: G 3/8 connections
- connection dimension: DN15
- EU taxonomy: max. 6 l/min - Substantial Contribution (SC) possible
- WRAS 2101057
- WRAS 2101057 - WRAS Approval Letter

Article Details

Price excl. VAT 91,67 £

Technology



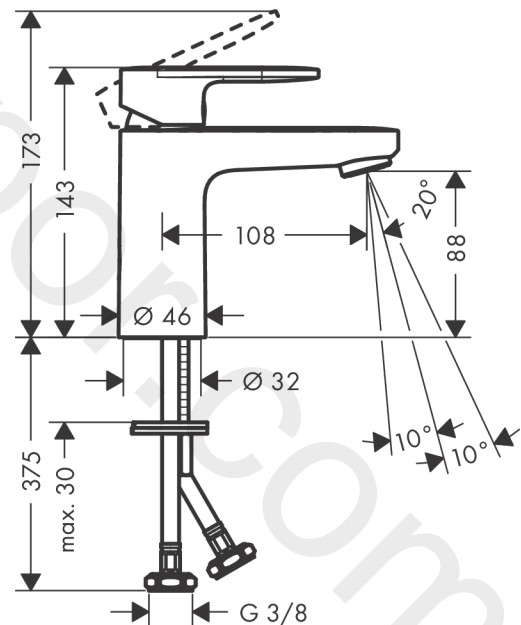
Certificates / Sustainability



Product image



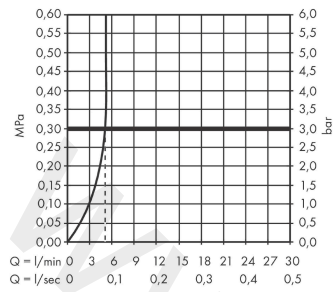
Scale drawing



Vernis Blend
Single lever basin mixer 100 without waste set
 Finish: **Chrome** Article Number: **71580000**



Flowchart



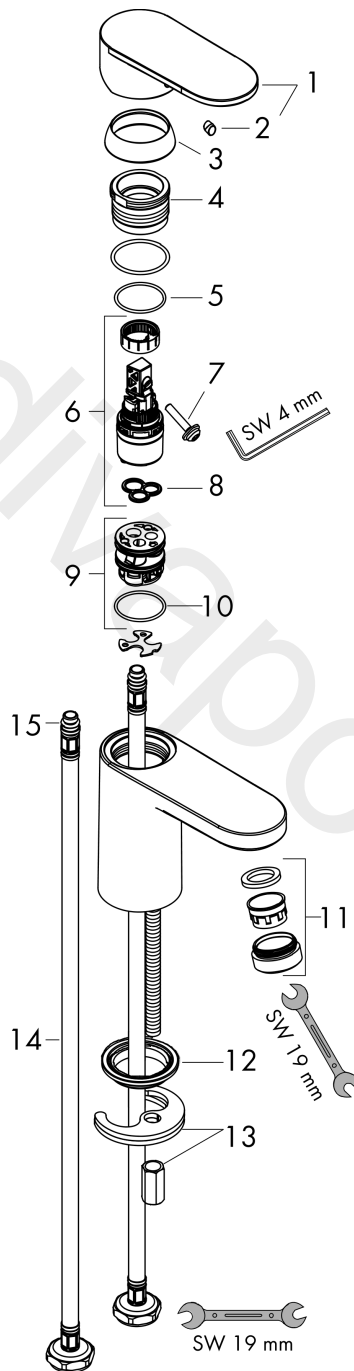
www.divapor.com

Vernis Blend
Single lever basin mixer 100 without waste set
 Finish: **Chrome** Article Number: **71580000**



Exploded Drawing

Year of production: >01/21



Vernis Blend
Single lever basin mixer 100 without waste set
 Finish: **Chrome** Article Number: **71580000**



Spare part list

Year of production: >01/21

Pos.	Description	Article Number	Price	PU
1	handle	93678000	£ 35,00	1
2	screw cover	96338000	£ 3,30	1
3	flange	93680000	£ 9,00	1
4	nut	93681000	£ 20,50	1
5	O-ring 24x1,5	98434000	£ 3,30	1
6	cartridge, assy	97685000	£ 64,00	1
7	locking screw for handle	95140000	£ 6,10	1
8	seal	98865000	£ 35,00	1
9	adapter for cartridge	98866000	£ 35,00	1
10	O-ring 23x2	98398000	£ 3,30	1
11	aerator swivelling M24x1 (5 l/min)	93834000	£ 20,50	1
12	seal Ø 42	98722000	£ 6,10	1
13	fixing set	96016000	£ 35,00	1
14	connection hose 600 mm M8x0,75 G3/8	96556000	£ 25,00	1
15	O-ring 7x1,5	98422000	£ 3,30	1