

Vernis Shape

Single lever basin mixer for concealed installation wall-mounted with spout 20,7 cm

Finish: **Matt Black** Article Number: **71578670**



Description

product features

- projection: 207 mm
- handle variant: lever handle
- spray type: normal spray
- maximum flow rate at 3 bar: 5 l/min
- ceramic cartridge
- suitable for continuous flow water heaters
- connection type: basic set
- connection dimension: DN15
- handle can be positioned on the right or left, depending on the basic set installation
- EU taxonomy: max. 6 l/min - Substantial Contribution (SC) possible
- WRAS 2204082
- WRAS 2204082 - Approval letter

Article Details

Price excl. VAT

204,20 £

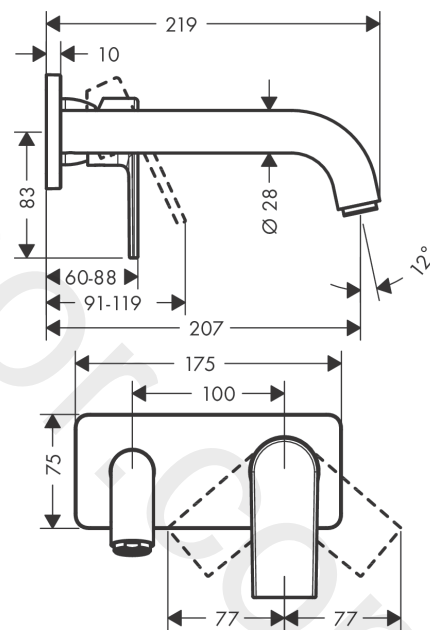
Technology



Product image



Scale drawing



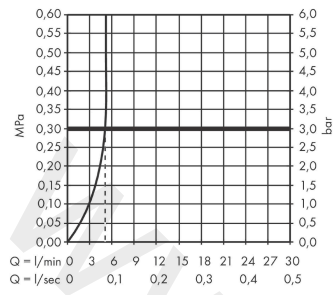
Vernis Shape

Single lever basin mixer for concealed installation wall-mounted with spout 20,7 cm

Finish: **Matt Black** Article Number: **71578670**



Flowchart



Vernis Shape

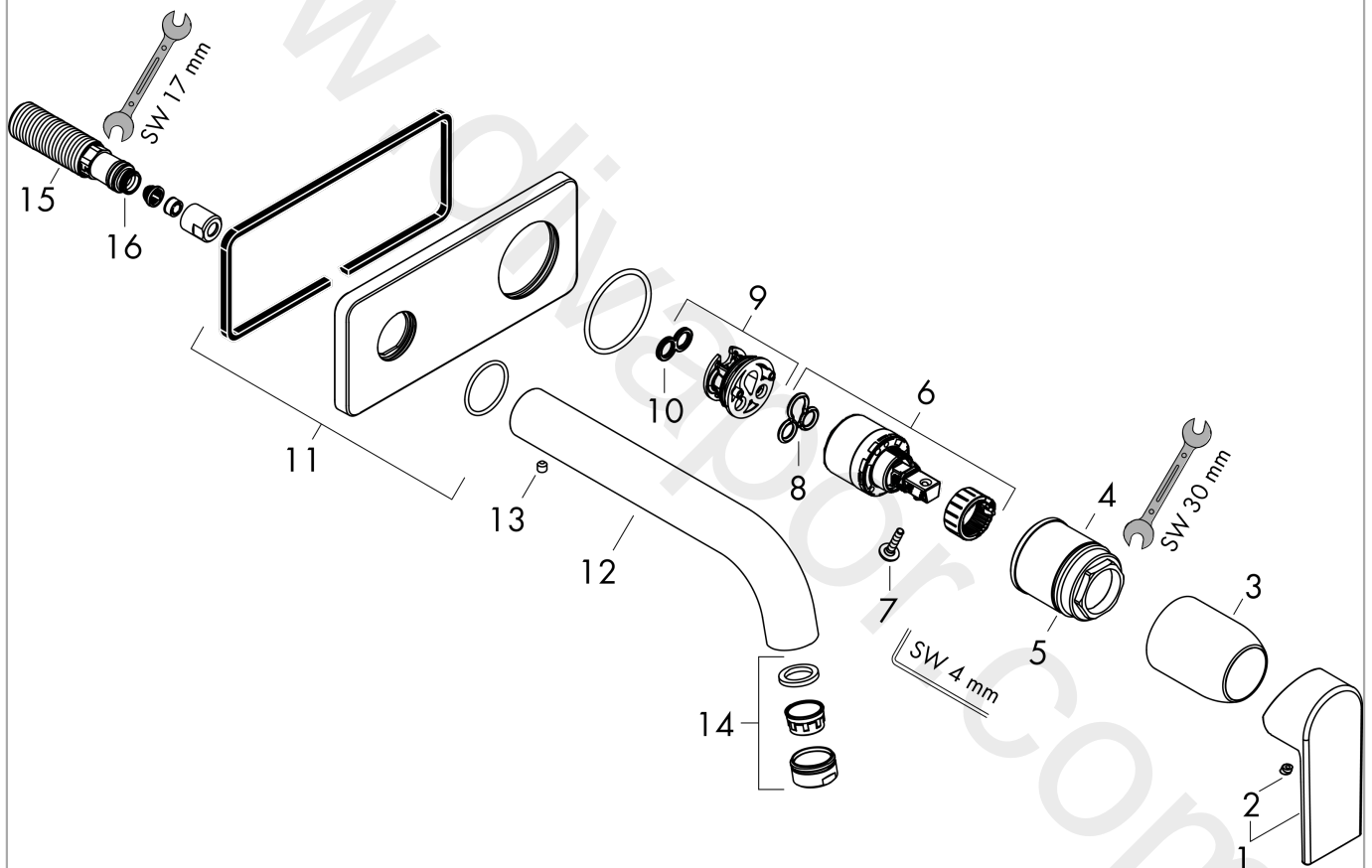
Single lever basin mixer for concealed installation wall-mounted with spout 20,7 cm

Finish: **Matt Black** Article Number: **71578670**



Exploded Drawing

Year of production: >04/21



Vernis Shape

Single lever basin mixer for concealed installation wall-mounted with spout 20,7 cm

Finish: **Matt Black** Article Number: **71578670**



Spare part list

Year of production: >04/21

Pos.	Description	Article Number	Price	PU
1	handle	93712670	£ 51,00	1
2	screw cover	96338000	£ 3,30	1
3	sleeve	98790670	£ 51,00	1
4	nut	95622000	£ 43,00	1
5	O-ring 39x1,5	98400000	£ 3,30	1
6	cartridge, assy	92730000	£ 35,00	1
7	locking screw for handle	95140000	£ 6,10	1
8	seal	95008000	£ 9,00	1
9	adapter for cartridge	95779000	£ 16,10	1
10	O-ring 26x2	98147000	£ 3,30	1
11	escutcheon	93713670	£ 33,00	1
12	spout cpl.	93710670	£ 76,00	1
13	hollow set screw M5x5	98446000	£ 3,30	1
14	aerator M24x1	92254670	£ 64,00	1
15	connecting thread G½	93771000	£ 25,00	1
16	O-ring 13x2	98128000	£ 3,30	1
a	base body	13622180	£ 355,00	1
b	waste	50001670	£ 99,36	1
c	extension set 25 mm for 13622180	31971000	£ 169,00	1