

## Vernis Shape

### Single lever basin mixer 70 with isolated water conduction and metal pop-up waste set

Finish: **Chrome** Article Number: **71566000**



#### Description

##### product features

- consists of: single lever basin mixer, waste set
- ComfortZone 70
- projection: 89 mm
- spout height: 71 mm
- handle variant: lever handle
- spray type: normal spray
- swiveling spray former
- maximum flow rate at 3 bar: 5 l/min
- ceramic cartridge
- temperature limitation adjustable
- with isolated water conduction - without contact with nickel and lead
- suitable for continuous flow water heaters
- pop-up waste set G 1¼
- material waste set: metal
- connection type: G ¾ connections
- connection dimension: DN15
- EU taxonomy: max. 6 l/min - Substantial Contribution (SC) possible
- WRAS 2101057
- WRAS 2101057 - WRAS Approval Letter

#### Article Details

Price excl. VAT

101,67 £

#### Technology



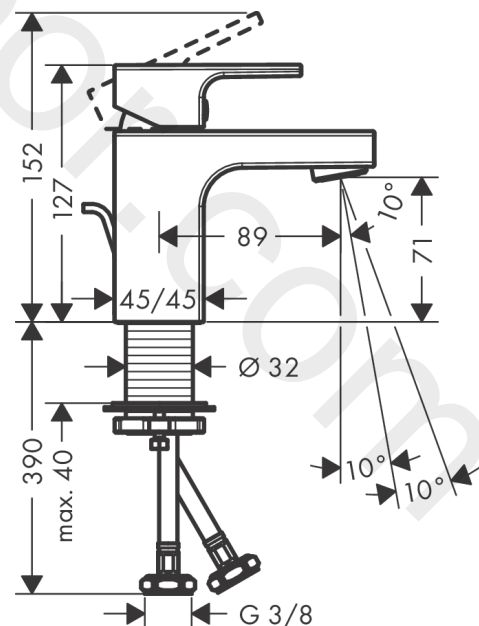
#### Certificates / Sustainability



#### Product image



#### Scale drawing



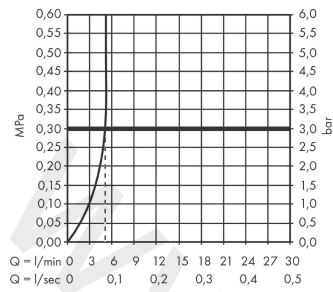
**Vernis Shape**

**Single lever basin mixer 70 with isolated water conduction and metal pop-up waste set**

Finish: **Chrome** Article Number: **71566000**



**Flowchart**



www.divapor.com

Vernis Shape

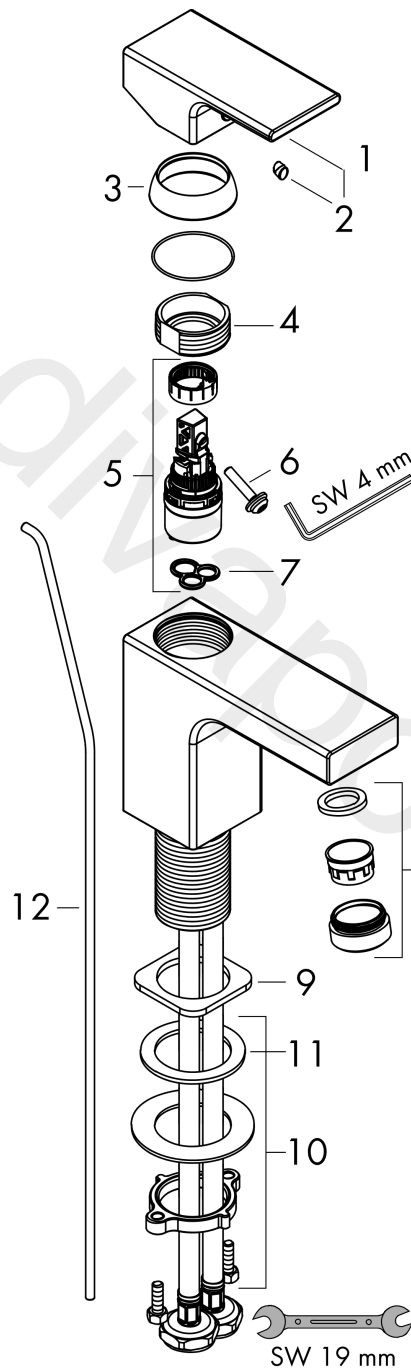
Single lever basin mixer 70 with isolated water conduction and metal pop-up waste set

Finish: **Chrome** Article Number: **71566000**



Exploded Drawing

Year of production: >04/21



## Vernis Shape

Single lever basin mixer 70 with isolated water conduction and metal pop-up waste set

Finish: **Chrome** Article Number: **71566000**



### Spare part list

Year of production: >04/21

Pos.	Description	Article Number	Price	PU
1	handle	93684000	£ 35,00	1
2	screw cover	96338000	£ 3,30	1
3	flange	93680000	£ 9,00	1
4	nut	93686000	£ 25,00	1
5	cartridge, assy	97685000	£ 64,00	1
6	locking screw for handle	95140000	£ 6,10	1
7	seal	98865000	£ 35,00	1
8	aerator swivelling M24x1 (5 l/min)	93834000	£ 20,50	1
9	seal	93687000	£ 3,30	1
10	fixing set (Ø 32)	13961000	£ 25,00	1
11	lever collar	97548000	£ 3,30	1
12	connection hose 450 mm M8x0,75 G3/8	97206000	£ 35,00	1
13	O-ring 6,6x1,6	93019000	£ 3,30	1
14	pull rod	93683000	£ 13,30	1
a	pop up waste	94139000	£ 96,00	1
b	fixation extension 35 mm	13898000	£ 79,00	1