

Vernis Shape

3-hole basin mixer with pop-up waste set

Finish: **Chrome** Article Number: **71563000**



Description

product features

- consists of: 3-hole basin mixer, waste set
- ComfortZone 150
- projection: 166 mm
- spout height: 151 mm
- handle variant: lever handle
- spray type: laminar spray
- maximum flow rate at 3 bar: 5 l/min
- ceramic valves hot/cold 90°
- suitable for continuous flow water heaters
- pop-up waste set G 1¼
- material waste set: synthetic
- connection type: G ¾ connections
- connection dimension: DN15
- EU taxonomy: max. 6 l/min - Substantial Contribution (SC) possible
- WRAS 2211034

Article Details

Price excl. VAT

191,67 £

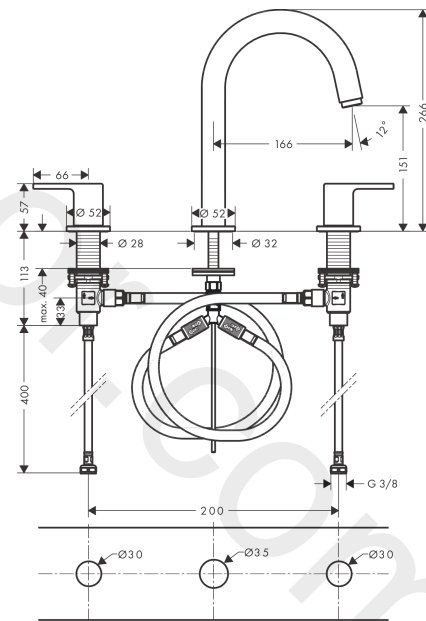
Technology



Product image



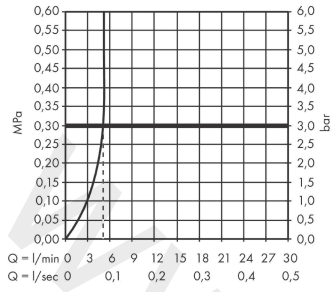
Scale drawing



Vernis Shape
3-hole basin mixer with pop-up waste set
 Finish: **Chrome** Article Number: **71563000**



Flowchart



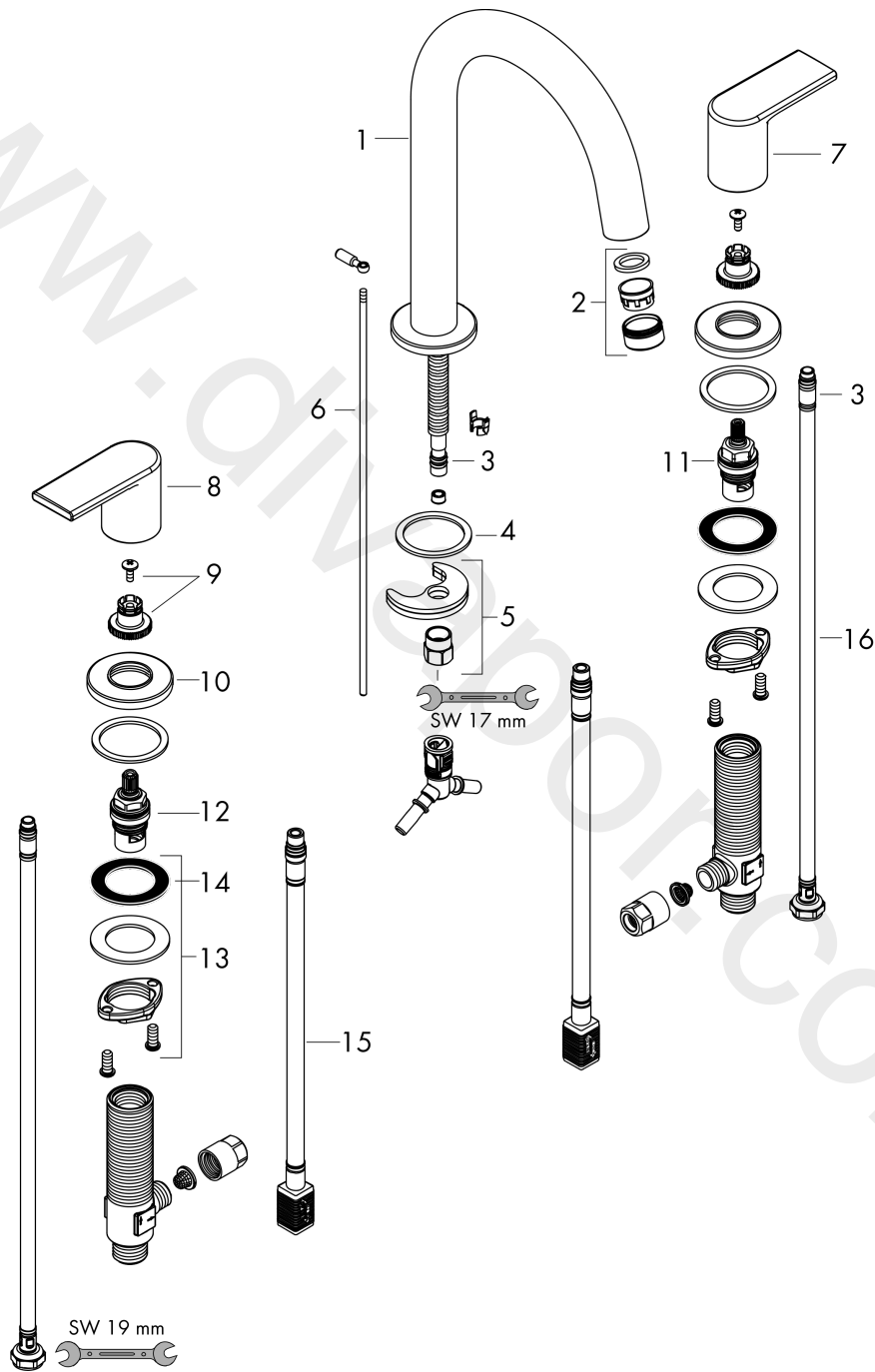
www.divapor.com

Vernis Shape
3-hole basin mixer with pop-up waste set
 Finish: **Chrome** Article Number: **71563000**



Exploded Drawing

Year of production: >04/21



Vernis Shape

3-hole basin mixer with pop-up waste set

Finish: **Chrome** Article Number: **71563000**



Spare part list

Year of production: >04/21

Pos.	Description	Article Number	Price	PU
1	spout cpl.	93685000	-	1
2	aerator M24x1 (5 l/min)	92372000	£ 20,50	1
3	O-ring 7x1,5	98422000	£ 3,30	1
4	seal	93699000	-	1
5	mounting kit	93763000	-	1
6	pull rod	93690000	£ 13,30	1
7	handle for cold water	93703000	-	1
8	handle for hot water	93702000	-	1
9	handle fixing set	94184000	£ 6,10	1
10	escutcheon for handle	93698000	£ 25,00	1
11	shut off unit left closing	93838000	£ 51,00	1
12	shut off unit right closing	93839000	£ 51,00	1
13	fixing set (Ø 28)	92909000	£ 43,00	1
14	lever collar	97548000	£ 3,30	1
15	connection hose 400 mm M10x1	92914000	£ 64,00	1
16	connection hose 450 mm M8x0,75 G3/8	97206000	£ 35,00	1
a	pop up waste	92168000	£ 43,00	1