

Vernis Shape

Single lever basin mixer 190 with isolated water conduction and pop-up waste set

Finish: **Chrome** Article Number: **71562000**



Description

product features

- consists of: single lever basin mixer, waste set
- ComfortZone 190
- projection: 181 mm
- spout height: 190 mm
- handle variant: lever handle
- spray type: normal spray
- swiveling spray former
- maximum flow rate at 3 bar: 5 l/min
- ceramic cartridge
- temperature limitation adjustable
- with isolated water conduction - without contact with nickel and lead
- suitable for continuous flow water heaters
- pop-up waste set G 1¼
- material waste set: synthetic
- connection type: G ¾ connections
- connection dimension: DN15
- EU taxonomy: max. 6 l/min - Substantial Contribution (SC) possible

Article Details

Price excl. VAT

154,17 £

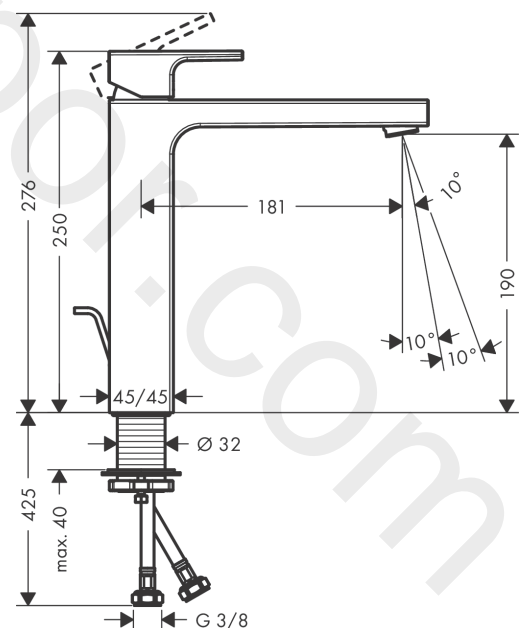
Technology



Product image



Scale drawing



Vernis Shape

Single lever basin mixer 190 with isolated water conduction and pop-up waste set

Finish: **Chrome** Article Number: **71562000**



Flowchart



Vernis Shape

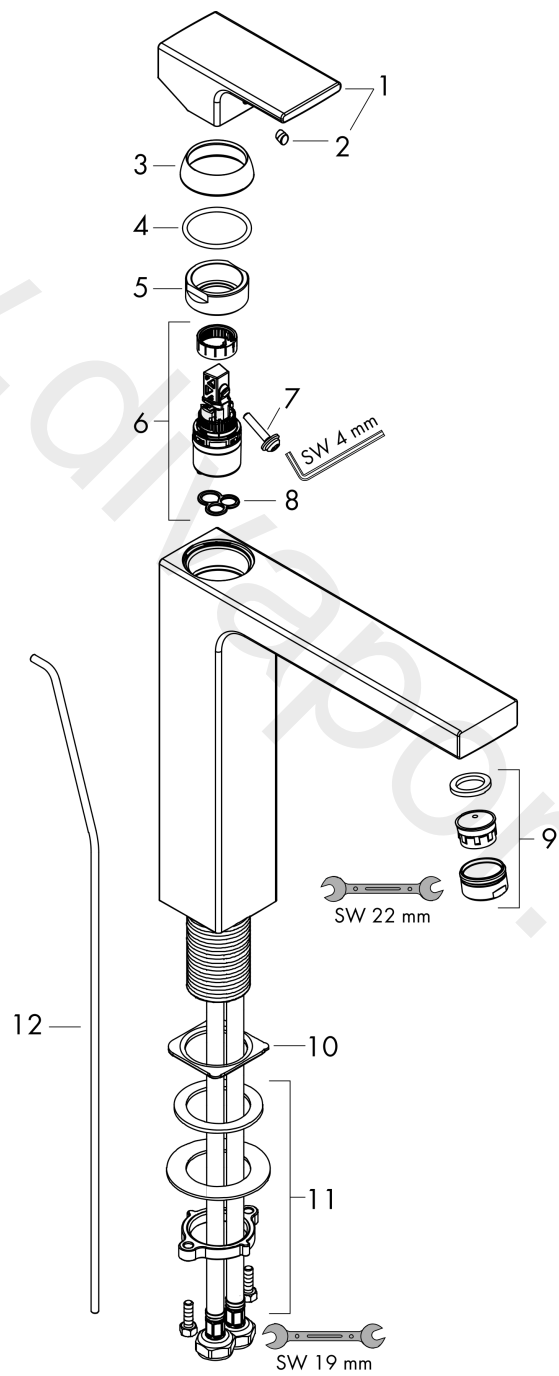
Single lever basin mixer 190 with isolated water conduction and pop-up waste set

Finish: **Chrome** Article Number: **71562000**



Exploded Drawing

Year of production: >07/21



Vernis Shape

Single lever basin mixer 190 with isolated water conduction and pop-up waste set

Finish: **Chrome** Article Number: **71562000**



Spare part list

Year of production: >07/21

Pos.	Description	Article Number	Price	PU
1	handle	93684000	£ 35,00	1
2	screw cover	96338000	£ 3,30	1
3	flange	93680000	£ 9,00	1
4	O-Ring 32x2	98193000	£ 3,30	1
5	nut	93686000	£ 25,00	1
6	cartridge, assy	97685000	£ 64,00	1
7	locking screw for handle	95140000	£ 6,10	1
8	seal	98865000	£ 35,00	1
9	aerator swivelling M24x1 (7 l/min)	94443000	-	1
10	seal	93687000	£ 3,30	1
11	fixing set (Ø 32)	13961000	£ 25,00	1
12	pull rod	93683000	£ 13,30	1
a	pop up waste	92168000	£ 43,00	1
b	fixation extension 35 mm	13898000	£ 79,00	1
c	lever arm 340mm (ball-Ø12mm)	96324000	£ 25,00	1