

Vernis Blend
Bath mixer set for concealed installation
 Finish: **Chrome** Article Number: **71473000**



Description

product features

- consists of: single lever bath mixer, basic set
- 2 functions
- maximum flow rate at 3 bar: 30 l/min
- ceramic cartridge
- temperature limitation adjustable
- diverter with automatic resetting
- suitable for continuous flow water heaters
- connection type: basic set
- wall-mounted
- min. operating pressure: 1 bar
- max. operating pressure: 10 bar

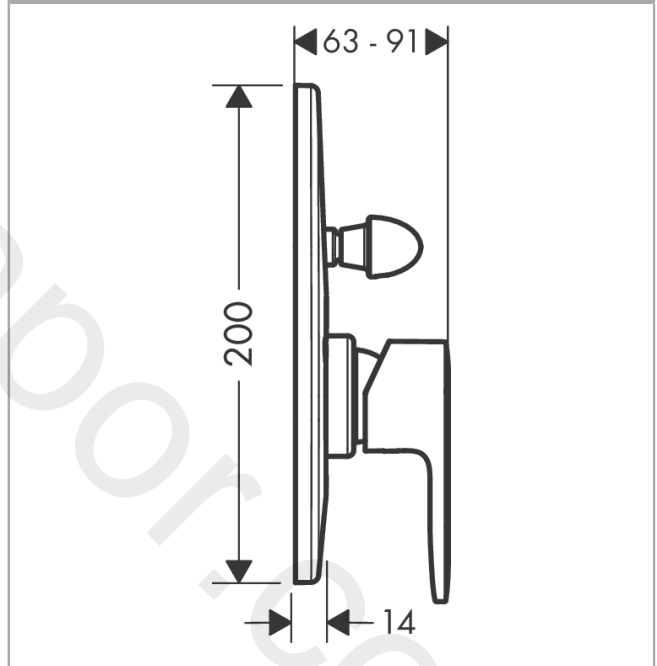
Article Details

Price excl. VAT 165,00 £

Product image



Scale drawing

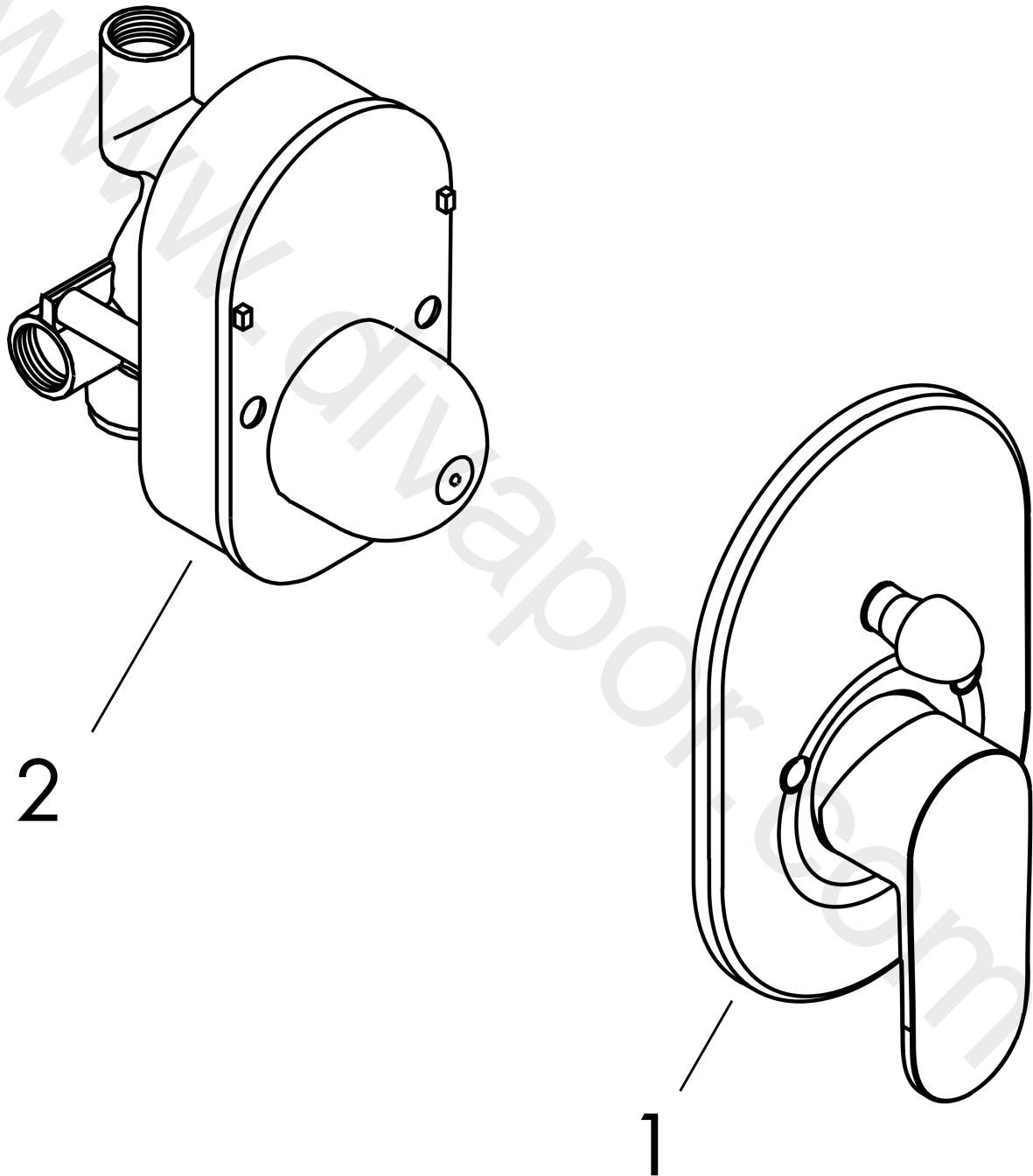


Vernis Blend
Bath mixer set for concealed installation
Finish: **Chrome** Article Number: **71473000**



Exploded Drawing

Year of production: >04/22



Vernis Blend
Bath mixer set for concealed installation
 Finish: **Chrome** Article Number: **71473000**



Spare part list

Year of production: >04/22

| Pos. | Description | Article Number | Price | PU |
|------|----------------|----------------|----------|----|
| 1 | - | 71449000 | £ 48,00 | 1 |
| 2 | concealed item | 31741180 | £ 156,00 | 1 |

www.divapor.com