

## LMH Vernis

### Bath mixer set for concealed installation

Finish: **Chrome** Article Number: **71471000**



#### Description

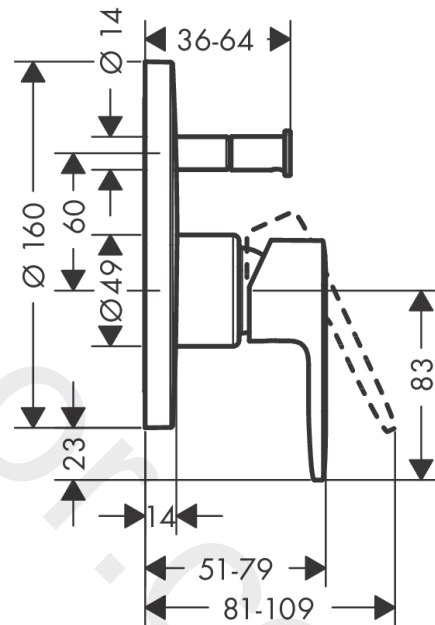
##### product features

- consists of: single lever bath mixer, basic set
- 2 functions
- maximum flow rate at 3 bar: 30 l/min
- ceramic cartridge
- temperature limitation adjustable
- diverter with automatic resetting
- suitable for continuous flow water heaters
- connection type: basic set
- wall-mounted
- min. operating pressure: 1 bar
- max. operating pressure: 10 bar

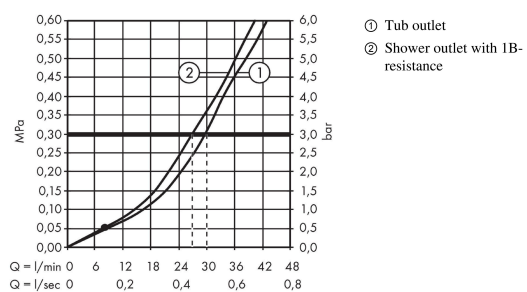
#### Product image



#### Scale drawing



#### Flowchart

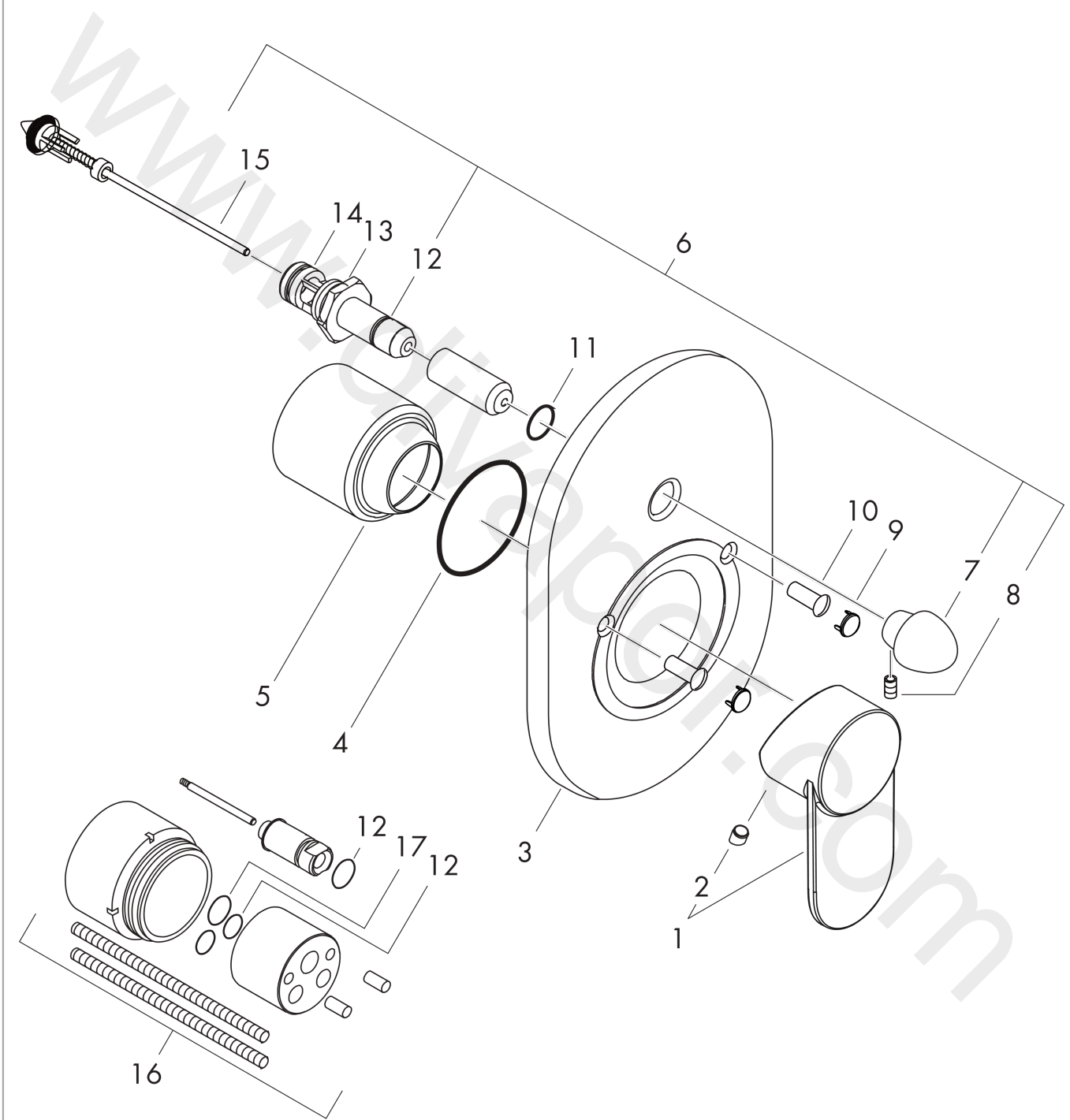


**LMH Vernis**  
**Bath mixer set for concealed installation**  
 Finish: **Chrome** Article Number: **71471000**



Exploded Drawing

Year of production: >07/21



**LMH Vernis****Bath mixer set for concealed installation**Finish: **Chrome** Article Number: **71471000****Spare part list**

Year of production: &gt;07/21

Pos.	Description	Article Number	Price	PU
1	-	94862000	£ 35,00	1
2	screw cover	96338000	£ 3,30	1
3	escutcheon bath/shower mixer	95011000	£ 51,00	1
4	O-Ring 48x3	95508000	£ 3,30	1
5	O-ring 14x3	98130000	£ 3,30	1
6	flange	96348000	£ 13,30	1
7	cover cap	95433000	£ 6,10	1
8	hollow screw	96065000	£ 6,10	1
9	diverter assy with sleeve and handle	95015000	£ 110,00	1
10	diverter knob cpl.	95013000	£ 16,10	1
11	hollow set screw M4x10	97667000	£ 3,30	1
12	O-ring 10x1,5	98123000	£ 3,30	1
13	O-ring 16x2,5	98134000	£ 3,30	1
14	O-ring 13x2	98128000	£ 3,30	1
15	selector assy	96937000	£ 20,50	1
16	extension set 28 mm tub mixer	32498000	£ 173,00	1
17	O-ring 12x1,5	98430000	£ 3,30	1