

Vernis Blend

Single lever bath mixer for concealed installation for iBox universal

Finish: **Chrome** Article Number: **71466000**



Description

product features

- 2 functions
- flow rate upper outlet: 21 l/min
- flow rate lower outlet: 29 l/min
- maximum flow rate at 3 bar: 29 l/min
- ceramic cartridge
- temperature limitation adjustable
- diverter with automatic resetting
- suitable for continuous flow water heaters
- connection type: basic set
- wall-mounted
- min. operating pressure: 1 bar
- max. operating pressure: 10 bar

Article Details

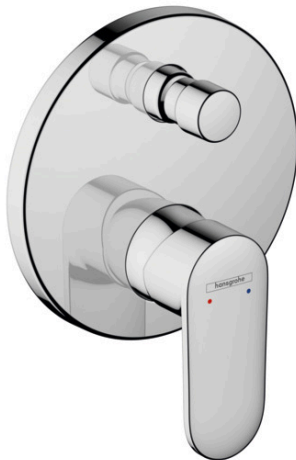
Price excl. VAT

110,83 £

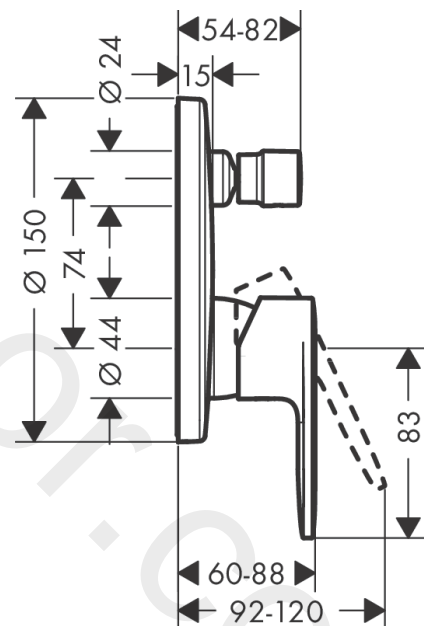
Certificates / Sustainability



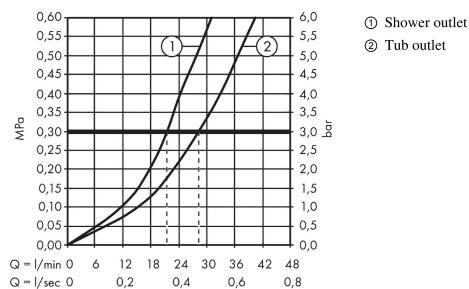
Product image



Scale drawing



Flowchart

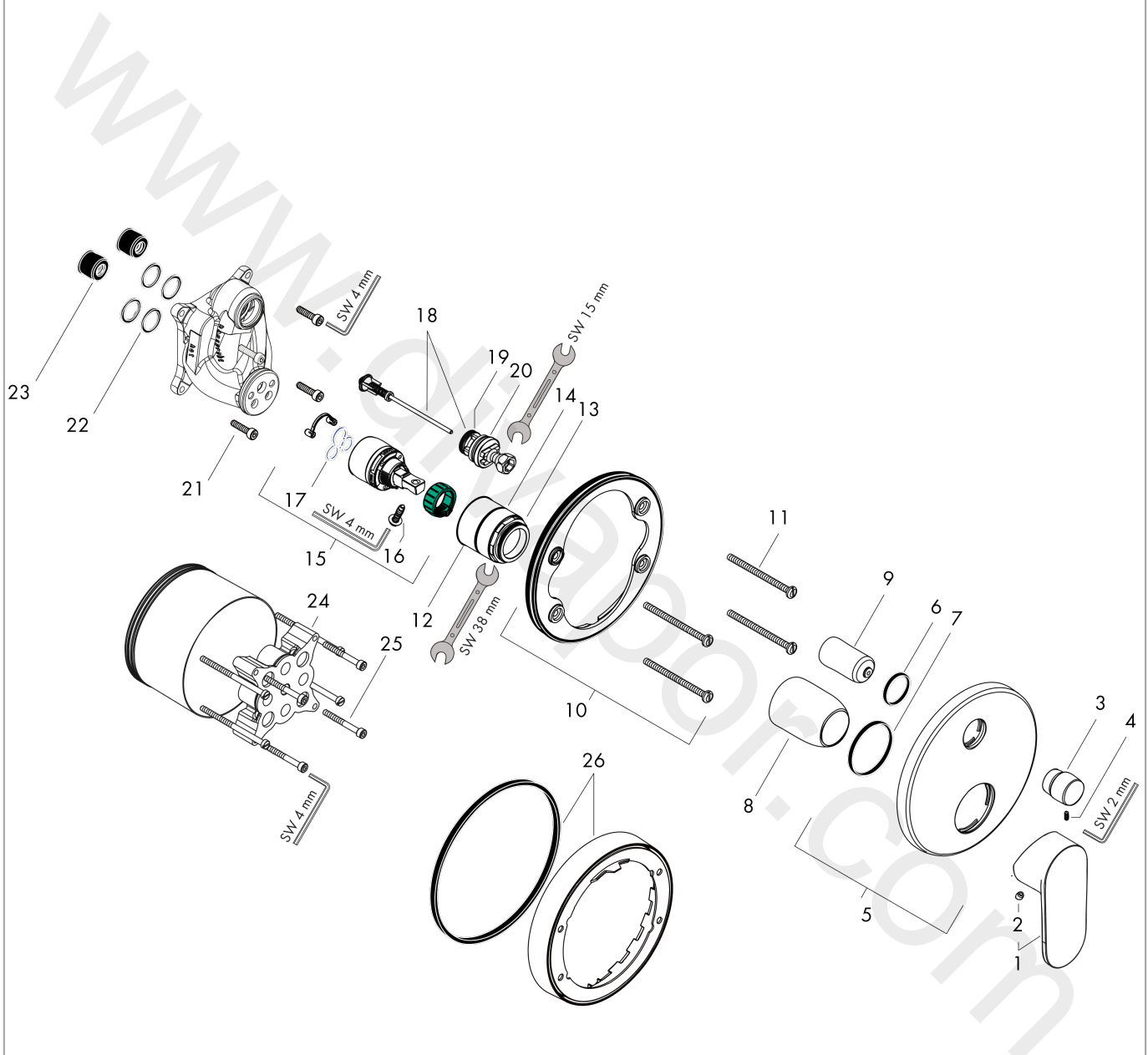


Vernis Blend
Single lever bath mixer for concealed installation for iBox universal
 Finish: **Chrome** Article Number: **71466000**



Exploded Drawing

Year of production: >04/21



Vernis Blend**Single lever bath mixer for concealed installation for iBox universal**Finish: **Chrome** Article Number: **71466000****Spare part list**

Year of production: >04/21

Pos.	Description	Article Number	Price	PU
1	handle	93715000	£ 43,00	1
2	screw cover	96338000	£ 3,30	1
3	diverter knob	98795000	£ 51,00	1
4	hollow set screw M4x10	97667000	£ 3,30	1
5	escutcheon Ø 150 mm	98791000	£ 64,00	1
6	O-ring 43x3	98418000	£ 3,30	1
7	O-ring 23x3	98142000	£ 3,30	1
8	sleeve	98790000	£ 35,00	1
9	sleeve	98794000	£ 35,00	1
10	holder for escutcheon	98793000	£ 43,00	1
11	set of fixing screws	96454000	£ 9,00	1
12	nut	98796000	£ 43,00	1
13	O-ring 30x1,5	98433000	£ 3,30	1
14	O-ring 39x1,5	98400000	£ 3,30	1
15	cartridge, assy	92730000	£ 35,00	1
16	locking screw for handle	95140000	£ 6,10	1
17	seal	95008000	£ 9,00	1
18	selector assy	95014000	£ 64,00	1
19	O-ring 16x2,3	98207000	£ 3,30	1
20	O-ring 20x2,5	92602000	£ 6,10	1
21	set of screws	96525000	£ 9,00	1
22	O-ring 16x2	98133000	£ 3,30	1
23	noise reduction	94073000	£ 25,00	1
24	extension 25 mm	13595000	£ 75,00	1
25	set of fixing screws	97747000	£ 3,30	1
26	extension 22 mm (Ø 150 mm)	13597000	£ 72,00	1