

Vernis Shape
Single lever bath and shower mixer Monotrou
 Finish: **Chrome** Article Number: **71463000**



Description

product features

- 2 functions
- projection: 95 mm
- spray type mixer: laminar spray
- maximum flow rate at 3 bar: 24 l/min
- flow rate for bath spout at 3 bar: 24 l/min
- flow rate of hand shower at 3 bar: 13,7 l/min
- ceramic cartridge
- temperature limitation adjustable
- diverter with automatic resetting
- protected against backflow, according to DIN EN 1717
- suitable for continuous flow water heaters
- connection dimension: DN15
- connection type: G 3/8 connections
- installation on bath rim
- min. operating pressure: 1 bar
- max. operating pressure: 10 bar
- WRAS 2204081
- WRAS 2204081 - Approval letter

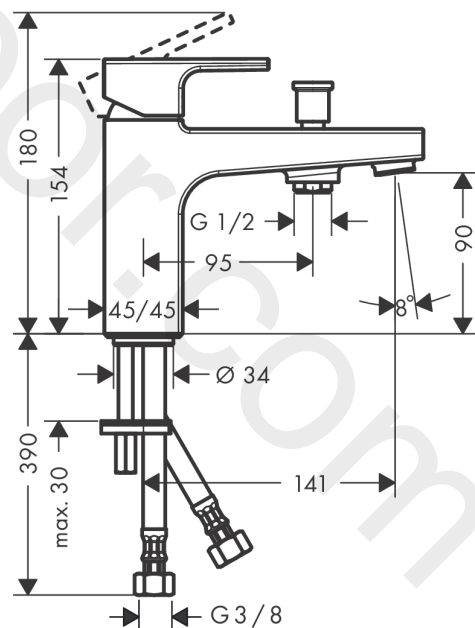
Article Details

Price excl. VAT 173,33 £

Product image



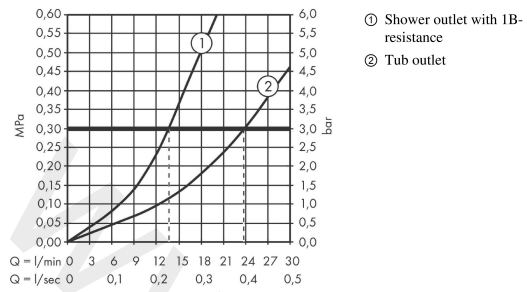
Scale drawing



Vernis Shape
Single lever bath and shower mixer Monotrou
 Finish: **Chrome** Article Number: **71463000**



Flowchart



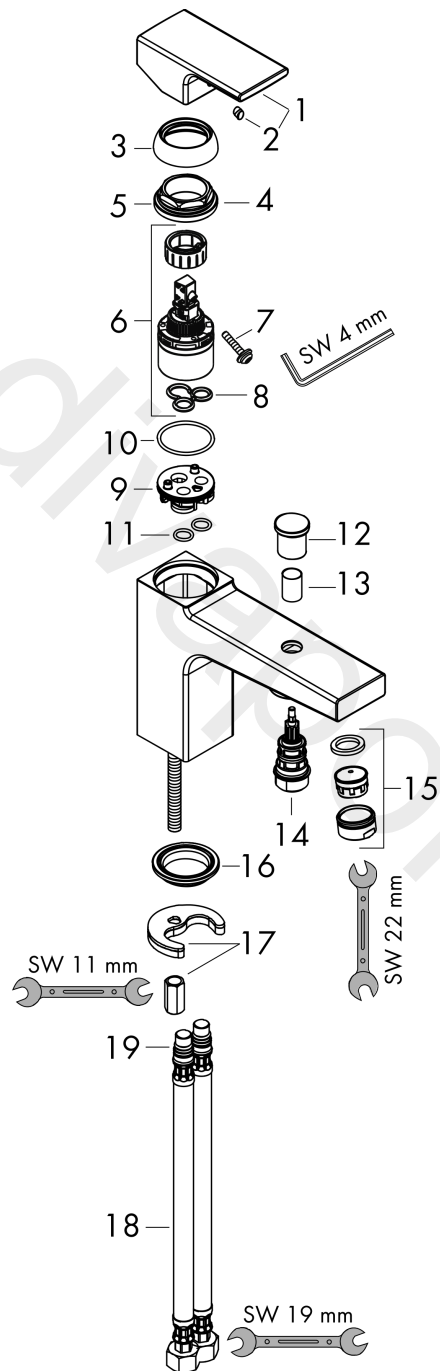
www.divapor.com

Vernis Shape
Single lever bath and shower mixer Monotrou
 Finish: **Chrome** Article Number: **71463000**



Exploded Drawing

Year of production: >04/21



Vernis Shape
Single lever bath and shower mixer Monotrou
 Finish: **Chrome** Article Number: **71463000**



Spare part list

Year of production: >04/21

Pos.	Description	Article Number	Price	PU
1	handle	93684000	£ 35,00	1
2	screw cover	96338000	£ 3,30	1
3	flange	97406000	£ 20,50	1
4	nut	95870000	£ 25,00	1
5	O-ring 33x2	98154000	£ 3,30	1
6	cartridge, assy	92730000	£ 35,00	1
7	locking screw for handle	95140000	£ 6,10	1
8	seal	95008000	£ 9,00	1
9	adapter for cartridge	97773000	£ 9,00	1
10	O-Ring 32x2	98193000	£ 3,30	1
11	O-ring 9x1,8	98118000	£ 3,30	1
12	diverter knob	93766000	-	1
13	sleeve	97979000	£ 16,10	1
14	selector	97978000	£ 64,00	1
15	aerator laminar	93649000	£ 20,50	1
16	seal Ø 42	98722000	£ 6,10	1
17	fixing set	96016000	£ 35,00	1
18	connection hose 450 mm M10x1 G3/8	96507000	£ 43,00	1
19	O-ring 8x1,75	97827000	£ 3,30	1