

**Vernis Shape**  
**2-hole rim mounted bath mixer**

Finish: **Chrome** Article Number: **71452000**



**Description**

**product features**

- 1 function
- projection: 110 mm
- centre distance: 180 mm
- maximum flow rate at 3 bar: 50 l/min
- ceramic valves hot/cold 90°
- operating pressure from 0.2 bar
- connection dimension: DN20
- connection type: G 3/4
- installation on bath rim
- min. operating pressure: 1 bar
- max. operating pressure: 10 bar
- WRAS 2204080
- WRAS 2204080 - Approval letter

**Article Details**

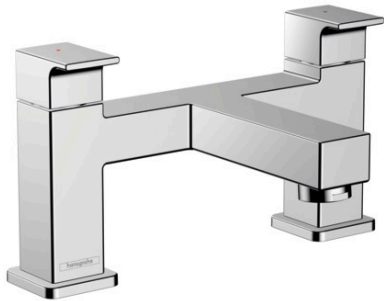
Price excl. VAT

180,00 £

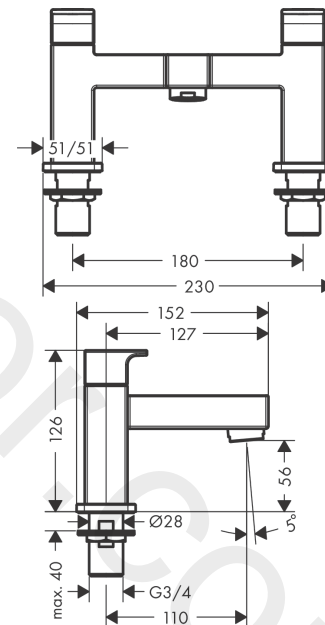
**Certificates / Sustainability**



**Product image**



**Scale drawing**

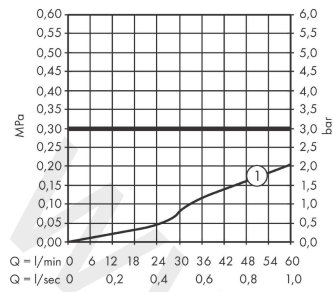


**Vernis Shape**  
**2-hole rim mounted bath mixer**

Finish: **Chrome** Article Number: **71452000**



**Flowchart**



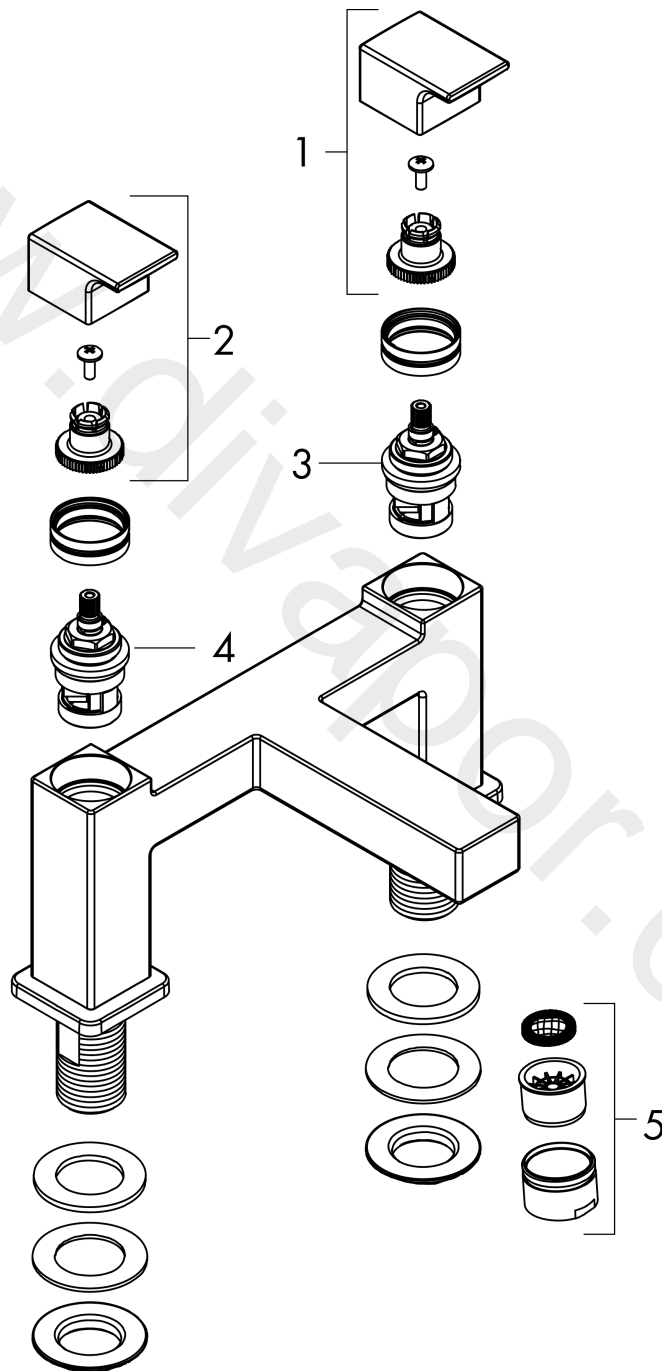
Q = l/min 0 6 12 18 24 30 36 42 48 54 60  
 Q = l/sec 0 0,2 0,4 0,6 0,8 1,0

Vernis Shape  
2-hole rim mounted bath mixer  
Finish: **Chrome** Article Number: **71452000**



Exploded Drawing

Year of production: >04/21



**Vernis Shape**  
**2-hole rim mounted bath mixer**  
 Finish: **Chrome** Article Number: **71452000**



**Spare part list**

Year of production: >04/21

Pos.	Description	Article Number	Price	PU
1	handle for cold water	93953000	-	1
2	handle for hot water	93952000	-	1
3	shut off unit left closing	93945000	£ 43,00	1
4	shut off unit right closing	93944000	£ 43,00	1
5	aerator cpl.	93950000	£ 25,00	1

www.divapor.com