

Vernis Blend

2-hole rim mounted bath mixer

Finish: **Matt Black** Article Number: **71442670**



Description

product features

- 1 function
- projection: 110 mm
- centre distance: 180 mm
- maximum flow rate at 3 bar: 50 l/min
- ceramic valves hot/cold 90°
- operating pressure from 0.2 bar
- connection dimension: DN20
- connection type: G 3/4
- installation on bath rim
- min. operating pressure: 1 bar
- max. operating pressure: 10 bar
- WRAS 2204079
- WRAS 2204079 - Approval letter

Article Details

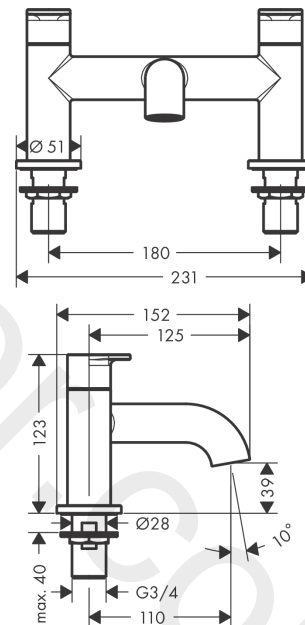
Price excl. VAT

210,00 £

Product image



Scale drawing

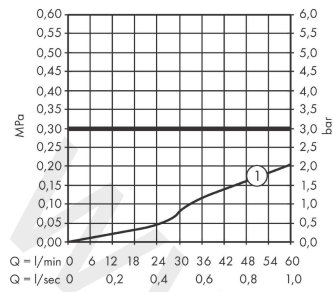


Vernis Blend
2-hole rim mounted bath mixer

Finish: **Matt Black** Article Number: **71442670**



Flowchart



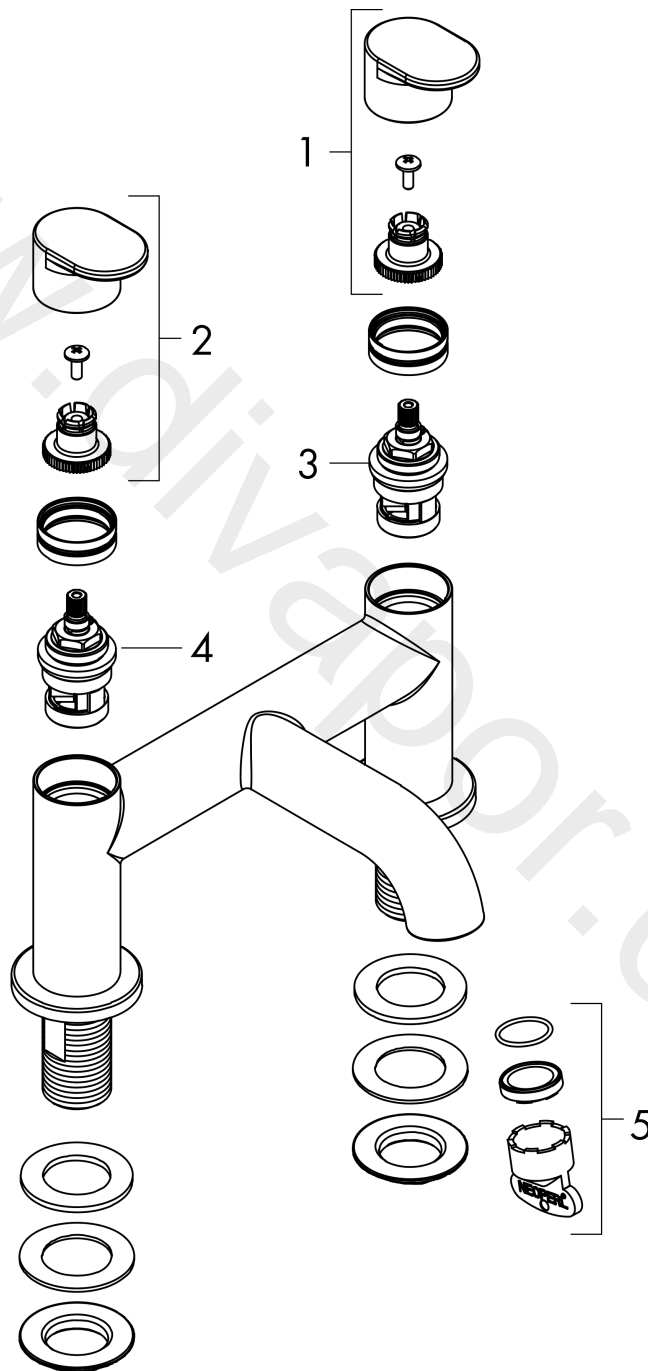
Q = l/min 0 6 12 18 24 30 36 42 48 54 60
 Q = l/sec 0 0,2 0,4 0,6 0,8 1,0

Vernis Blend
2-hole rim mounted bath mixer
 Finish: **Matt Black** Article Number: **71442670**



Exploded Drawing

Year of production: >04/21



Vernis Blend
2-hole rim mounted bath mixer
 Finish: **Matt Black** Article Number: **71442670**



Spare part list

Year of production: >04/21

Pos.	Description	Article Number	Price	PU
1	handle for cold water	93943670	-	1
2	handle for hot water	93942670	-	1
3	shut off unit left closing	93945000	£ 43,00	1
4	shut off unit right closing	93944000	£ 43,00	1
5	aerator cpl.	93947000	-	1

www.divapor.com