

Vernis Blend
Single lever bath mixer for exposed installation
 Finish: **Chrome** Article Number: **71440003**



Description

product features

- 2 functions
- projection: 171 mm
- spray type mixer: normal spray
- maximum flow rate at 3 bar: 22,5 l/min
- flow rate for bath spout at 3 bar: 22,5 l/min
- flow rate of hand shower at 3 bar: 15,7 l/min
- ceramic cartridge
- temperature limitation adjustable
- diverter with automatic resetting
- suitable for continous flow water heaters
- connection dimension: DN15
- connection type: s-shaped connections
- wall-mounted

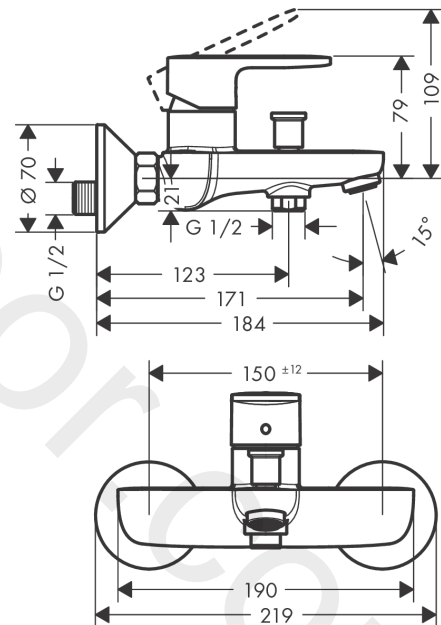
Technology



Product image



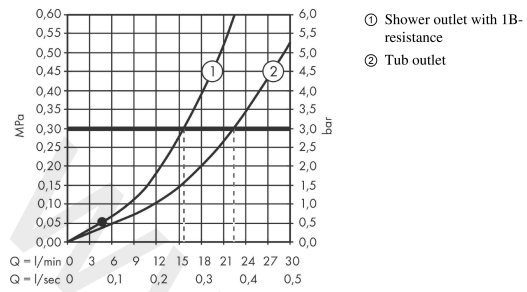
Scale drawing



Vernis Blend
Single lever bath mixer for exposed installation
 Finish: **Chrome** Article Number: **71440003**



Flowchart



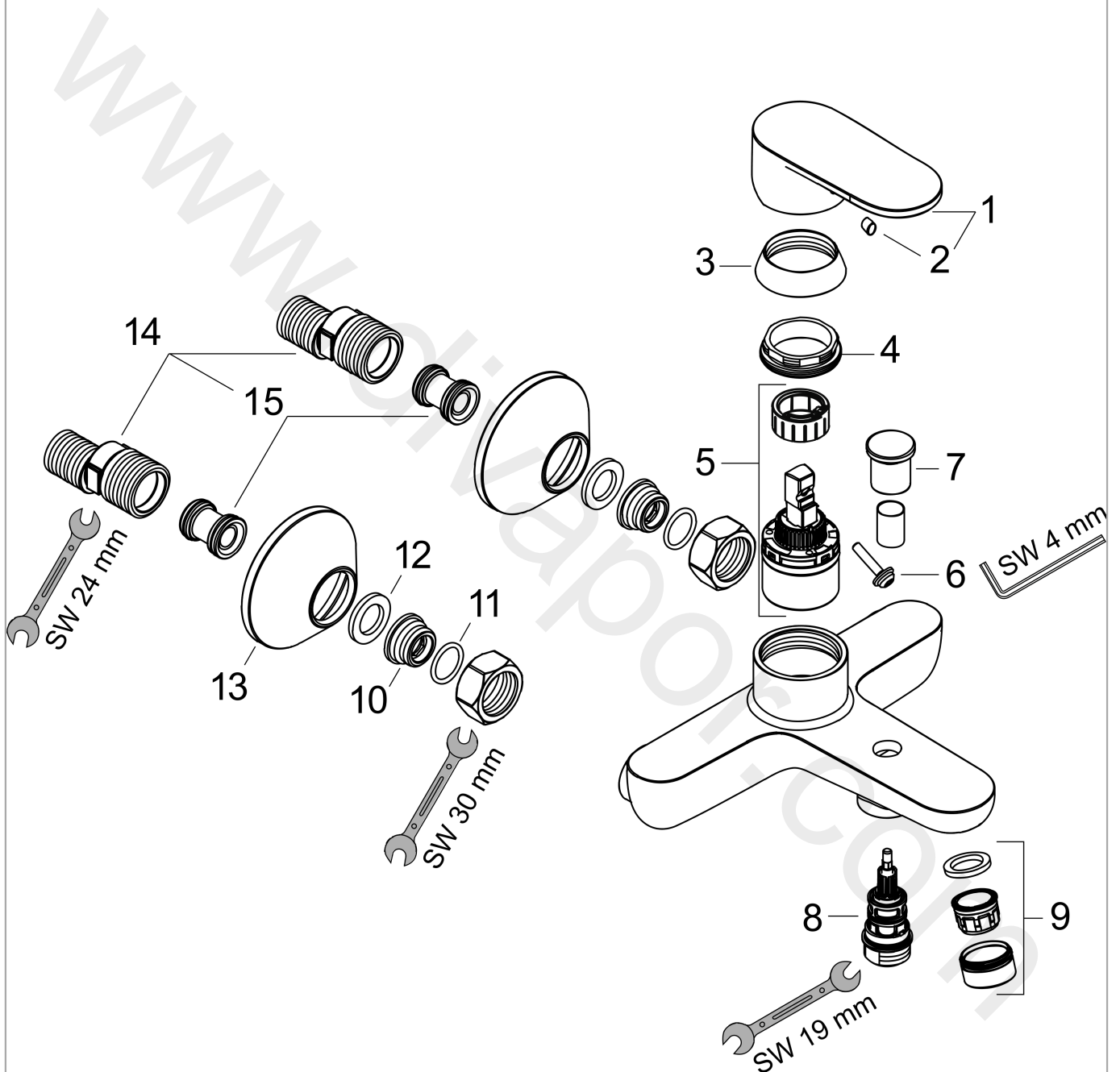
www.divapor.com

Vernis Blend
Single lever bath mixer for exposed installation
 Finish: **Chrome** Article Number: **71440003**



Exploded Drawing

Year of production: >04/21



Vernis Blend
Single lever bath mixer for exposed installation
 Finish: **Chrome** Article Number: **71440003**



Spare part list

Year of production: >04/21

Pos.	Description	Article Number	Price	PU
1	handle	93715000	£ 43,00	1
2	screw cover	96338000	£ 3,30	1
3	flange	93716000	-	1
4	nut	93717000	-	1
5	cartridge, assy	92730000	£ 35,00	1
6	locking screw for handle	95140000	£ 6,10	1
7	diverter knob	93766000	-	1
8	selector	97978000	£ 64,00	1
9	aerator M24x1 (38 l/min)	92513000	£ 13,30	1
10	connecting thread G½	93767000	£ 9,00	1
11	O-ring 16x2	98133000	£ 3,30	1
12	filter packing	96922000	£ 9,00	1
13	escutcheon Ø 70 mm	93718000	£ 13,30	1
14	set of S-unions (±12 mm)	94140000	£ 51,00	1
15	noise reduction	96429000	£ 6,10	1