

Vernis Blend

Bath spout

Finish: **Matt Black**

Article Number: **71420677**



Description

product features

- with escutcheon
- projection: 204 mm
- wall-mounted
- maximum flow rate at 3 bar: 21,7 l/min
- connection dimension: G 1/2
- spray type: normal spray

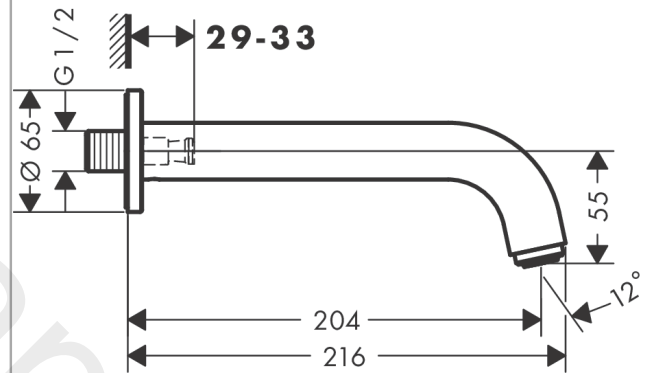
Technology



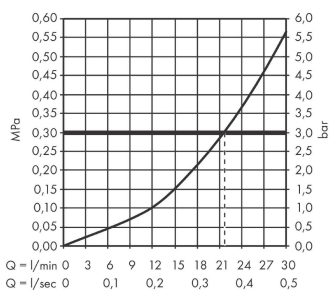
Product image



Scale drawing



Flowchart



The consumption was measured in combination with the appropriate fittings (thermostat/mixer/ in-wall valve) to reflect actual application in practice.

Vernis Blend

Bath spout

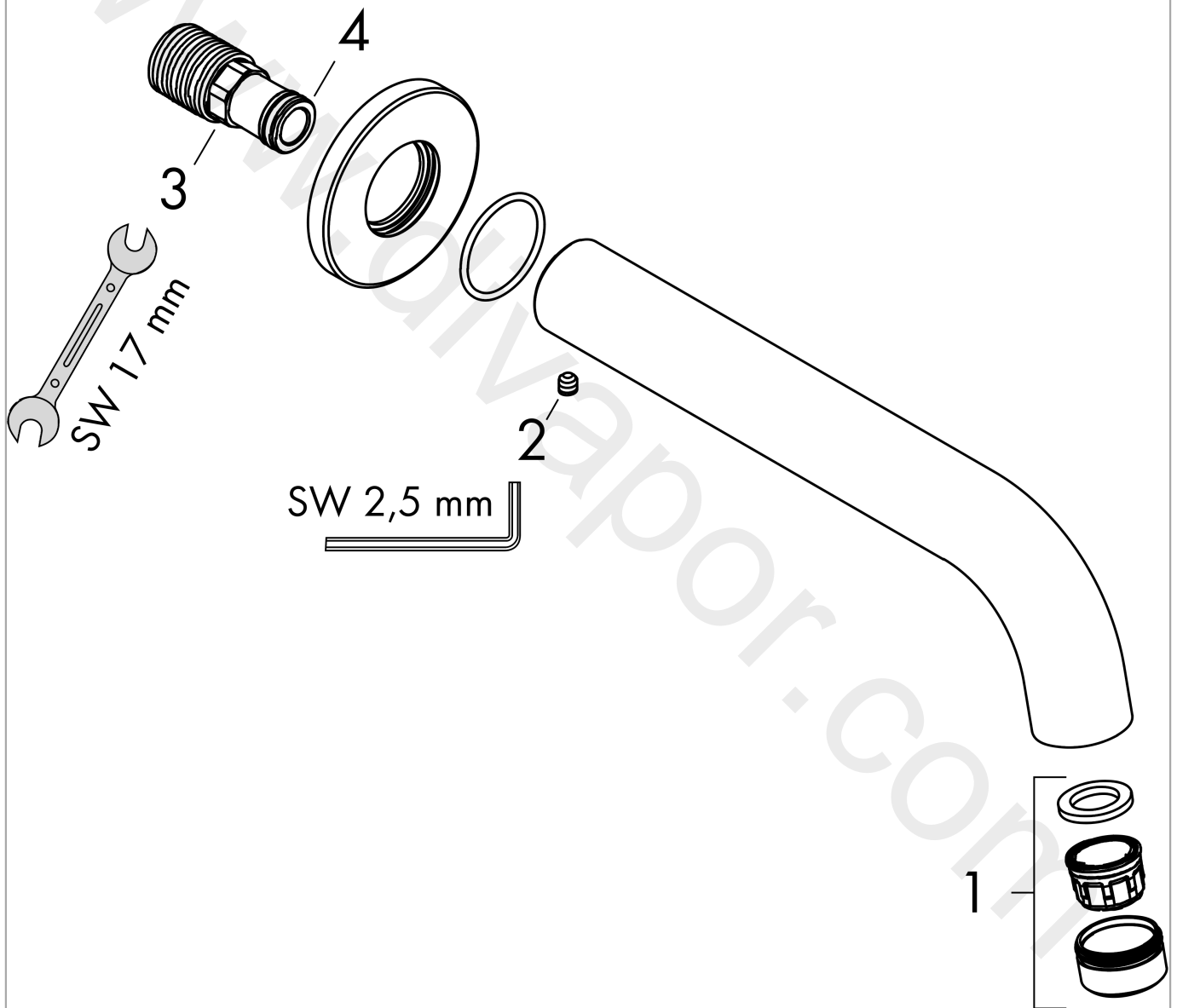
Finish: **Matt Black**

Article Number: **71420677**



Exploded Drawing

Year of production: >04/21



Vernis Blend

Bath spout

Finish: **Matt Black** Article Number: **71420677**



Spare part list

Year of production: >04/21

Pos.	Description	Article Number	Price	PU
1	aerator M24x1 (38 l/min)	92513670	£ 19,80	1
2	hollow set screw M5x5	98446000	£ 3,30	1
3	O-ring 13x2	98128000	£ 3,30	1
4	connecting thread G½	93726000	£ 20,50	1

www.divapor.com