

**Logis E**  
**Single lever bath mixer for exposed installation**  
 Finish: **Chrome** Article Number: **71403000**



### Description

**product features**

- 2 functions
- projection: 180 mm
- centre distance: 150 ± 12 mm
- spray type mixer: normal spray
- maximum flow rate at 3 bar: 20 l/min
- flow rate for bath spout at 3 bar: 20 l/min
- flow rate of hand shower at 3 bar: 17 l/min
- ceramic cartridge
- temperature limitation adjustable
- diverter with automatic resetting
- non-return valve
- with silencer
- suitable for continuous flow water heaters
- connection dimension: DN15
- connection type: s-shaped connections
- wall-mounted
- min. operating pressure: 1 bar
- max. operating pressure: 10 bar

### Article Details

Price excl. VAT 133,33 £

### Technology



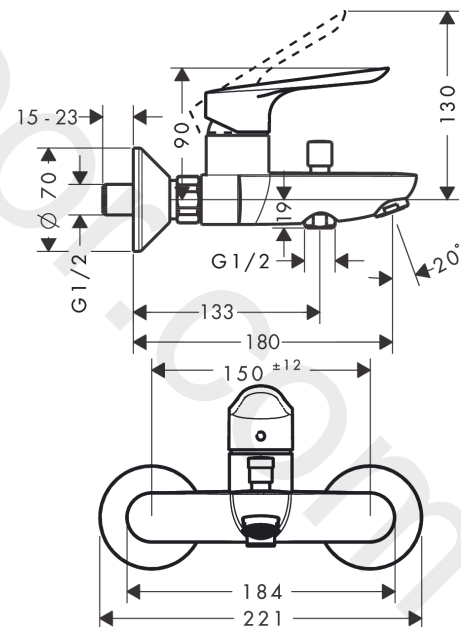
### Certificates / Sustainability



### Product image



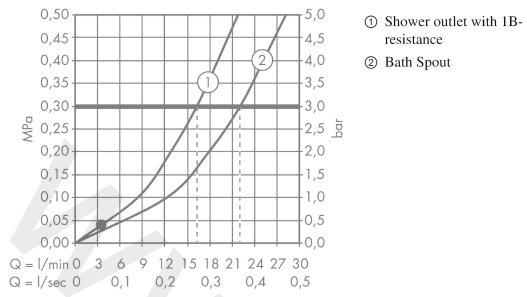
### Scale drawing



**Logis E**  
**Single lever bath mixer for exposed installation**  
 Finish: **Chrome** Article Number: **71403000**



**Flowchart**



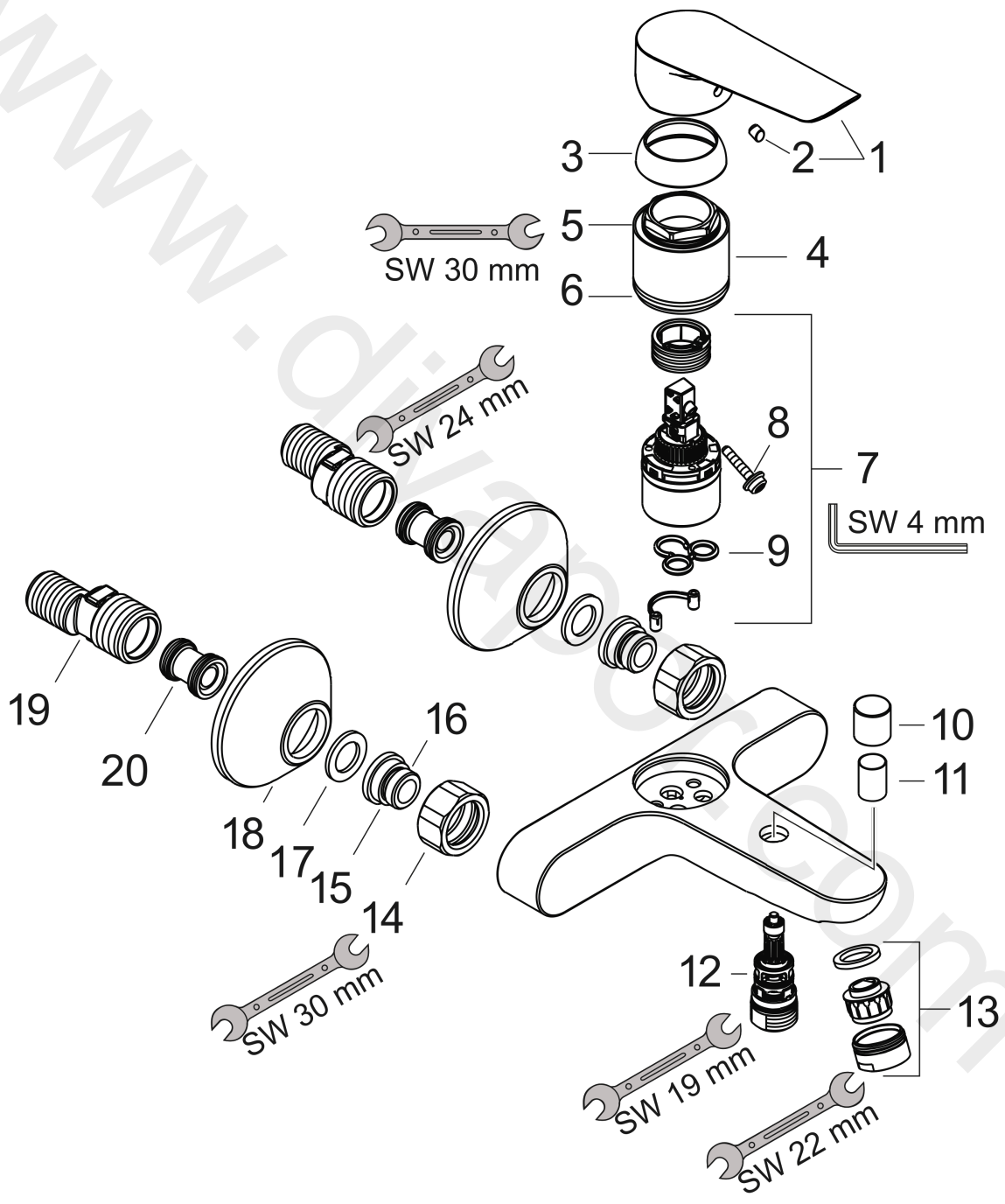
www.divapor.com

**Logis E**  
**Single lever bath mixer for exposed installation**  
 Finish: **Chrome** Article Number: **71403000**



**Exploded Drawing**

Year of production: >04/17



## Logis E

Single lever bath mixer for exposed installation

Finish: **Chrome** Article Number: **71403000**



### Spare part list

Year of production: >04/17

Pos.	Description	Article Number	Price	PU
1	handle	93024000	£ 51,00	1
2	screw cover	96338000	£ 3,30	1
3	flange	97406000	£ 20,50	1
4	nut	97977000	£ 43,00	1
5	O-Ring 32x2	98193000	£ 3,30	1
6	O-ring 33x1,5	98164000	£ 3,30	1
7	cartridge, assy	92730000	£ 35,00	1
8	locking screw for handle	95140000	£ 6,10	1
9	seal	95008000	£ 9,00	1
10	diverter knob	97981000	£ 20,50	1
11	sleeve	97979000	£ 16,10	1
12	selector	97978000	£ 64,00	1
13	aerator M24x1 (30 l/min)	96512000	£ 16,10	1
14	set of nuts	96157000	£ 35,00	1
15	connecting thread	97220000	£ 16,10	1
16	O-ring 15x2	98163000	£ 3,30	1
17	filter packing	96922000	£ 9,00	1
18	escutcheon Ø 70 mm	94135000	£ 13,30	1
19	set of S-unions (±12 mm)	94140000	£ 51,00	1
20	noise reduction	96429000	£ 6,10	1