

Logis

Single lever bath mixer for exposed installation with 2 flow rates

Finish: **Chrome** Article Number: **71401000**



Description

product features

- 2 functions
- projection: 194 mm
- centre distance: 150 ± 12 mm
- spray type mixer: normal spray
- maximum flow rate at 3 bar: 22 l/min
- ceramic cartridge with Eco handle position for 2 flow rates
- temperature limitation adjustable
- diverter with automatic resetting
- non-return valve
- with silencer
- suitable for continuous flow water heaters
- connection dimension: DN15
- connection type: s-shaped connections
- wall-mounted
- no additional maintenance opening required

Article Details

Price excl. VAT

135,00 £

Technology



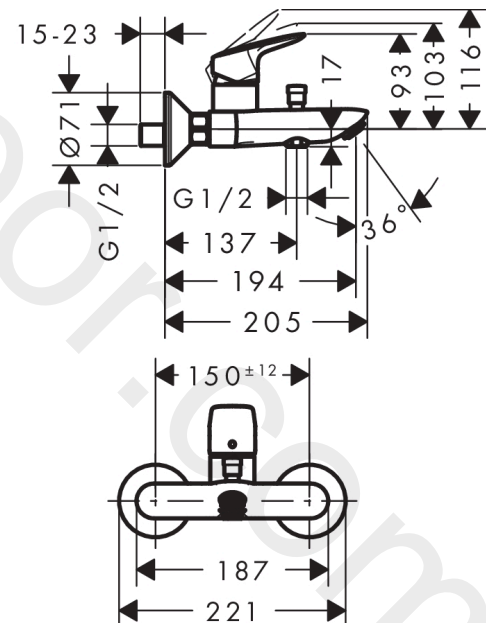
Certificates / Sustainability



Product image



Scale drawing



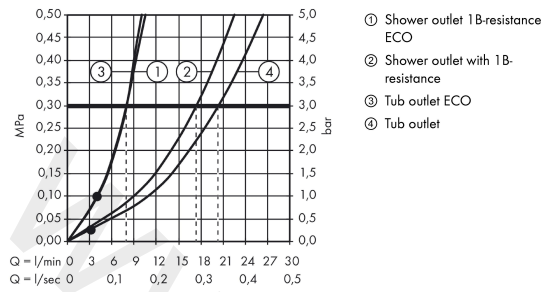
Logis

Single lever bath mixer for exposed installation with 2 flow rates

Finish: **Chrome** Article Number: **71401000**



Flowchart



Logis

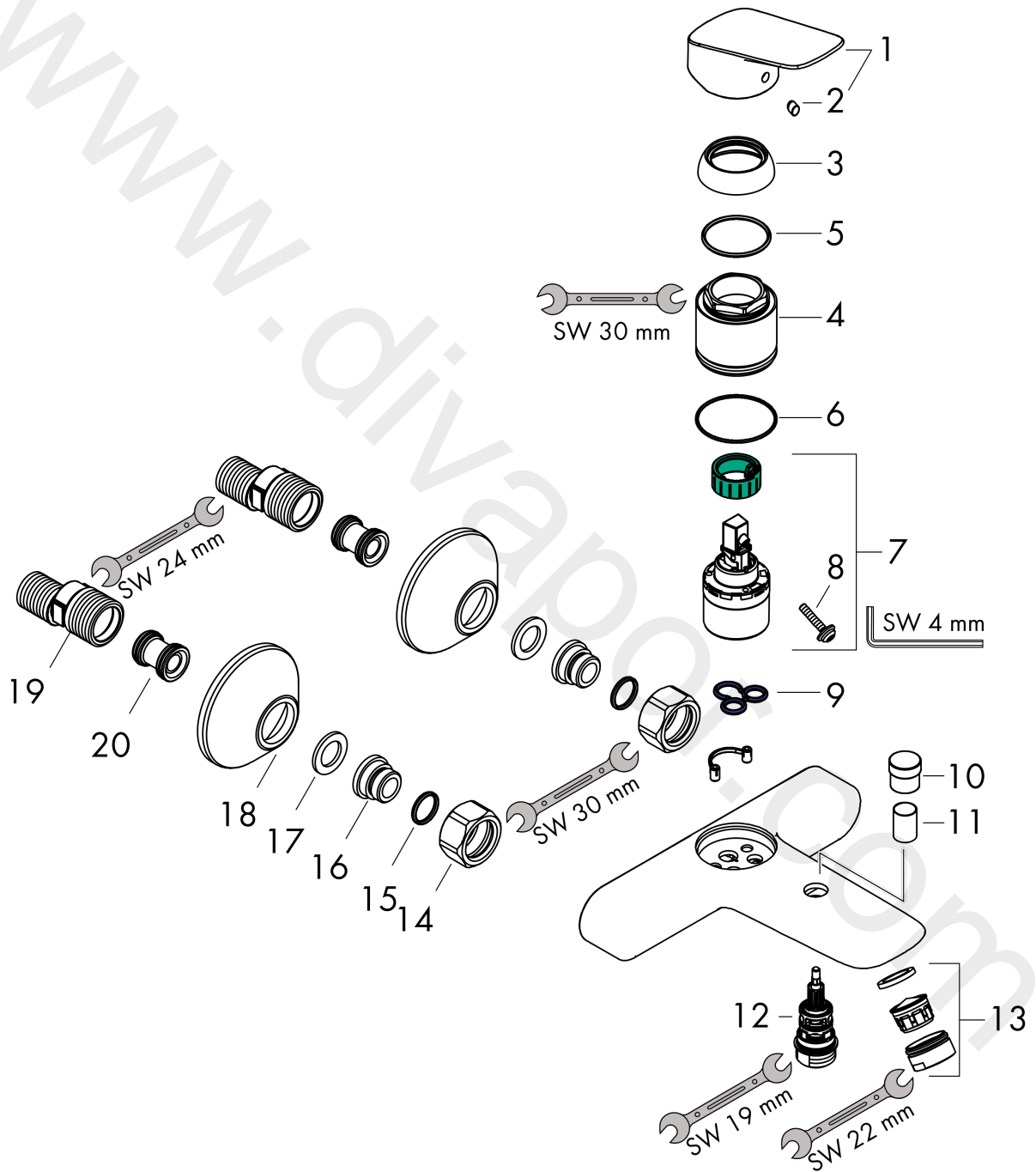
Single lever bath mixer for exposed installation with 2 flow rates

Finish: **Chrome** Article Number: **71401000**



Exploded Drawing

Year of production: >07/14



Logis**Single lever bath mixer for exposed installation with 2 flow rates**Finish: **Chrome** Article Number: **71401000****Spare part list**

Year of production: >07/14

Pos.	Description	Article Number	Price	PU
1	handle	92224000	£ 51,00	1
2	screw cover	96338000	£ 3,30	1
3	flange	97406000	£ 20,50	1
4	nut	97977000	£ 43,00	1
5	O-Ring 32x2	98193000	£ 3,30	1
6	O-ring 40x1,5	98464000	£ 3,30	1
7	cartridge, assy	95730000	£ 43,00	1
8	locking screw for handle	95140000	£ 6,10	1
9	seal	95008000	£ 9,00	1
10	diverter knob	97981000	£ 20,50	1
11	sleeve	97979000	£ 16,10	1
12	selector	97978000	£ 64,00	1
13	aerator M24x1 (30 l/min)	96512000	£ 16,10	1
14	set of nuts	96157000	£ 35,00	1
15	O-ring 15x2	98163000	£ 3,30	1
16	connecting thread	97220000	£ 16,10	1
17	filter packing	96922000	£ 9,00	1
18	escutcheon Ø 70 mm	94135000	£ 13,30	1
19	set of S-unions (±12 mm)	94140000	£ 51,00	1
20	noise reduction	96429000	£ 6,10	1
a	set of S-unions (±32 mm)	98592000	£ 43,00	1