

Logis M32

2-handle kitchen mixer 220, EcoSmart, 1jet

Finish: **Chrome** Article Number: **71283000**



Description

product features

- ComfortZone 220
- swivel range adjustable in 3 steps 110°, 150° or 360°
- normal spray
- connection dimension: DN15
- maximum flow rate at 3 bar: 4,6 l/min
- ceramic valves 90°
- connection type: G 3/8 connections
- suitable for continuous flow water heaters
- EU taxonomy: max. 6 l/min - Substantial Contribution (SC) possible
- WRAS 2003052
- WRAS 2003052 - WRAS Approval Letter

Article Details

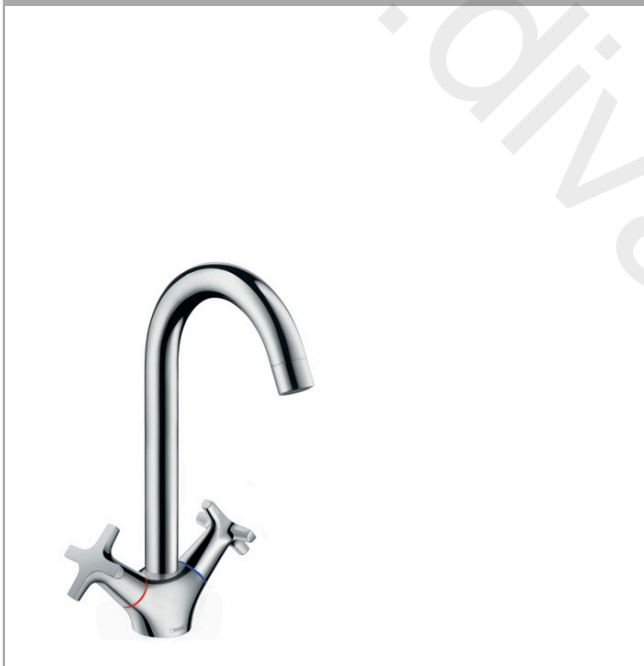
Price excl. VAT

229,17 £

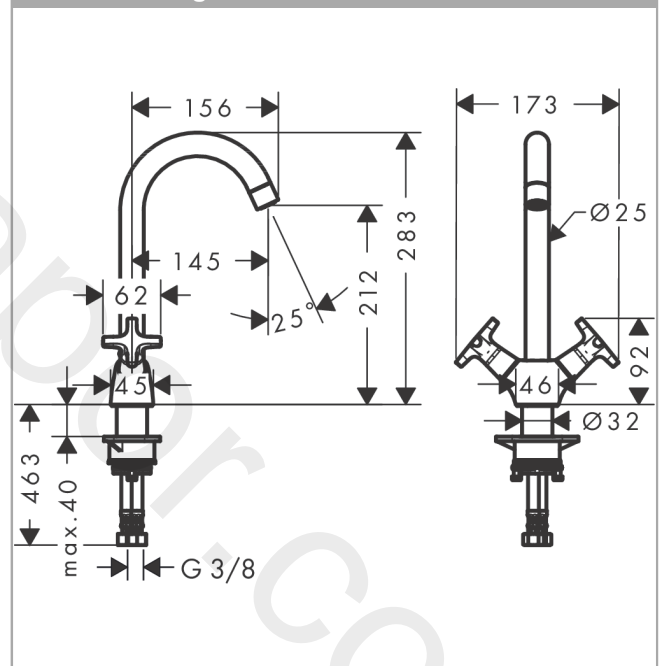
Technology



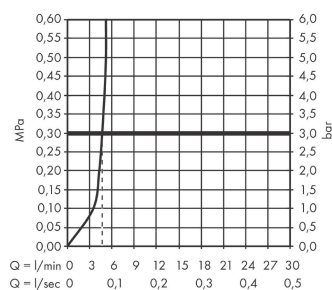
Product image



Scale drawing



Flowchart

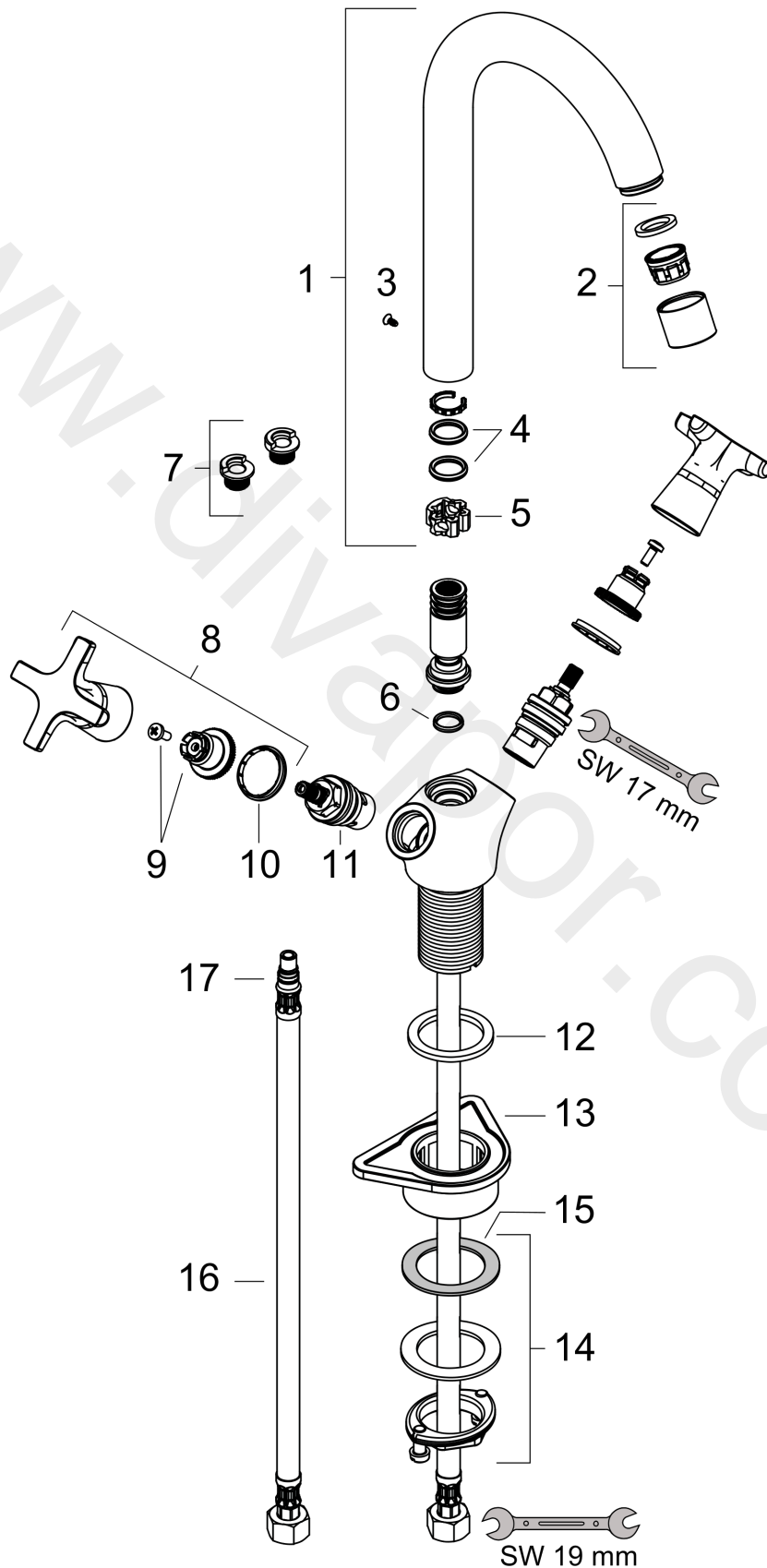


Logis M32
2-handle kitchen mixer 220, EcoSmart, 1jet
 Finish: **Chrome** Article Number: **71283000**



Exploded Drawing

Year of production: >04/20



Logis M32**2-handle kitchen mixer 220, EcoSmart, 1jet**Finish: **Chrome** Article Number: **71283000****Spare part list**

Year of production: >04/20

Pos.	Description	Article Number	Price	PU
1	spout cpl.	92223000	£ 96,00	1
2	aerator M22x1 (5 l/min)	92376000	£ 51,00	1
3	screw	97662000	£ 9,00	1
4	O-Ring 14x2,5	98189000	£ 3,30	1
5	axialring	97558000	£ 3,30	1
6	O-ring 12x2	98214000	£ 3,30	1
7	set of locating rings (110° / 150°)	98486000	£ 16,10	1
8	handle	92222000	£ 64,00	1
9	handle fixing set	98932000	£ 16,10	1
10	set of color-rings cold / hot water	92225000	£ 6,10	1
11	shut off unit right closing	94009000	£ 43,00	1
12	flat seal	98749000	£ 6,10	1
13	support	97523000	£ 6,10	1
14	fixing set (Ø 32)	13961000	£ 25,00	1
15	lever collar	97548000	£ 3,30	1
16	connection hose 600 mm M8x0,75 G3/8	96556000	£ 25,00	1
17	O-ring 7x1,5	98422000	£ 3,30	1
a	set of adapters	93395000	£ 25,00	1
b	fixation extension 35 mm	13898000	£ 79,00	1