

Logis E
3-hole basin mixer 100 with pop-up waste set
 Finish: **Chrome** Article Number: **71163000**



Description

product features

- consists of: 3-hole basin mixer, waste set
- ComfortZone 100
- spout height: 101 mm
- handle variant: lever handle
- spray type: normal spray
- maximum flow rate at 3 bar: 5 l/min
- ceramic valves hot/cold 90°
- suitable for continuous flow water heaters
- pop-up waste set G 1¼
- material waste set: synthetic
- connection type: G ¾ connections
- connection dimension: DN15

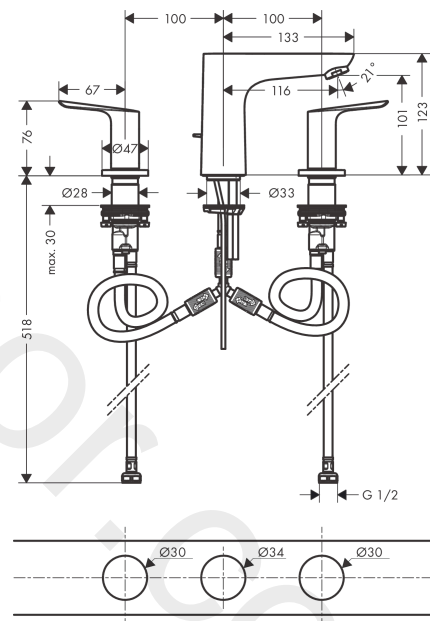
Technology



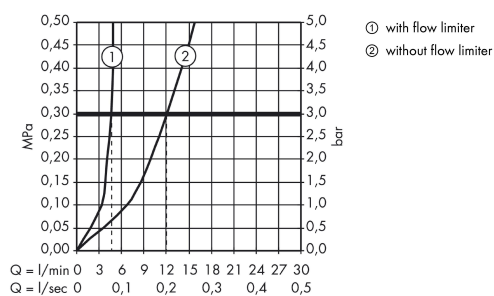
Product image



Scale drawing



Flowchart

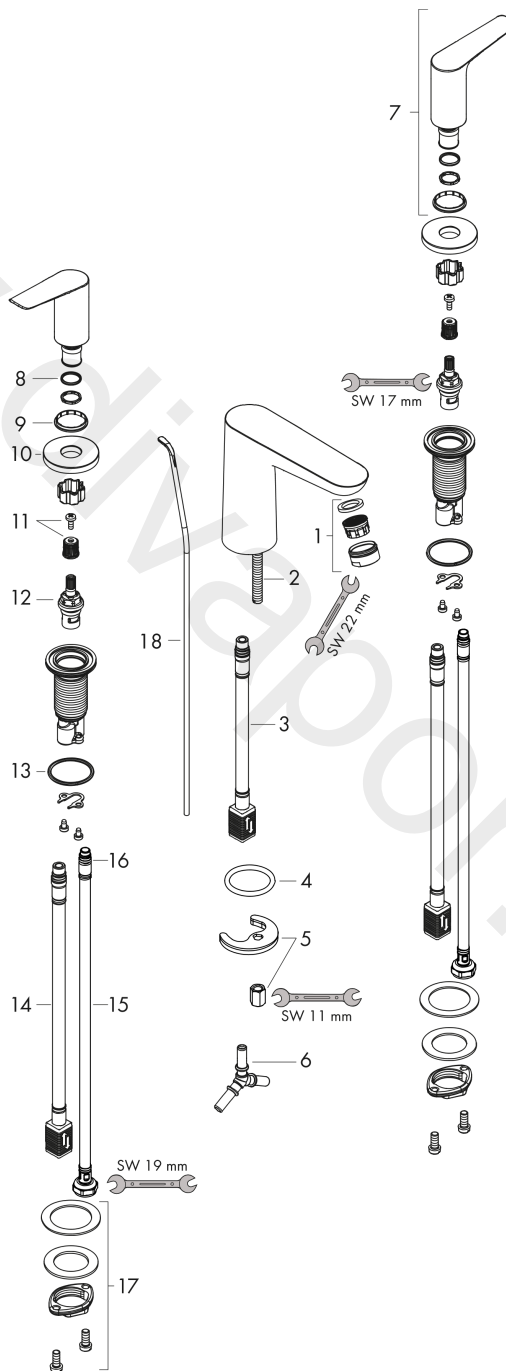


Logis E
3-hole basin mixer 100 with pop-up waste set
 Finish: **Chrome** Article Number: **71163000**



Exploded Drawing

Year of production: >01/19



Logis E**3-hole basin mixer 100 with pop-up waste set**Finish: **Chrome** Article Number: **71163000****Spare part list**

Year of production: >01/19

Pos.	Description	Article Number	Price	PU
1	aerator M24x1 (5 l/min)	92372000	-	1
2	screw M8 x 68	97736000	-	1
3	connection hose 200 mm M10x1	92913000	-	1
4	O-ring 34x3	98069000	-	1
5	fixing set (Ø 28)	92909000	-	1
6	hose connection angel	92905000	-	1
7	handle	93049000	-	1
8	O-Ring 14x1,5	98201000	-	1
9	set of color-rings cold / hot water	95819000	-	1
10	escutcheon for handle	92956000	-	1
11	handle fixing set	98932000	-	1
12	shut off unit left closing	95366000	-	1
13	O-ring 33x2,5	92907000	-	1
14	connection hose 450 mm M8x0,75 G3/8	97206000	-	1
15	O-ring 6,6x1,6	93019000	-	1
16	connection hose 400 mm M10x1	92914000	-	1
17	fixing set	96016000	-	1
18	pull rod	96657000	-	1
a	pop up waste	92168000	-	1