

Novus

3-hole basin mixer 100 with pop-up waste set

Finish: **Chrome** Article Number: **71140000**



Description

product features

- consists of: 3-hole basin mixer, waste set
- ComfortZone 100
- projection: 118 mm
- spout height: 99 mm
- maximum flow rate at 3 bar: 5 l/min
- ceramic valves hot/cold 90°
- suitable for continuous flow water heaters
- pop-up waste set G 1¼
- material waste set: metal
- connection type: G ¾ connections
- connection dimension: DN15

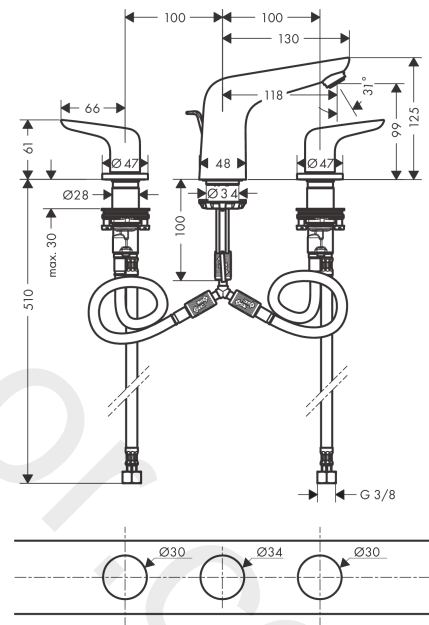
Technology



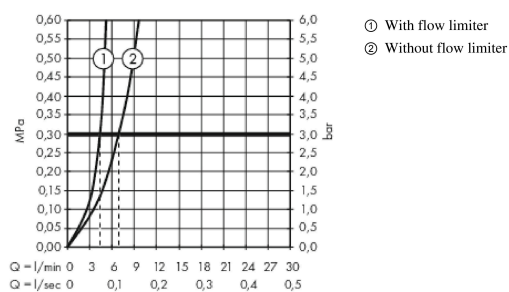
Product image



Scale drawing



Flowchart

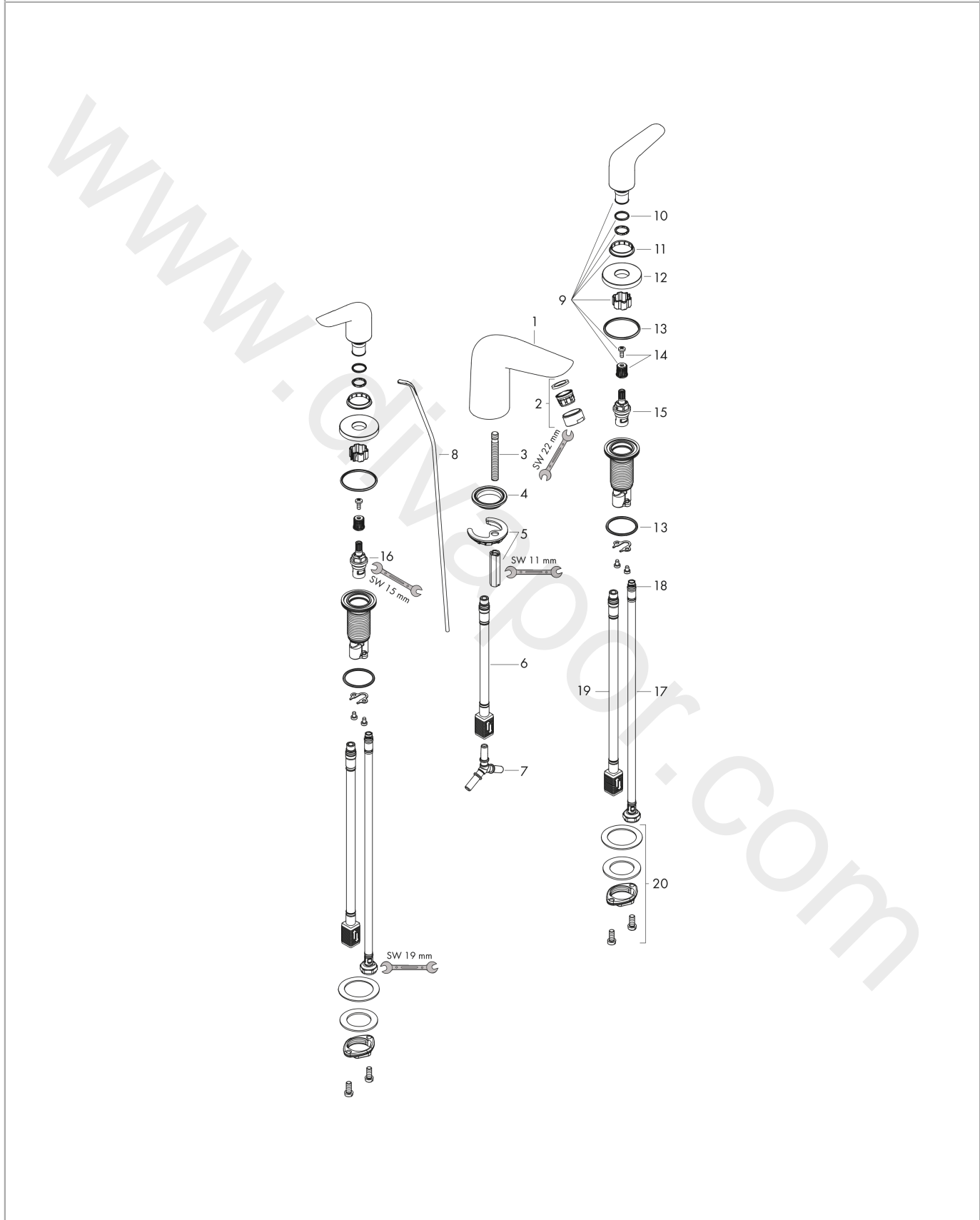


Novus
3-hole basin mixer 100 with pop-up waste set
 Finish: **Chrome** Article Number: **71140000**



Exploded Drawing

Year of production: >10/17



Novus**3-hole basin mixer 100 with pop-up waste set**Finish: **Chrome** Article Number: **71140000****Spare part list**

Year of production: >10/17

Pos.	Description	Article Number	Price	PU
1	spout cpl.	93198000	£ 110,00	1
2	aerator M24x1 (5 l/min)	13185000	£ 22,30	1
3	screw M8 x 68	97736000	£ 6,10	1
4	seal Ø 42	98722000	£ 6,10	1
5	fixing set	96016000	£ 35,00	1
6	connection hose 200 mm M10x1	92913000	£ 51,00	1
7	hose connection angel	92905000	£ 43,00	1
8	pull rod	96657000	£ 13,30	1
9	handle	93199000	£ 51,00	1
10	O-Ring 14x1,5	98201000	£ 3,30	1
11	set of color-rings cold / hot water	95819000	£ 13,30	1
12	escutcheon for handle	92956000	£ 35,00	1
13	O-ring 33x2,5	92907000	£ 3,30	1
14	handle fixing set	98932000	£ 16,10	1
15	shut off unit left closing	95366000	£ 43,00	1
16	shut off unit right closing	98817000	£ 35,00	1
17	connection hose 450 mm M8x0,75 G3/8	97206000	£ 35,00	1
18	O-ring 6,6x1,6	93019000	£ 3,30	1
19	connection hose 400 mm M10x1	92914000	£ 64,00	1
20	fixing set (Ø 28)	92909000	£ 43,00	1
a	pop up waste	94139000	£ 96,00	1