

Novus

Single lever basin mixer for concealed installation wall-mounted with spout 19,5 cm

Finish: **Chrome** Article Number: **71127000**



Description

product features

- consists of: single lever basin mixer for concealed installation wall-mounted, waste set
- projection: 194 mm
- handle variant: lever handle
- spray type: normal spray
- maximum flow rate at 3 bar: 5 l/min
- ceramic cartridge
- temperature limitation adjustable
- suitable for continuous flow water heaters
- non-closing waste set
- material waste set: metal
- connection type: basic set
- connection dimension: DN15
- handle can be positioned on the right or left, depending on the basic set installation

Technology



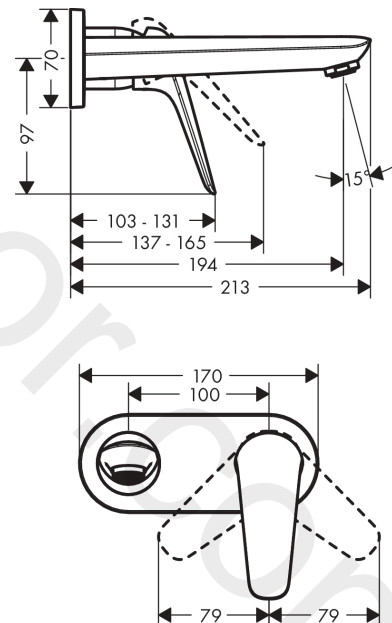
Certificates / Sustainability



Product image



Scale drawing



Novus

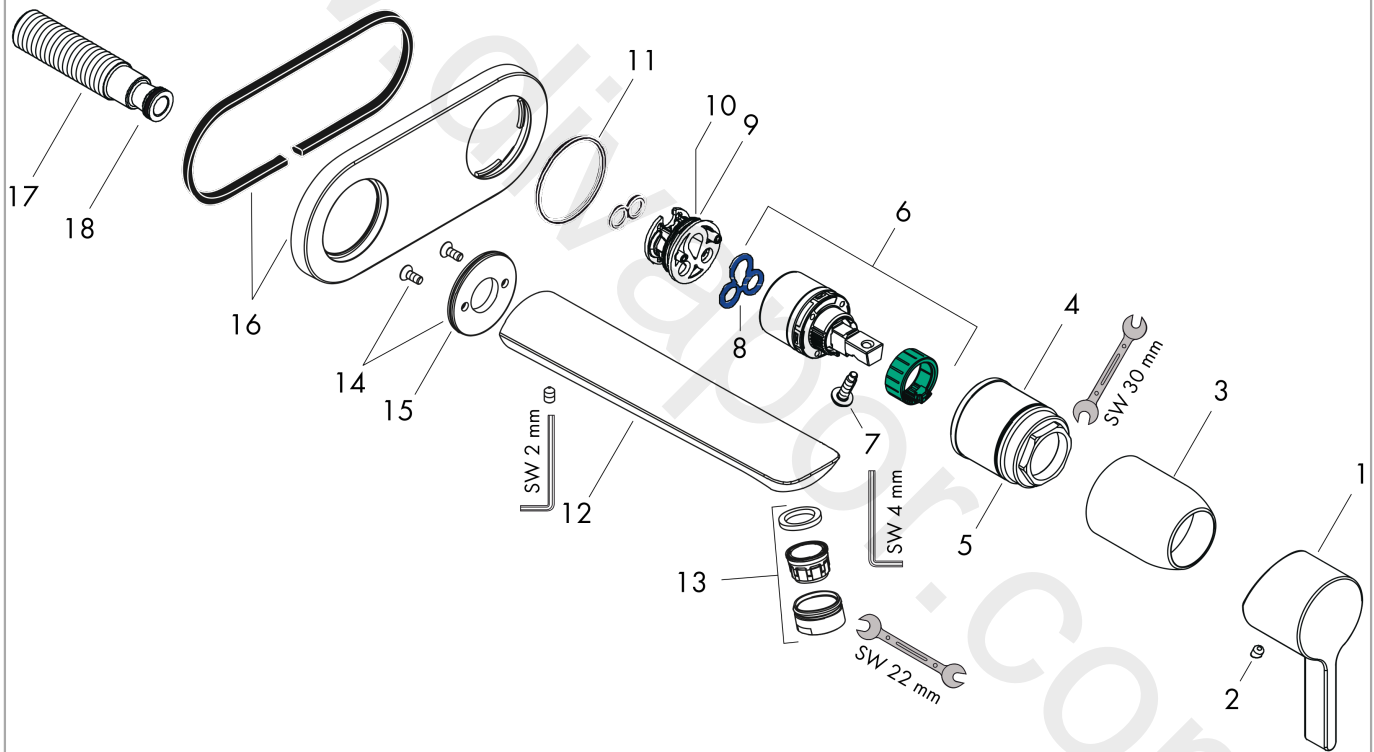
Single lever basin mixer for concealed installation wall-mounted with spout 19,5 cm

Finish: **Chrome** Article Number: **71127000**



Exploded Drawing

Year of production: >10/17



Novus

Single lever basin mixer for concealed installation wall-mounted with spout 19,5 cm

Finish: **Chrome** Article Number: **71127000**



Spare part list

Year of production: >10/17

Pos.	Description	Article Number	Price	PU
1	handle	93192000	£ 43,00	1
2	screw cover	96338000	£ 3,30	1
3	sleeve	98790000	£ 35,00	1
4	nut	95622000	£ 43,00	1
5	O-ring 39x1,5	98400000	£ 3,30	1
6	cartridge, assy	92730000	£ 35,00	1
7	locking screw for handle	95140000	£ 6,10	1
8	seal	95008000	£ 9,00	1
9	adapter for cartridge	95779000	£ 16,10	1
10	O-ring 26x2	98147000	£ 3,30	1
11	O-ring 43x3	98418000	£ 3,30	1
12	spout cpl.	93238000	£ 110,00	1
13	aerator M24x1 (5 l/min)	13185000	£ 22,30	1
14	escutcheon	95642000	£ 16,10	1
15	O-Ring 30x2	98186000	£ 3,30	1
16	escutcheon	95623000	£ 51,00	1
17	connecting thread G½	95626000	£ 43,00	1
18	O-ring 13x2	98128000	£ 3,30	1
a	waste	50001000	£ 71,00	1
b	extension set 25 mm for 13622180	31971000	£ 169,00	1