

## MySport

### Single lever basin mixer with swivel spout and pop-up waste set

Finish: **Chrome** Article Number: **71113000**



#### Description

##### product features

- consists of: single lever basin mixer, waste set
- projection: 107 mm
- spout height: 221 mm
- handle variant: lever handle
- swivel range 120°
- maximum flow rate at 3 bar: 5 l/min
- ceramic cartridge
- temperature limitation adjustable
- suitable for continuous flow water heaters
- pop-up waste set G 1¼
- material waste set: synthetic
- connection type: G ¾ connections
- connection dimension: DN15
- EU taxonomy: max. 6 l/min - Substantial Contribution (SC) possible

#### Technology



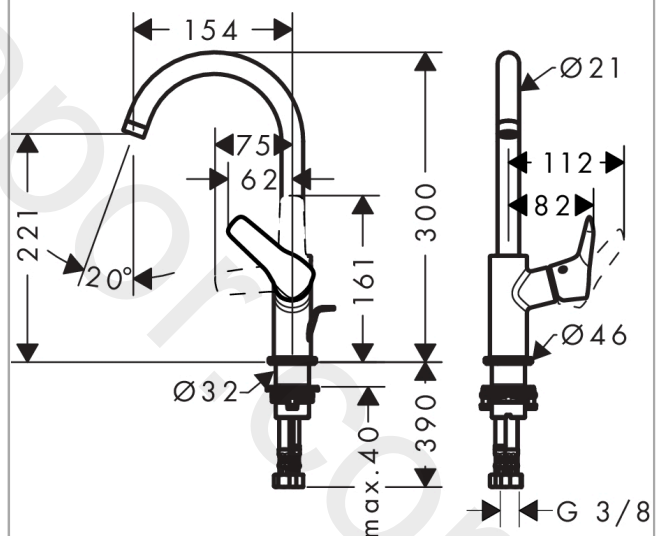
#### Certificates / Sustainability



#### Product image



#### Scale drawing



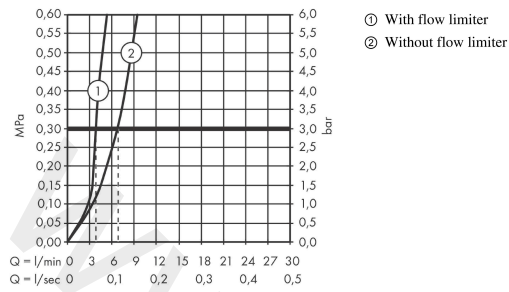
**MySport**

**Single lever basin mixer with swivel spout and pop-up waste set**

Finish: **Chrome** Article Number: **71113000**



**Flowchart**

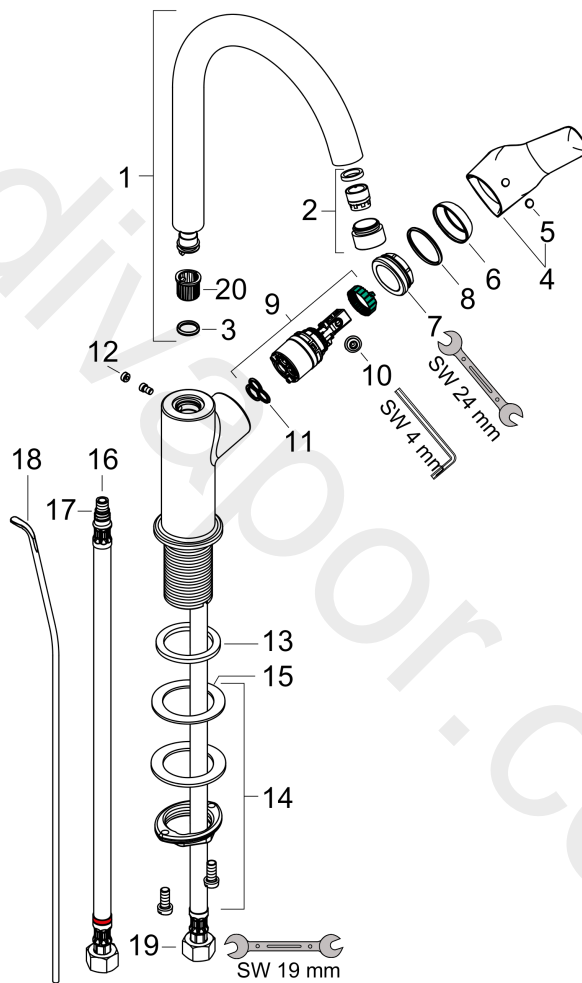


**MySport**  
**Single lever basin mixer with swivel spout and pop-up waste set**  
 Finish: **Chrome** Article Number: **71113000**



**Exploded Drawing**

Year of production: >04/16



**MySport****Single lever basin mixer with swivel spout and pop-up waste set**Finish: **Chrome** Article Number: **71113000****Spare part list**

Year of production: &gt;04/16

Pos.	Description	Article Number	Price	PU
1	spout cpl.	95494000	£ 96,00	1
2	aerator M18x1 (5 l/min)	95387000	£ 43,00	1
3	O-ring 11x2	98127000	£ 3,30	1
4	handle	92838000	£ 64,00	1
5	screw cover	96338000	£ 3,30	1
6	flange	95493000	£ 20,50	1
7	nut	95178000	£ 43,00	1
8	O-ring 24x2	98388000	£ 3,30	1
9	cartridge, assy	97685000	£ 64,00	1
10	locking screw for handle	95140000	£ 6,10	1
11	seal	98865000	£ 35,00	1
12	screw cover	95181000	£ 3,30	1
13	flat seal	98749000	£ 6,10	1
14	fixing set (Ø 32)	13961000	£ 25,00	1
15	lever collar	97548000	£ 3,30	1
16	connection hose 450 mm M8x0,75 G3/8	97206000	£ 35,00	1
17	O-ring 7x1,5	98422000	£ 3,30	1
18	pull rod	96657000	£ 13,30	1
19	sealing set	95581000	£ 6,10	1
20	lever collar	92849000	£ 9,00	1
a	pop up waste	92168000	£ 43,00	1
b	fixation extension 35 mm	13898000	£ 79,00	1