

Logis

Single lever basin mixer 100 CoolStart with pop-up waste set

Finish: **Chrome** Article Number: **71102000**



Description

product features

- consists of: single lever basin mixer, waste set
- ComfortZone 100
- projection: 108 mm
- spout height: 93 mm
- handle variant: lever handle
- spray type: normal spray
- maximum flow rate at 3 bar: 5 l/min
- ceramic cartridge
- temperature limitation adjustable
- suitable for continuous flow water heaters
- pop-up waste set G 1¼
- material waste set: synthetic
- connection type: G ¾ connections
- connection dimension: DN15
- cold water in basic handle position
- EU taxonomy: max. 6 l/min - Substantial Contribution (SC) possible
- WRAS 2107044
- WRAS 2107044 - Approval letter

Article Details

Price excl. VAT

120,00 £

Technology



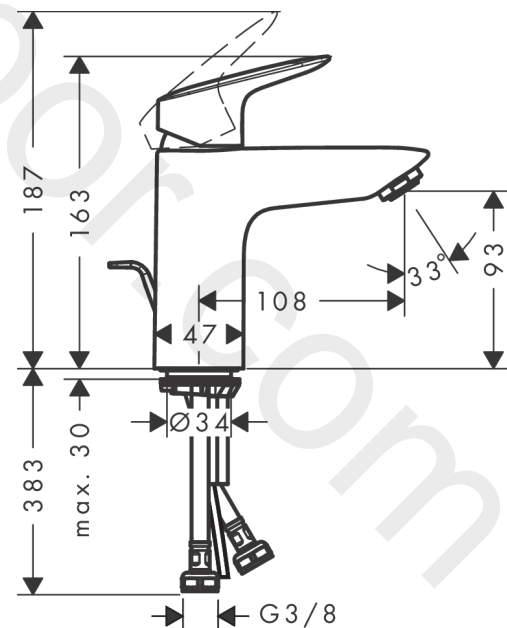
Certificates / Sustainability



Product image



Scale drawing



Logis

Single lever basin mixer 100 CoolStart with pop-up waste set

Finish: **Chrome** Article Number: **71102000**



Flowchart

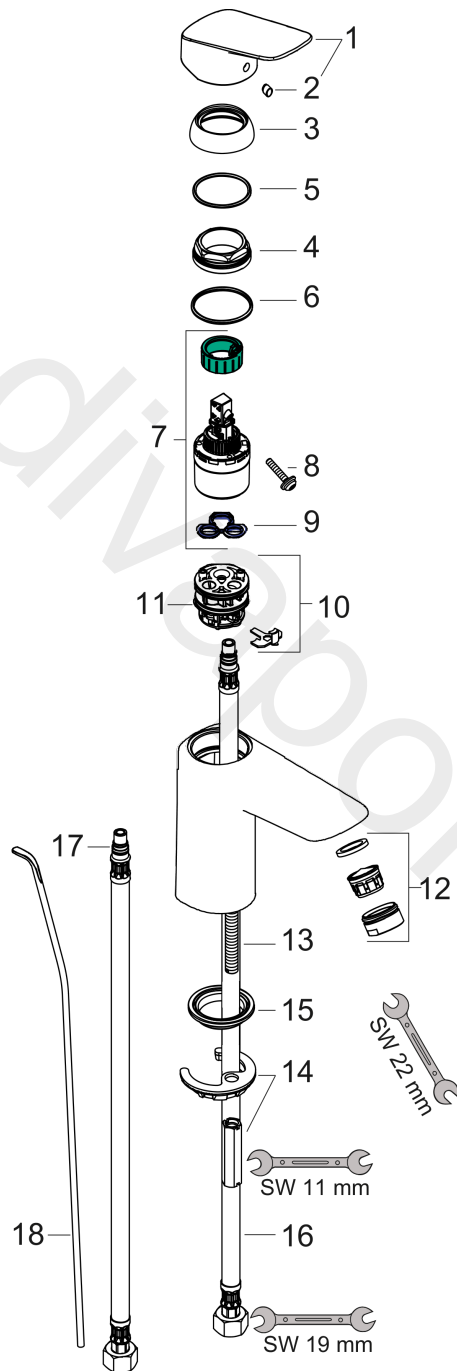


Logis
Single lever basin mixer 100 CoolStart with pop-up waste set
 Finish: **Chrome** Article Number: **71102000**



Exploded Drawing

Year of production: >01/15



Logis

Single lever basin mixer 100 CoolStart with pop-up waste set

Finish: **Chrome** Article Number: **71102000**



Spare part list

Year of production: >01/15

Pos.	Description	Article Number	Price	PU
1	handle	92236000	£ 64,00	1
2	screw cover	96338000	£ 3,30	1
3	flange	97406000	£ 20,50	1
4	nut	97209000	£ 16,10	1
5	O-Ring 32x2	98193000	£ 3,30	1
6	O-ring 35x2	92604000	£ 6,10	1
7	cartridge, assy	92730000	£ 35,00	1
8	locking screw for handle	95140000	£ 6,10	1
9	seal	95008000	£ 9,00	1
10	adapter for cartridge	98324000	£ 16,10	1
11	O-Ring 30x2	98186000	£ 3,30	1
12	aerator M24x1 (5 l/min)	92372000	£ 20,50	1
13	screw M8 x 68	97736000	£ 6,10	1
14	seal Ø 42	98722000	£ 6,10	1
15	fixing set	96016000	£ 35,00	1
16	connection hose 450 mm M8x0,75 G3/8	97206000	£ 35,00	1
17	O-ring 7x1,5	98422000	£ 3,30	1
18	pull rod	96657000	£ 13,30	1
a	pop up waste	92168000	£ 43,00	1