

Logis

Single lever basin mixer 70 CoolStart with 2 flow rates with pop-up waste set

Finish: **Chrome** Article Number: **71075000**



Description

product features

- consists of: single lever basin mixer, waste set
- ComfortZone 70
- projection: 107 mm
- spout height: 13 mm
- handle variant: lever handle
- spray type: normal spray
- maximum flow rate at 3 bar: 9,5 l/min
- ceramic cartridge with Eco handle position for 2 flow rates
- temperature limitation adjustable
- suitable for continuous flow water heaters
- pop-up waste set G 1¼
- material waste set: synthetic
- connection type: G ¾ connections
- connection dimension: DN15
- cold water in basic handle position

Article Details

Price excl. VAT

93,33 £

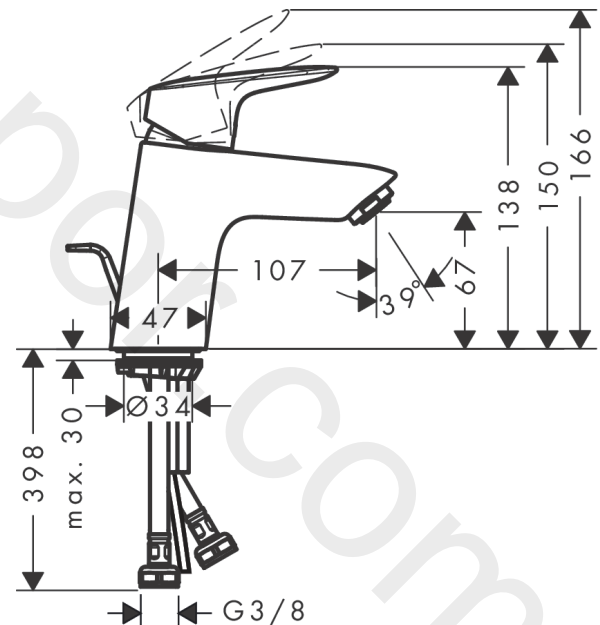
Technology



Product image



Scale drawing



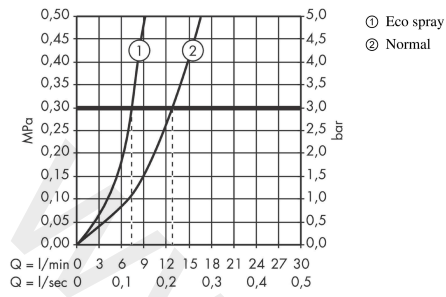
Logis

Single lever basin mixer 70 CoolStart with 2 flow rates with pop-up waste set

Finish: **Chrome** Article Number: **71075000**



Flowchart



www.divapor.com

Logis

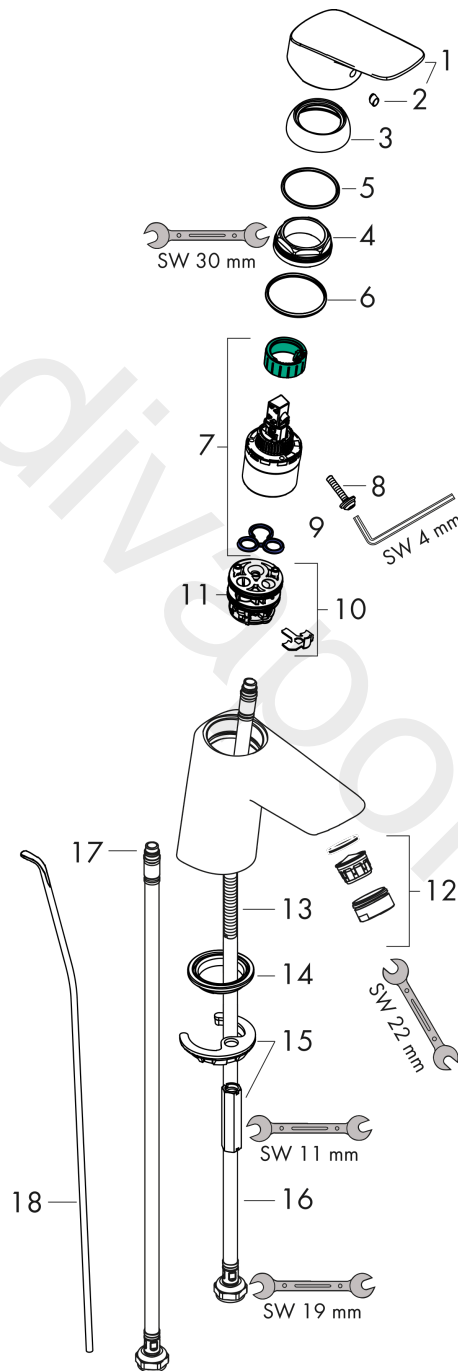
Single lever basin mixer 70 CoolStart with 2 flow rates with pop-up waste set

Finish: **Chrome** Article Number: **71075000**



Exploded Drawing

Year of production: >05/17



Logis

Single lever basin mixer 70 CoolStart with 2 flow rates with pop-up waste set

Finish: **Chrome** Article Number: **71075000**



Spare part list

Year of production: >05/17

Pos.	Description	Article Number	Price	PU
1	handle	92236000	£ 64,00	1
2	screw cover	96338000	£ 3,30	1
3	flange	97406000	£ 20,50	1
4	nut	97209000	£ 16,10	1
5	O-Ring 32x2	98193000	£ 3,30	1
6	O-ring 35x2	92604000	£ 6,10	1
7	cartridge, assy	92530000	£ 25,00	1
8	locking screw for handle	95140000	£ 6,10	1
9	seal	95008000	£ 9,00	1
10	adapter for cartridge	98324000	£ 16,10	1
11	O-Ring 30x2	98186000	£ 3,30	1
12	aerator M24x1 (15 l/min)	92510000	£ 13,30	1
13	screw M8 x 68	97736000	£ 6,10	1
14	seal Ø 42	98722000	£ 6,10	1
15	fixing set	96016000	£ 35,00	1
16	connection hose 450 mm M8x0,75 G3/8	97206000	£ 35,00	1
17	O-ring 6,6x1,6	93019000	£ 3,30	1
18	pull rod	96657000	£ 13,30	1
a	pop up waste	92168000	£ 43,00	1