

Novus

Single lever basin mixer 100 without waste set

Finish: **Chrome** Article Number: **71031003**



Description

product features

- ComfortZone 100
- projection: 118 mm
- spout height: 98 mm
- handle variant: lever handle
- maximum flow rate at 3 bar: 5 l/min
- ceramic cartridge
- temperature limitation adjustable
- suitable for continuous flow water heaters
- connection type: G 3/8 connections
- connection dimension: DN15

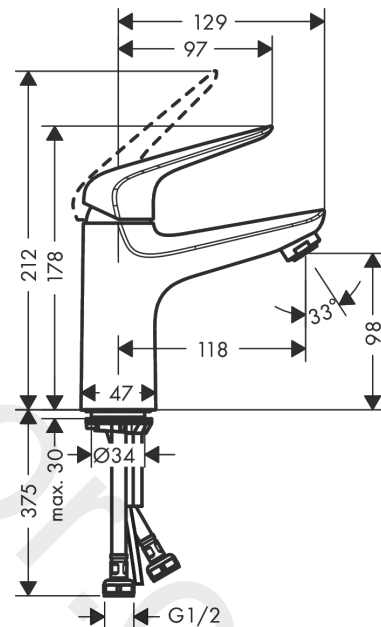
Technology



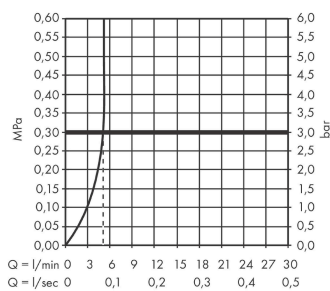
Product image



Scale drawing



Flowchart

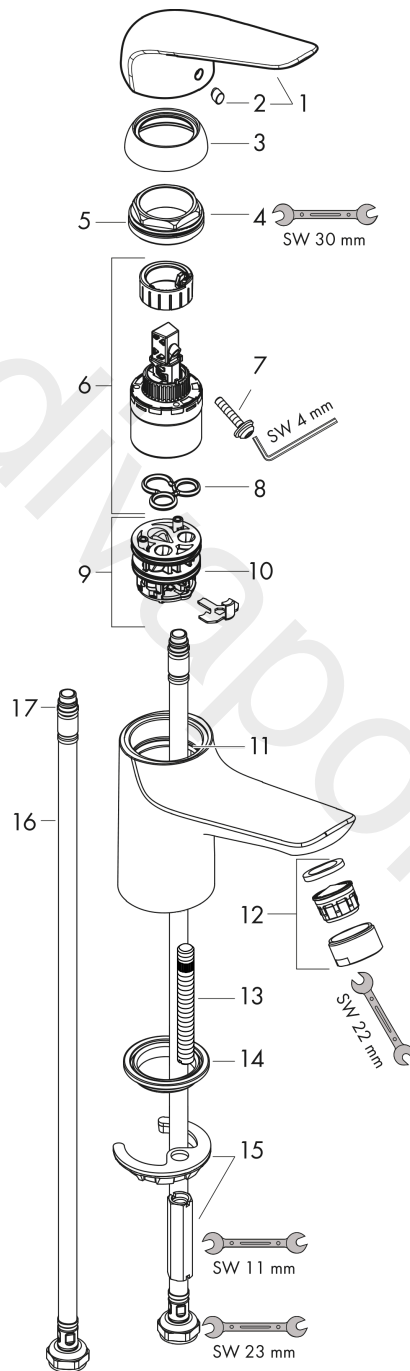


Novus
Single lever basin mixer 100 without waste set
 Finish: **Chrome** Article Number: **71031003**



Exploded Drawing

Year of production: >04/18



Novus**Single lever basin mixer 100 without waste set**Finish: **Chrome** Article Number: **71031003****Spare part list**

Year of production: >04/18

Pos.	Description	Article Number	Price	PU
1	handle	93192000	£ 43,00	1
2	screw cover	96338000	£ 3,30	1
3	flange	97406000	£ 20,50	1
4	nut	97209000	£ 16,10	1
5	O-Ring 32x2	98193000	£ 3,30	1
6	cartridge, assy	92730000	£ 35,00	1
7	locking screw for handle	95140000	£ 6,10	1
8	seal	95008000	£ 9,00	1
9	adapter for cartridge	98750000	£ 13,30	1
10	O-Ring 30x2	98186000	£ 3,30	1
11	O-ring 35x2	92604000	£ 6,10	1
12	aerator M24x1 (5 l/min)	13185000	£ 22,30	1
13	screw M8 x 68	97736000	£ 6,10	1
14	seal Ø 42	98722000	£ 6,10	1
15	fixing set	96016000	£ 35,00	1
16	connection hose 450 mm M8x0,75 G½	97443000	£ 20,50	1
17	O-ring 6,6x1,6	93019000	£ 3,30	1