

OEM THERMOSTATIC MIXING VALVES

quality and reliability

Introduction

Inta's OEM thermostatic mixing valves are manufactured to EN1287 and offer the same manufacturing quality and performance you've come to expect from an inta mixing valve. OEM mixing valves offer an alternative to thermostatically protecting your installation where certification is not required.

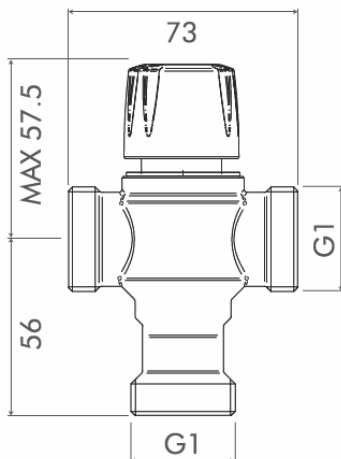


- Manufactured to EN1287
- Large body for high flow rates
- Fail safe on both hot and cold supplies
- Available in 1" male and 22mm compression
- Maximum inlet pressure (static) 5 bar
- Minimum inlet pressure (dynamic) 0.2 bar
- Maximum inlet temperature 85°C
- Temperature stability $\pm 2^{\circ}\text{C}$
- Minimum temperature to achieve failsafe 10°C

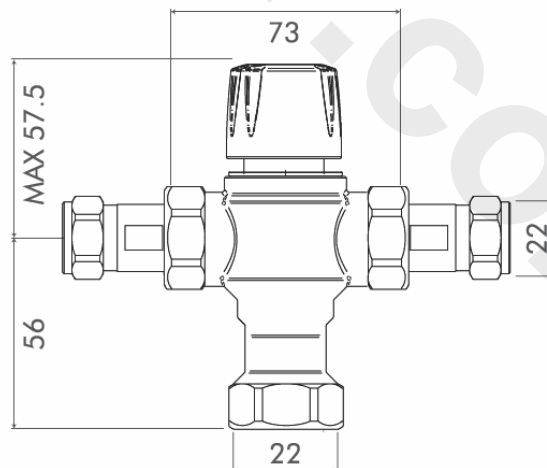
Description

Ecomix thermostatic mixing valve 1" male	60095CP
Ecomix thermostatic mixing valve 22mm compression	600722CP

■ Dimensions



60096CP



AIRFIELD INDUSTRIAL ESTATE, HIXON, STAFFORD, ST18 0PF
 T. 01889 272180 F. 01889 272181 SALES@INTATEC.CO.UK
 WWW.INTATEC.CO.UK

OEM THERMOSTATIC MIXING VALVES

■ $K_v = 1.5\text{m}^3/\text{h}$

