

TECHNOVATION X300

Deck Valves & Aqua Filler



Pack consists of:

1 x 34891TB Pair Deck Bath Valves

*1 x 033 Low Pressure Aqua Filler
with clic-clac waste*

CIFIAL

INSTRUÇÕES DE INSTALAÇÃO INSTALLATION INSTRUCTIONS

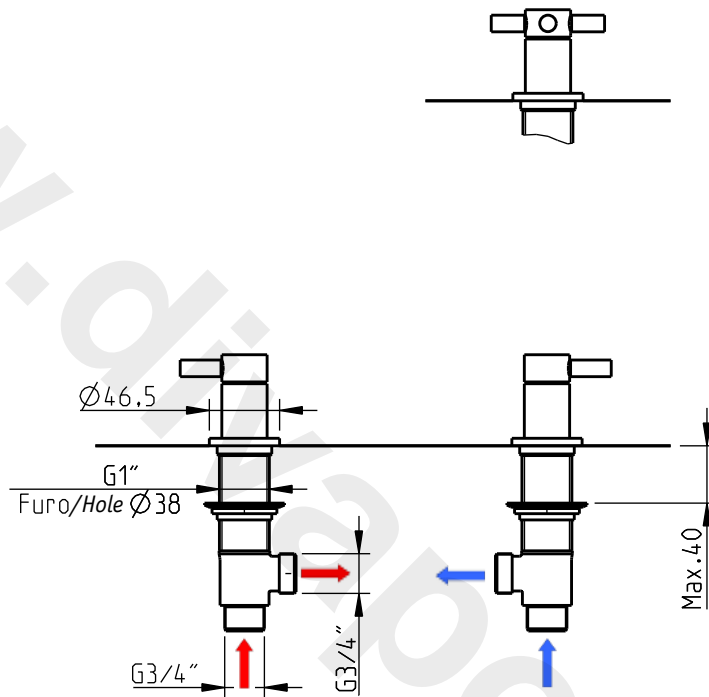
Techno 300/300+ / Technovation 300/X300

Par de manípulos 3/4" / Pair 3/4" deck valves

código/code | 34890TB-xxx
34891TB-xxx

INSTALADOR / INSTALLER:

Por favor entregue todas as instruções que acompanham este produto ao seu proprietário.
Please leave all leaflets with the building owner to file for future reference.



5663317
983TB011D04

TORNEIRAS / PLUMBING

CIFIAL Torneiras, S.A.

Portugal T +351 256 780 700 F +351 256 780 710 cifial@cifial.pt www.cifial.pt

CIFIALDECOR, S.A.

Espanha T +34 916 110 261 F +34 916 103 694 cifialdecor@infonegocio.com

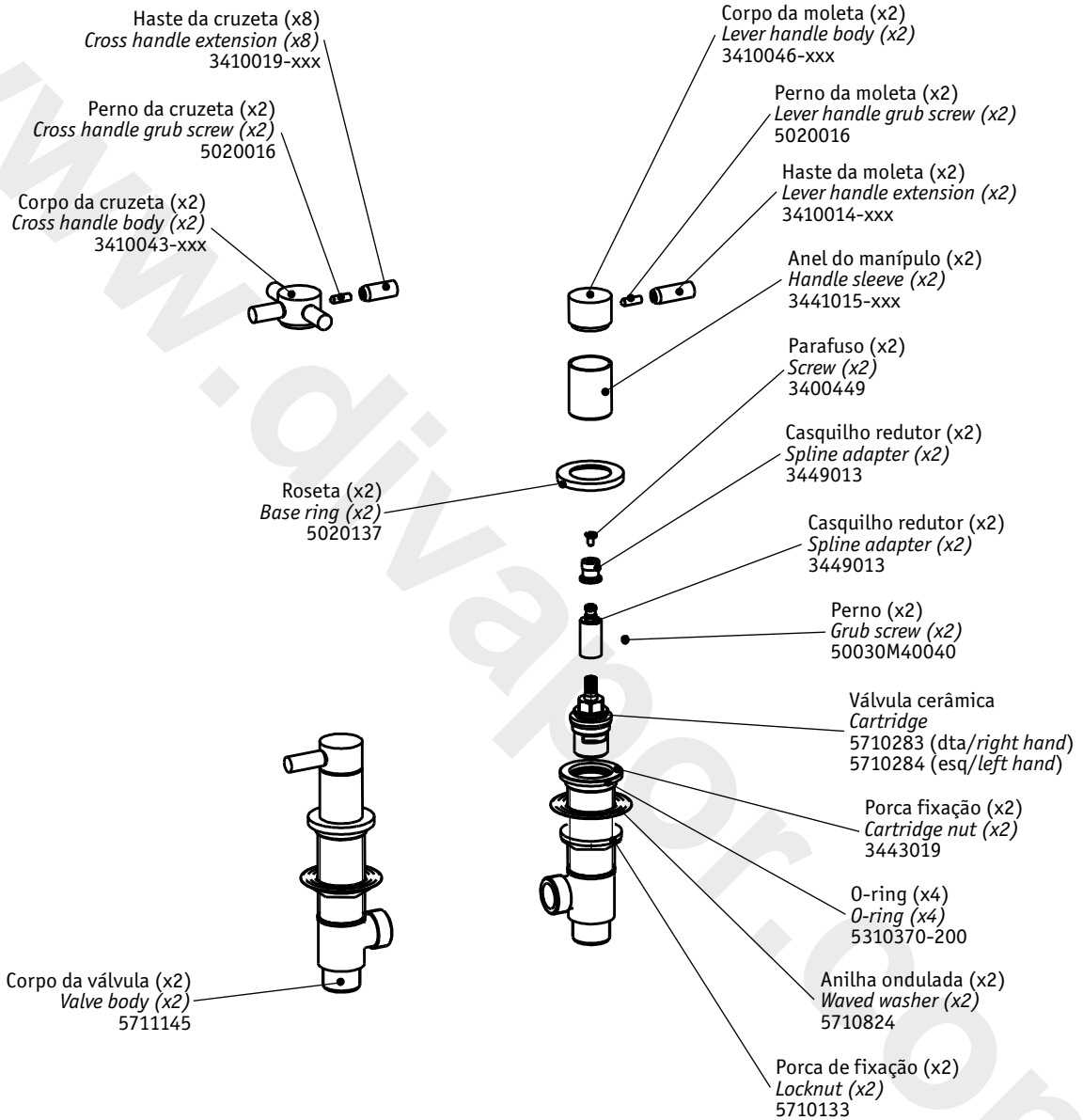
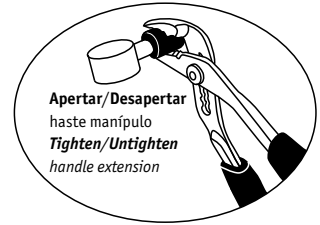
CIFIAL UK, Ltd.

UK P +44 1933 402 008 F +44 1933 402 063 sales@cifial.co.uk www.cifial.co.uk

CIFIAL USA

USA P +1800 5284904 F +1800 5281969 info@cifialusa.com www.cifialusa.com

CIFIAL 



5663317
983TB011D04

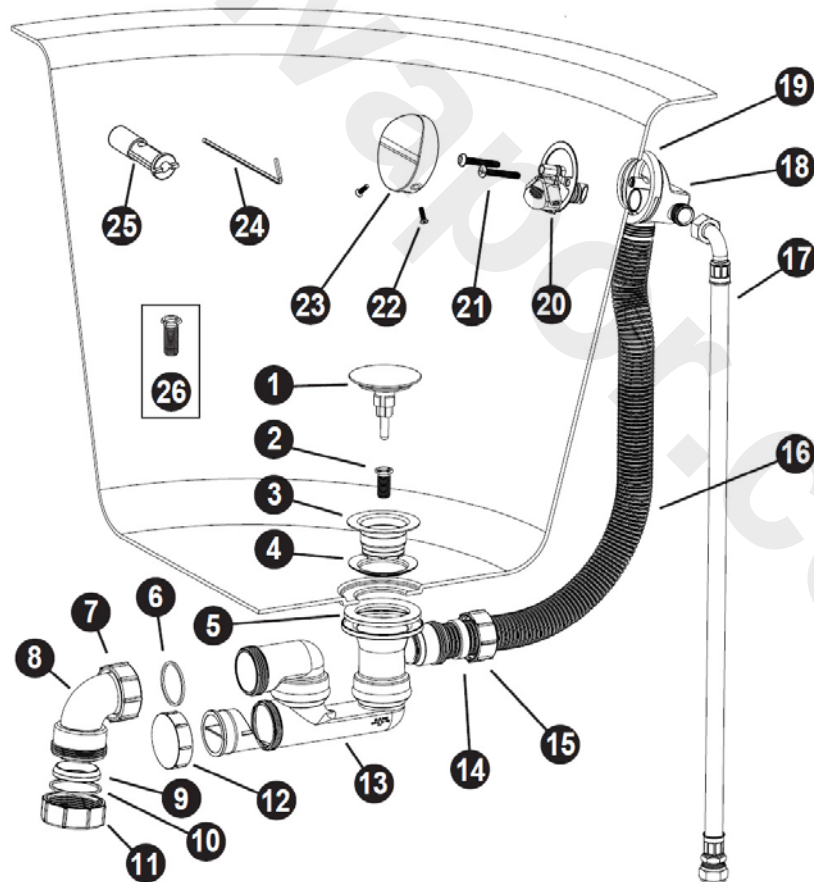
Nota / Note: xxx indica o código do acabamento. / xxx represent different finishes.

AQUA FILLER

with clic-clac waste

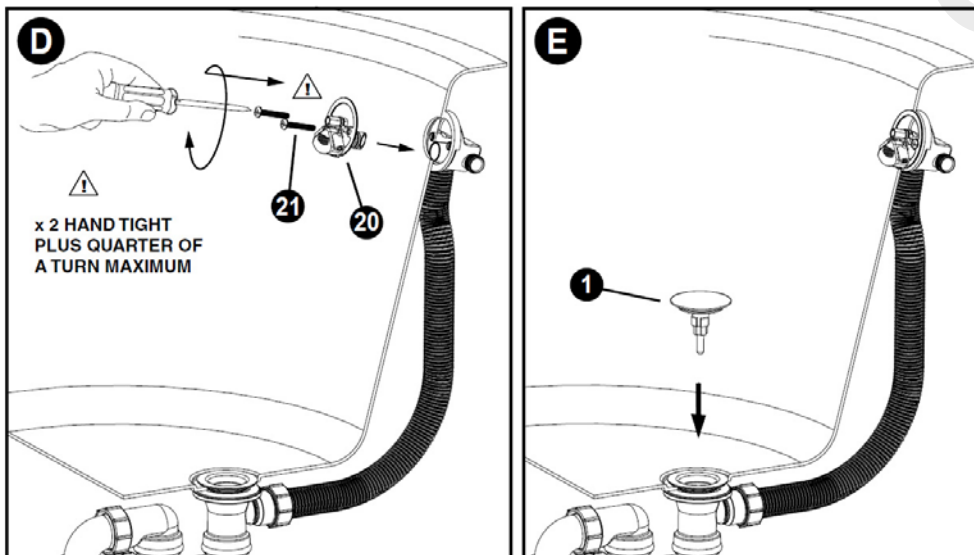
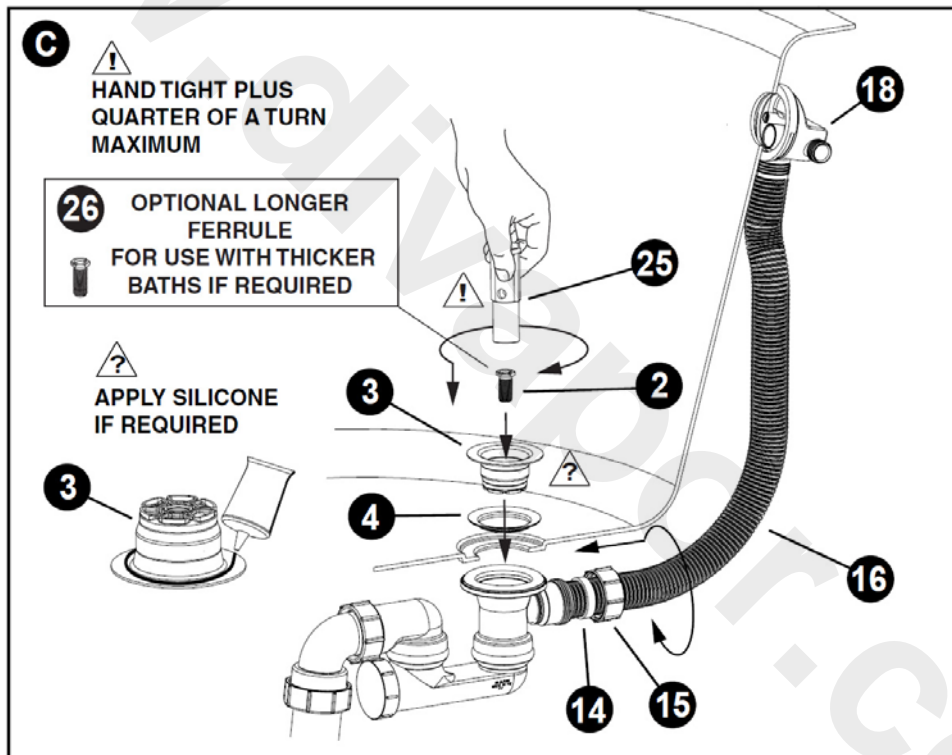
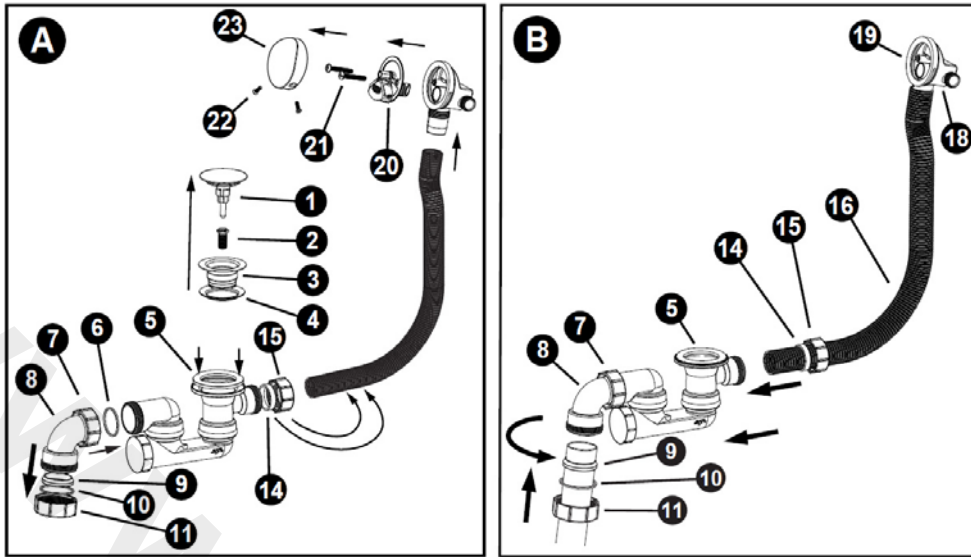
1	Plug assembly (Removable)
2	Waste ferrule
3	Waste flange
4	Waste Flange seal
5	Rubber waste seal
6	Rubber seal
7	1.5" BSP nut
8	95° trap outlet elbow
9	Tapered rubber seal
10	Plastic seal
11	1.75" BSP compression nut
12	Trap cleaning eye
13	Trap waste body

14	Rubber Seal
15	1.25" BSP compression nut
16	Flexible overflow pipe
17	Flexible inlet hose
18	Overflow body
19	Rubber Overflow Seal
20	Overflow clamp plate / Nozzle body
21	Overflow clamp plate screws
22	Key Bolts (x2)
23	Overflow cover
24	Allen Hex Key for tightening
25	Plastic Key for tightening
26	Long ferrule (for use with thicker baths)

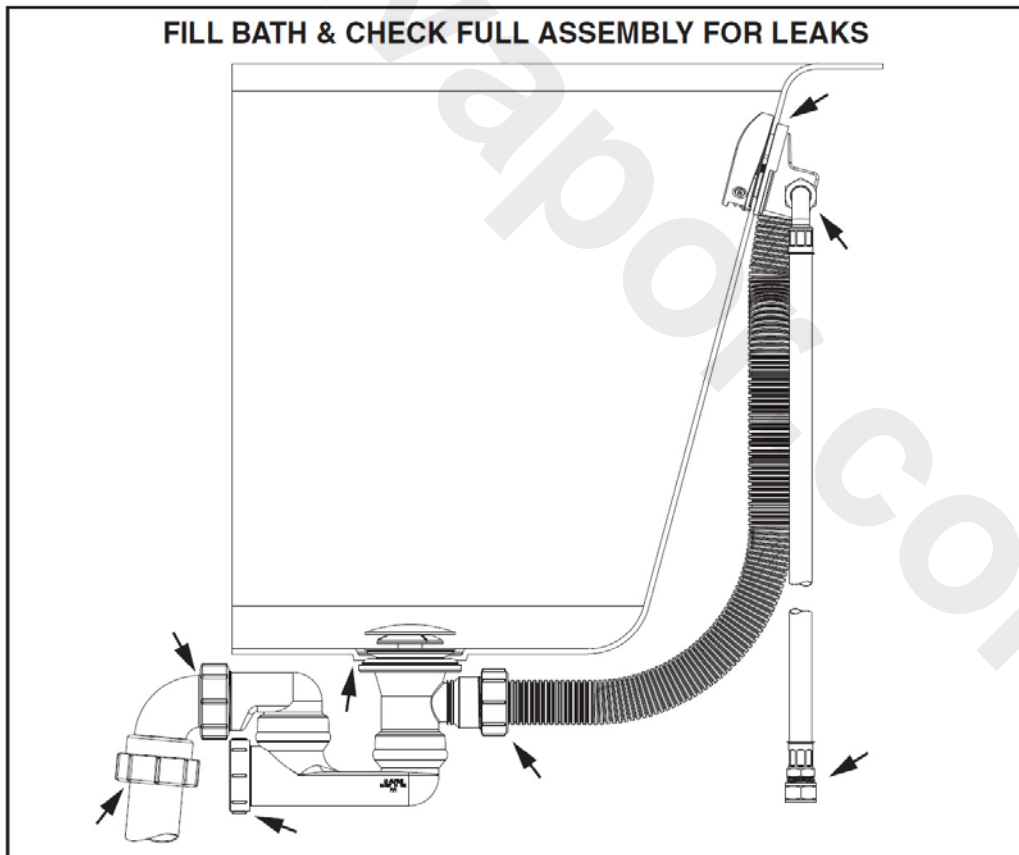
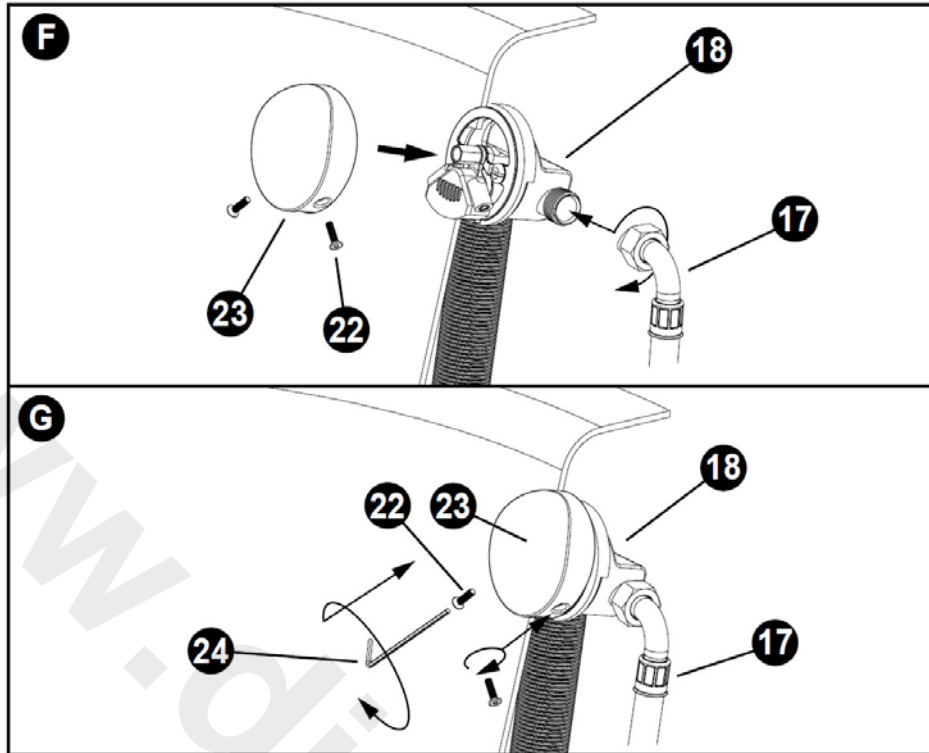


CIFIAL

with clic-clac waste



with clic-clac waste



- Mixer valve (not supplied) must be installed according to manufacturers guidelines and Local authority regulations.
- Protection against pollution of potable water installations and general requirements of devices to prevent pollution by backflow as detailed in EN 1717 should be observed.
- Flexible inlet pipe should be installed in a self-draining position.