

AQUALISA

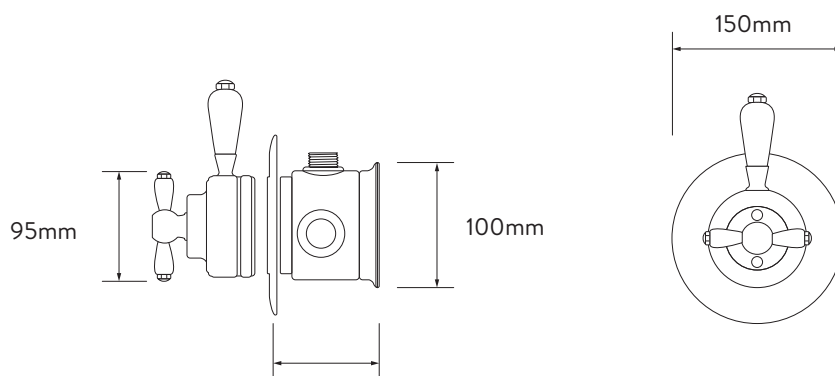
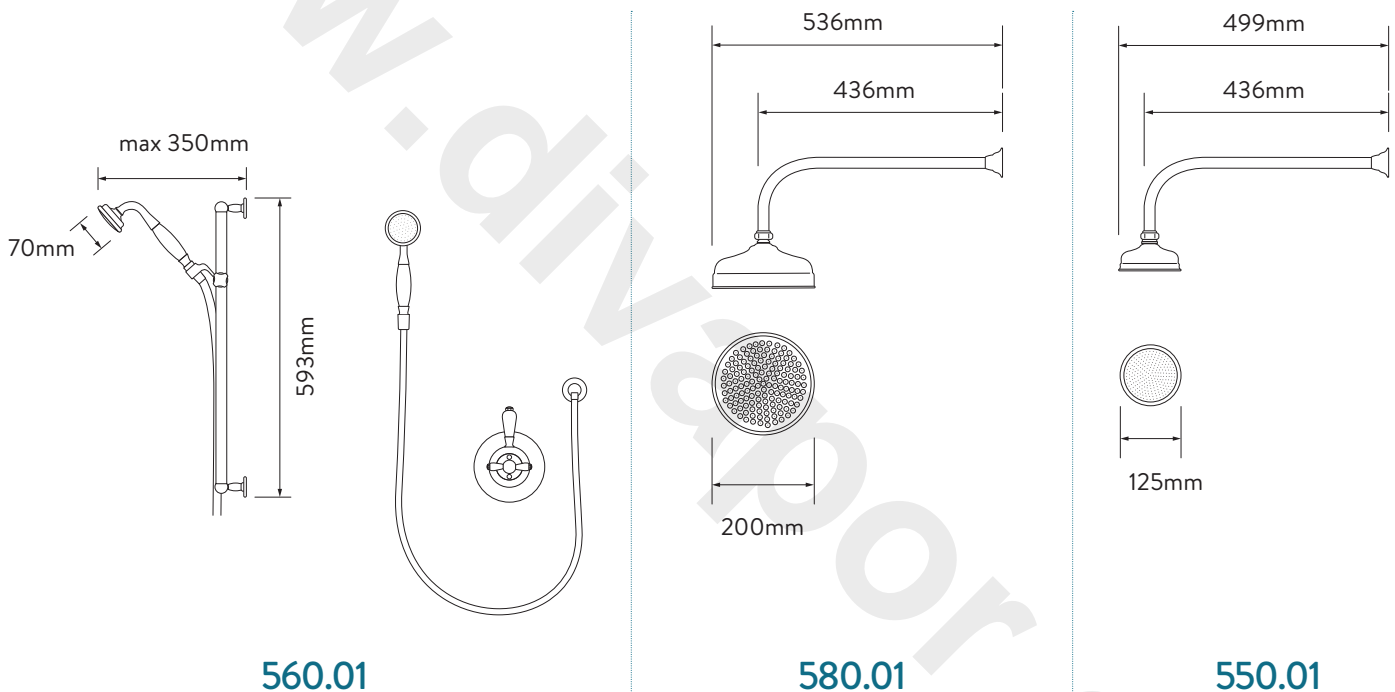
500.00.01

AQUATIQUE THERMO CONCEALED MIXER SHOWER

CHROME

(The above SKU doesn't come with the heads shown as standard)

DIMENSIONAL DRAWINGS



Distance from back of valve to finished wall surface (includes 10mm allowance for tiles) Min. 68mm Max. 82mm

AQUALISA

500.00.01

AQUATIQUE THERMO CONCEALED MIXER SHOWER

CHROME

TECHNICAL SPECIFICATIONS

MINIMUM PRESSURE REQUIREMENTS	0.1 bar
MAXIMUM PRESSURE REQUIREMENTS	10 bar
INLET FITTING CONNECTIONS	No inlet fittings supplied, valve includes 3/4" BSP inlet threads
INLET SUPPLY POSITIONS	Hot/left, cold/right
OUTLET CONNECTIONS	No outlet fittings supplied, valve includes 3/4" BSP outlet thread
SUPPLY TEMPERATURE	5 - 20°C Cold Supply 55 - 65°C Hot Supply
WATER SYSTEM	Gravity, Boosted Gravity, Combi and Balanced High Pressure
FEATURES	Quality, solid brass shower valve
	Adjustable height shower head for flexible showering
	Classically styled 5" and 8" drencher shower head options
	Maximum temperature limit can be set during installation
COLOUR	Chrome
GUARANTEE PERIOD	Valve 3 years
	Head and Kit 2 years