

AXOR One

Single lever basin mixer for concealed installation wall-mounted with lever handle and spout
220 mm

Finish: **Chrome** Article Number: **48120007**



product features

- consists of: single lever basin mixer, waste set
- projection: 220 mm
- handle variant: lever handle
- spray type: normal spray
- maximum flow rate at 3 bar: 5 l/min
- ceramic cartridge
- temperature limitation adjustable
- suitable for continuous flow water heaters
- non-closing waste set
- material waste set: metal
- connection type: basic set
- connection dimension: DN15
- handle can be positioned on the right or left, depending on the basic set installation

Technology



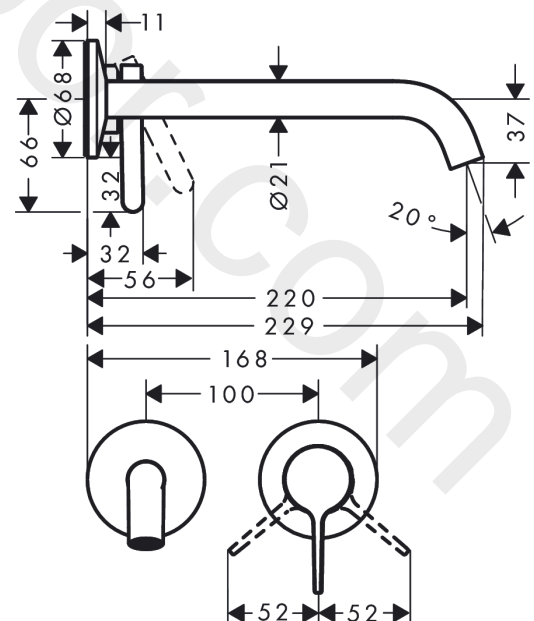
Design awards



Product image



Scale drawing



AXOR One

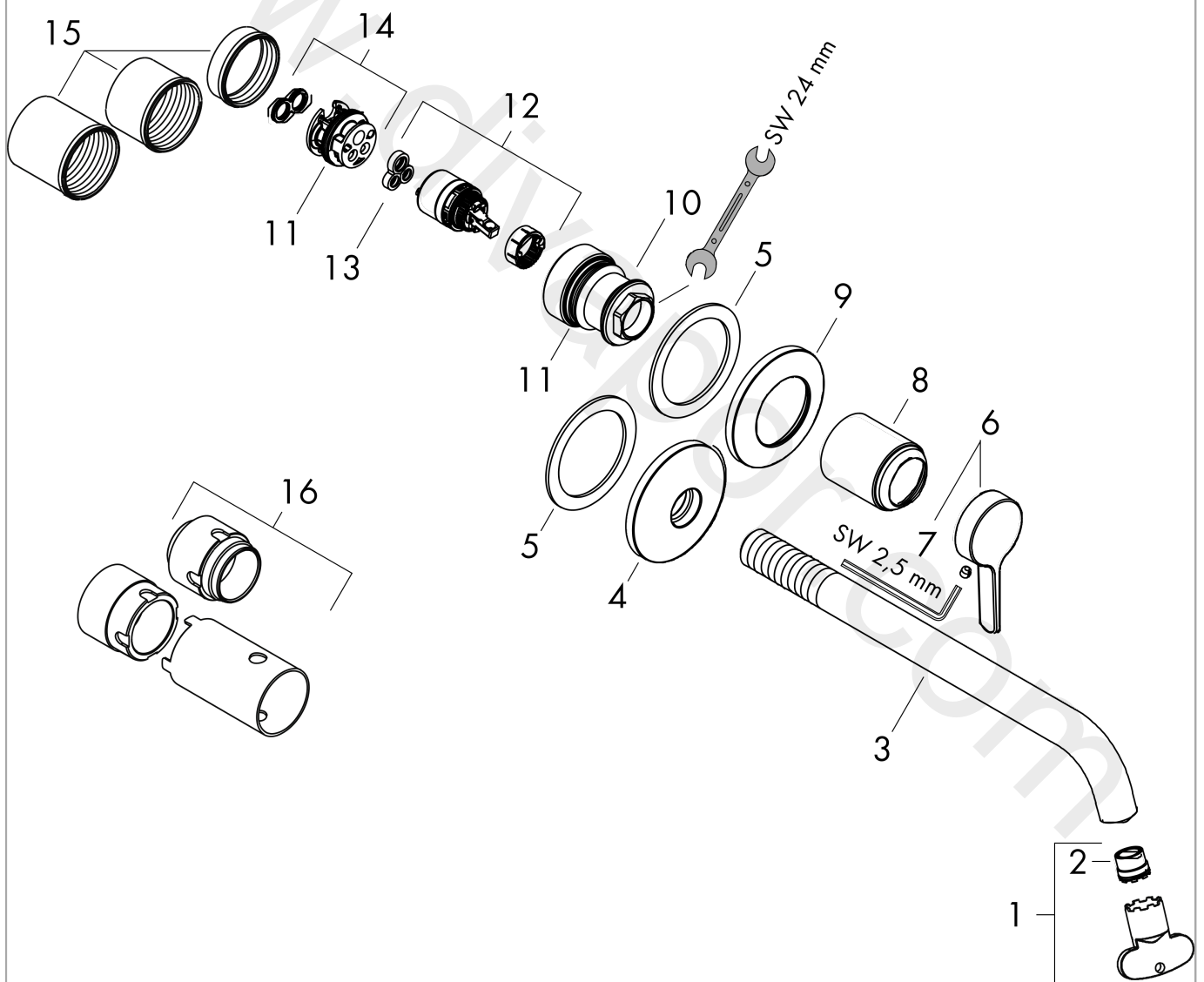
Single lever basin mixer for concealed installation wall-mounted with lever handle and spout
220 mm

Finish: **Chrome** Article Number: **48120007**



Exploded Drawing

Year of production: >04/21



AXOR One

Single lever basin mixer for concealed installation wall-mounted with lever handle and spout
220 mm



Finish: **Chrome** Article Number: **48120007**

Spare part list

Year of production: >04/21

Pos.		Article Number	Price	PU
1	aerator cpl.	93118000	£ 25,00	1
2	special tool	98987000	£ 9,00	1
3	spout 220 mm	94346000	£ 96,00	1
4	escutcheon for spout	94348000	£ 137,00	1
5	washer	97600000	£ 13,30	1
6	handle	94347000	£ 51,00	1
7	hollow set screw M5x5	98446000	£ 3,30	1
8	sleeve	93989000	£ 35,00	1
9	escutcheon for handle	94349000	£ 110,00	1
10	nut	94752000	£ 35,00	1
11	O-ring 26x2	98147000	£ 3,30	1
12	cartridge, assy	93760000	£ 96,00	1
13	seal	93383000	£ 13,30	1
14	adapter for cartridge	95634000	£ 13,30	1
15	fixing set	97971000	£ 43,00	1
16	extension 25 mm	13586000	£ 169,00	1
a	-	51301007	-	1
b	adapter for exchanged connections	93819000	£ 173,00	1