

AXOR One

Basin mixer for concealed installation wall-mounted Select with spout 220 mm

Finish: **Chrome** Article Number: **48112007**



product features

- consists of: basin mixer for concealed installation wall-mounted, waste set
- projection: 220 mm
- handle variant: Select
- spray type: normal spray
- maximum flow rate at 3 bar: 5 l/min
- Select cartridge with temperature control
- suitable for continuous flow water heaters
- non-closing waste set
- connection type: basic set
- connection dimension: DN15

Technology



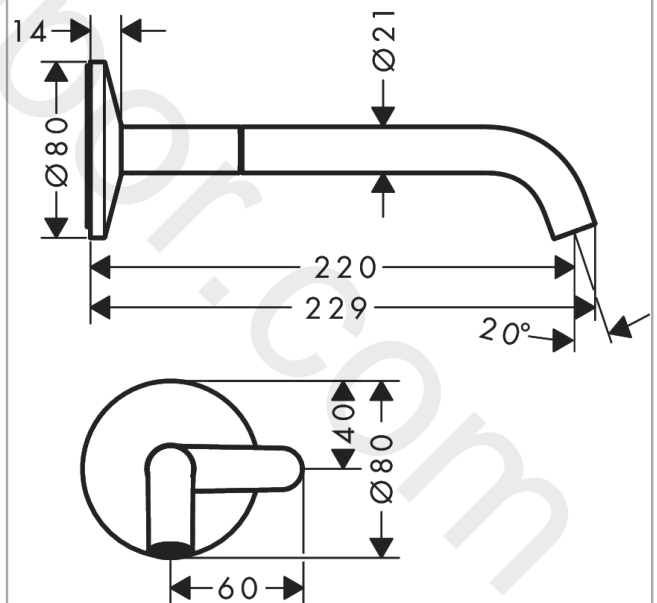
Design awards



Product image



Scale drawing



AXOR One

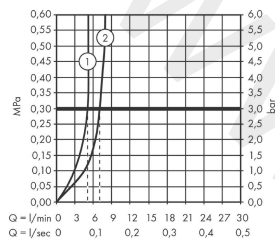
Basin mixer for concealed installation wall-mounted Select with spout 220 mm

Finish: **Chrome** Article Number: **48112007**



Flowchart

Durchflusswerte von 71552 PIM



- ① With flow limiter (5 l/min)
- ② With flow limiter (7 l/min)

AXOR One

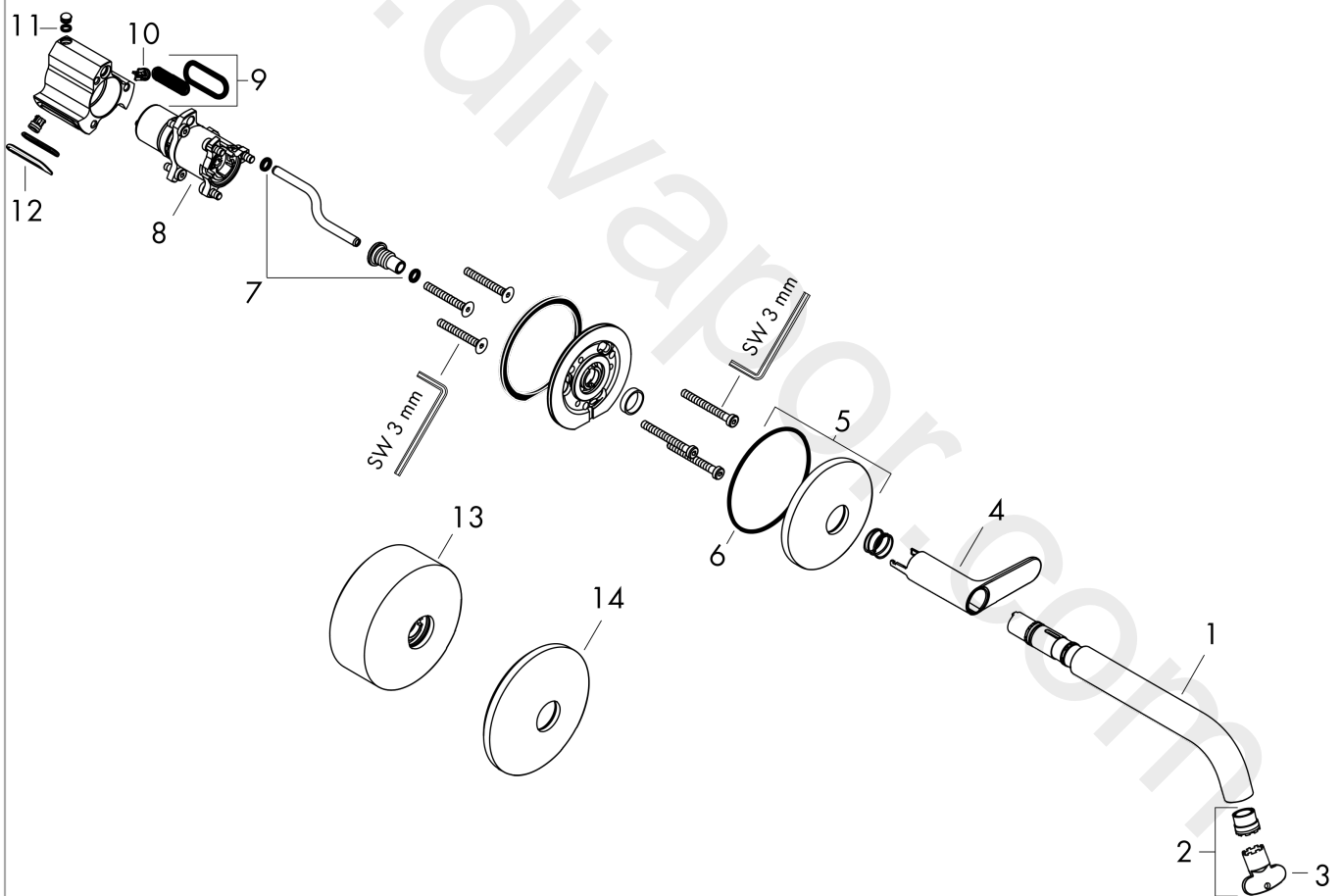
Basin mixer for concealed installation wall-mounted Select with spout 220 mm

Finish: **Chrome** Article Number: **48112007**



Exploded Drawing

Year of production: >06/21



AXOR One

Basin mixer for concealed installation wall-mounted Select with spout 220 mm

Finish: **Chrome** Article Number: **48112007**



Spare part list

Year of production: >06/21

Pos.		Article Number	Price	PU
1	spout cpl.	94313000	£ 137,00	1
2	aerator cpl.	93118000	£ 25,00	1
3	special tool	98987000	£ 9,00	1
4	handle	94314000	£ 137,00	1
5	escutcheon Ø 80 mm	94315000	£ 96,00	1
6	O-ring 72x2	98395000	£ 3,30	1
7	O-ring 6x2	98458000	£ 3,30	1
8	cartridge, assy	94317000	£ 370,00	1
9	filter	94316000	£ 35,00	1
10	non return valve	93250000	£ 16,10	1
11	O-ring 4x1,5	93463000	£ 3,30	1
12	O-ring 25x2,5	92146000	£ 16,10	1
13	escutcheon height = 36 mm (when wall is not deep enough).	13610000	£ 39,00	1
14	escutcheon Ø 90 mm	13611000	£ 37,00	1
a	base body	13625180	£ 315,00	1
b	extension 25 mm	13609000	£ 65,00	1