

## AXOR One

Basin mixer for concealed installation wall-mounted Select with spout 220 mm

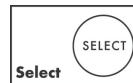
Finish: **Chrome** Article Number: **48112001**



### product features

- projection: 220 mm
- handle variant: Select
- spray type: normal spray
- maximum flow rate at 3 bar: 4,5 l/min
- Select cartridge with temperature control
- suitable for continuous flow water heaters
- connection type: basic set
- connection dimension: DN15

### Technology



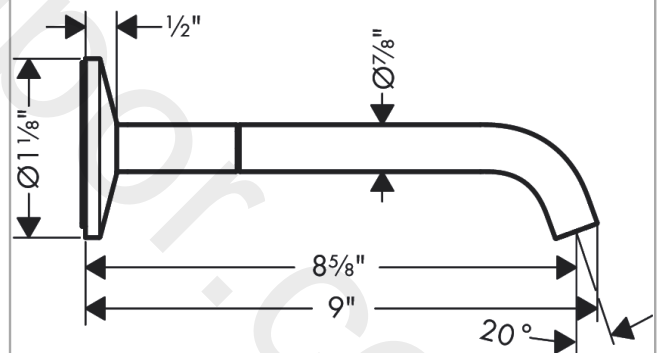
### Design awards



### Product image



### Scale drawing



## AXOR One

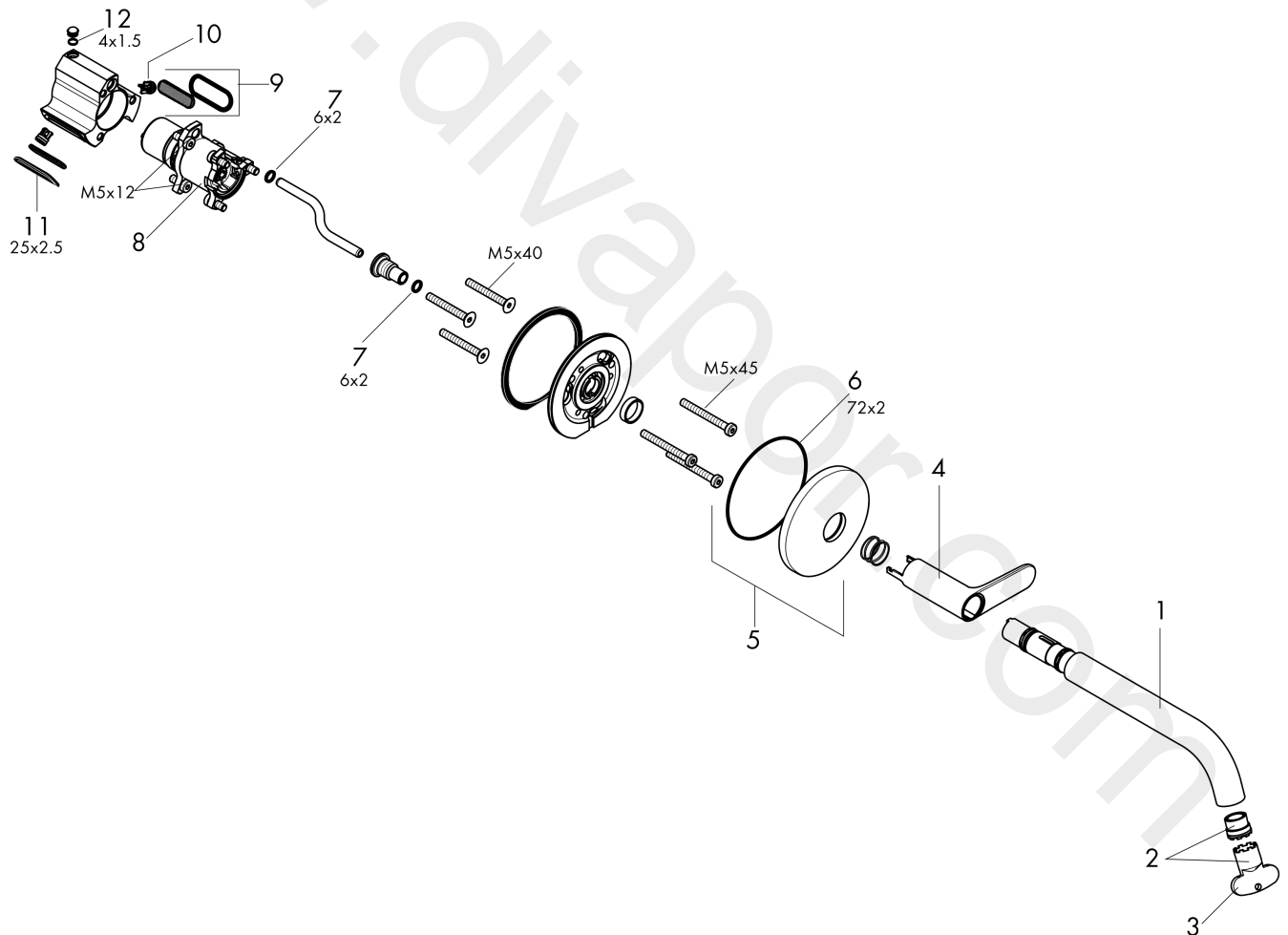
Basin mixer for concealed installation wall-mounted Select with spout 220 mm

Finish: **Chrome** Article Number: **48112001**



### Exploded Drawing

Year of production: >10/21



## AXOR One

**Basin mixer for concealed installation wall-mounted Select with spout 220 mm**

Finish: **Chrome** Article Number: **48112001**



### Spare part list

Year of production: >10/21

| Pos. |   | Article Number | Price    | PU |
|------|---|----------------|----------|----|
| 1    | spout cpl.  | 94313000       | £ 137,00 | 1  |
| 2    | aerator M16,5x1 (4,5 l/min)                               | 92875000       | £ 35,00  | 1  |
| 3    | special tool  | 98987000       | £ 9,00   | 1  |
| 4    | handle  | 94314000       | £ 137,00 | 1  |
| 5    | escutcheon Ø 80 mm  | 94315000       | £ 96,00  | 1  |
| 6    | O-ring 72x2   | 98395000       | £ 3,30   | 1  |
| 7    | O-ring 6x2  | 98458000       | £ 3,30   | 1  |
| 8    | cartridge, assy   | 94317000       | £ 370,00 | 1  |
| 9    | filter  | 94316000       | £ 35,00  | 1  |
| 10   | non return valve  | 93250000       | £ 16,10  | 1  |
| 11   | O-ring 25x2,5   | 92146000       | £ 16,10  | 1  |
| 12   | O-ring 4x1,5  | 93463000       | £ 3,30   | 1  |
| a    | escutcheon Ø 90 mm  | 13611000       | £ 37,00  | 1  |
| b    | escutcheon height = 36 mm (when wall is not deep enough). | 13610000       | £ 39,00  | 1  |
| c    | extension 25 mm   | 13609000       | £ 65,00  | 1  |