

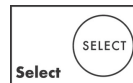
AXOR One
2-hole basin mixer Select 260 without waste set
 Finish: **Matt Black** Article Number: **48060671**



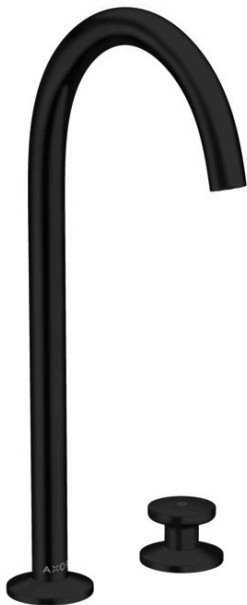
product features

- ComfortZone 260
- projection: 165 mm
- handle variant: Select
- swivel range 120°
- spray type: normal spray
- maximum flow rate at 3 bar: 4,5 l/min
- Select cartridge with temperature control
- temperature limitation adjustable
- suitable for continuous flow water heaters
- connection type: G ¾ compression
- flexible arrangement of control unit and spout possible

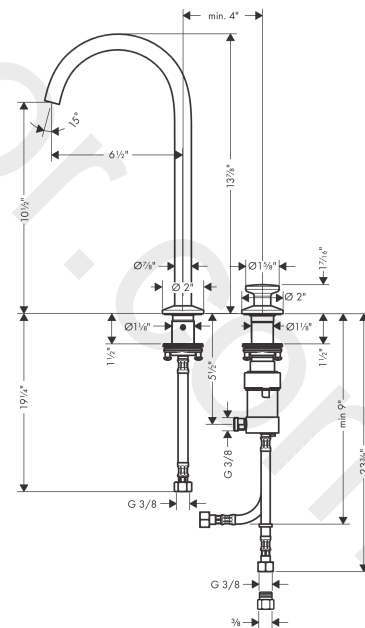
Technology



Product image



Scale drawing

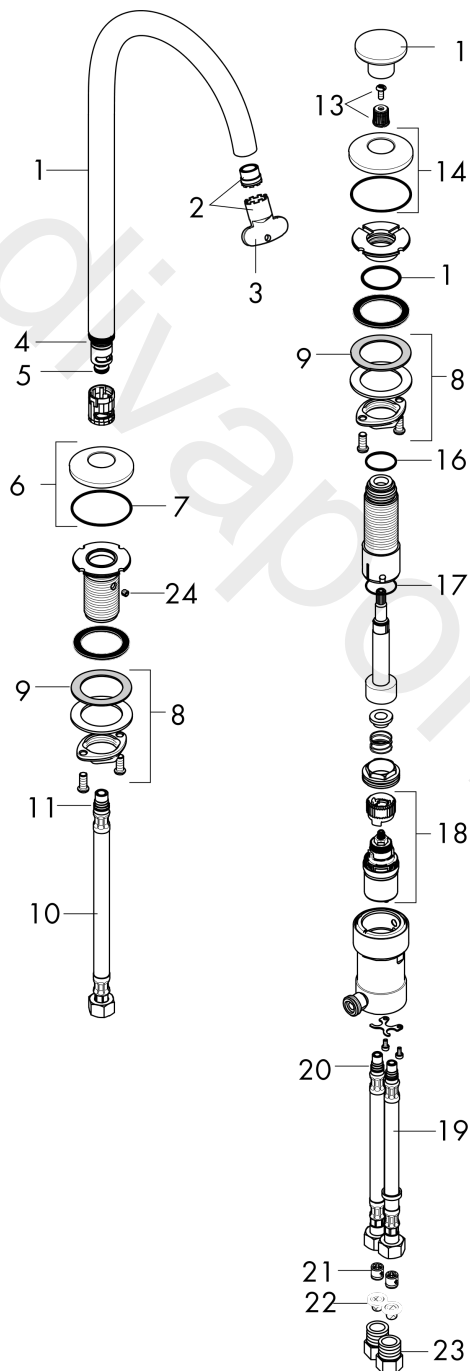


AXOR One
2-hole basin mixer Select 260 without waste set
 Finish: **Matt Black** Article Number: **48060671**



Exploded Drawing

Year of production: >08/21



AXOR One
2-hole basin mixer Select 260 without waste set
 Finish: **Matt Black** Article Number: **48060671**



Spare part list

Year of production: >08/21

Pos.		Article Number	Price	PU
1	spout cpl.	93996670	£ 202,00	1
2	aerator M16,5x1 (4,5 l/min)	92875000	£ 35,00	1
3	special tool	98987000	£ 9,00	1
4	O-ring 18x1,5	98231000	£ 3,30	1
5	O-ring 9x1,5	98117000	£ 3,30	1
6	escutcheon	93998670	£ 64,00	1
7	O-Ring 46x2	98195000	£ 3,30	1
8	fixing set (Ø 28)	92909000	£ 43,00	1
9	lever collar	97548000	£ 3,30	1
10	connection hose 450 mm M10x1 G3/8	96507000	£ 43,00	1
11	O-ring 8x1,75	97827000	£ 3,30	1
12	handle	93997670	£ 76,00	1
13	handle fixing set	98932000	£ 16,10	1
14	O-ring 28x2,5	98209000	£ 3,30	1
15	O-Ring 22x2	98185000	£ 3,30	1
16	O-ring 23x1,5	92287000	£ 3,30	1
17	cartridge, assy	92529000	£ 110,00	1
18	connection hose 450 mm M8x0,75 G3/8	93405000	£ 43,00	1
19	O-ring 7x1,5	98422000	£ 3,30	1
20	non return valve DW 10	96456000	£ 9,00	1
21	filter packing	95291000	£ 13,30	1
22	adapter for connection hose	88802000	-	1
23	hollow set screw M5x5	98446000	£ 3,30	1