

AXOR One
2-hole basin mixer Select 260 with push-open waste set
 Finish: **Chrome** Article Number: **48060000**



product features

- consists of: 2-hole basin mixer, waste set
- ComfortZone 260
- projection: 165 mm
- spout height: 267 mm
- handle variant: Select
- swivel range 120°
- spray type: normal spray
- maximum flow rate at 3 bar: 5 l/min
- Select cartridge with temperature control
- temperature limitation adjustable
- suitable for continuous flow water heaters
- push-open waste set G 1¼
- material waste set: metal
- connection type: G ¾ connections
- flexible arrangement of control unit and spout possible
- the control unit needs approx. 20 cm space underneath the top
- EU taxonomy: max. 6 l/min - Substantial Contribution (SC) possible
- WRAS 2301342
- WRAS 2301342 - Approval letter 2301342

Article Details

Price excl. VAT 579,17 £

Technology



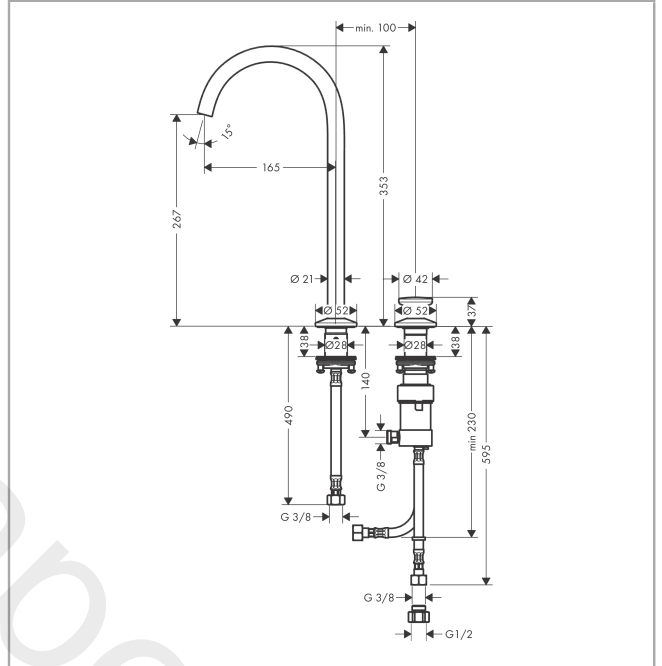
AXOR One
2-hole basin mixer Select 260 with push-open waste set
 Finish: **Chrome** Article Number: **48060000**



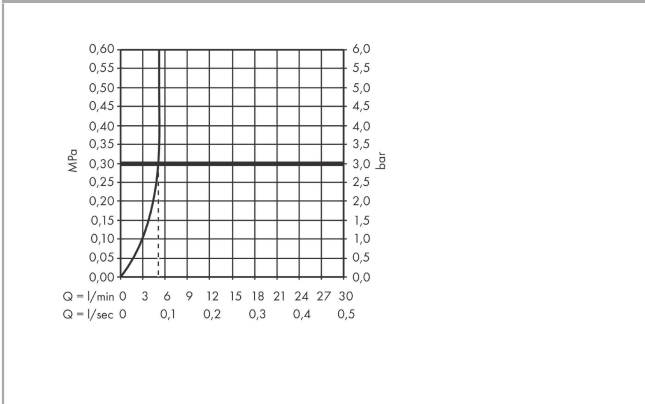
Product image



Scale drawing



Flowchart

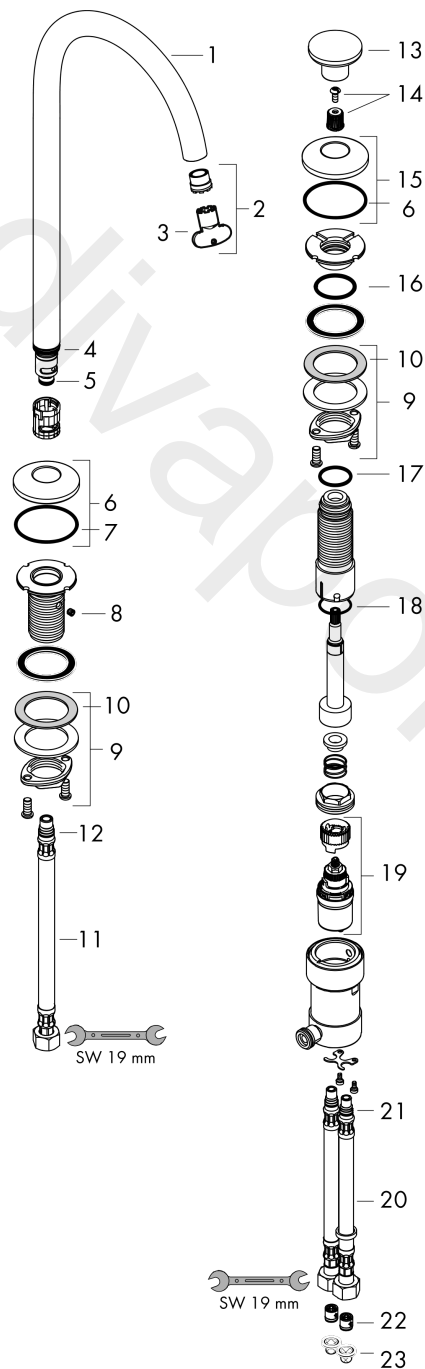


AXOR One
2-hole basin mixer Select 260 with push-open waste set
Finish: **Chrome** Article Number: **48060000**



Exploded Drawing

Year of production: >04/21



AXOR One
2-hole basin mixer Select 260 with push-open waste set
 Finish: **Chrome** Article Number: **48060000**



Spare part list

Year of production: >04/21

Pos.		Article Number	Price	PU
1	spout cpl.	93996000	£ 137,00	1
2	aerator cpl.	93118000	£ 25,00	1
3	special tool	98987000	£ 9,00	1
4	O-ring 18x1,5	98231000	£ 3,30	1
5	O-ring 9x1,5	98117000	£ 3,30	1
6	escutcheon	93998000	£ 43,00	1
7	O-Ring 46x2	98195000	£ 3,30	1
8	hollow set screw M5x5	98446000	£ 3,30	1
9	fixing set (Ø 28)	92909000	£ 43,00	1
10	lever collar	97548000	£ 3,30	1
11	connection hose 450 mm M10x1 G3/8	96507000	£ 43,00	1
12	O-ring 8x1,75	97827000	£ 3,30	1
13	handle	93997000	£ 51,00	1
14	handle fixing set	98932000	£ 16,10	1
15	-	94893000	-	1
16	O-ring 28x2,5	98209000	£ 3,30	1
17	O-Ring 22x2	98185000	£ 3,30	1
18	O-ring 23x1,5	92287000	£ 3,30	1
19	cartridge, assy	92529000	£ 110,00	1
20	connection hose 450 mm M8x0,75 G3/8	93405000	£ 43,00	1
21	O-ring 7x1,5	98422000	£ 3,30	1
22	non return valve DW 10	96456000	£ 9,00	1
23	filter packing	95291000	£ 13,30	1
a	push-open waste set	50100000	£ 78,00	1