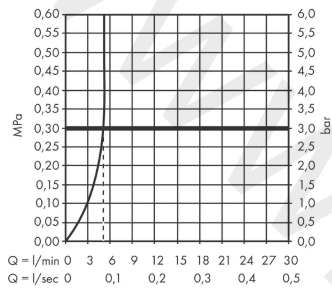




**AXOR One**  
**3-hole basin mixer 170 with push-open waste set**  
Finish: **Matt Black** Article Number: **48050670**



## Flowchart

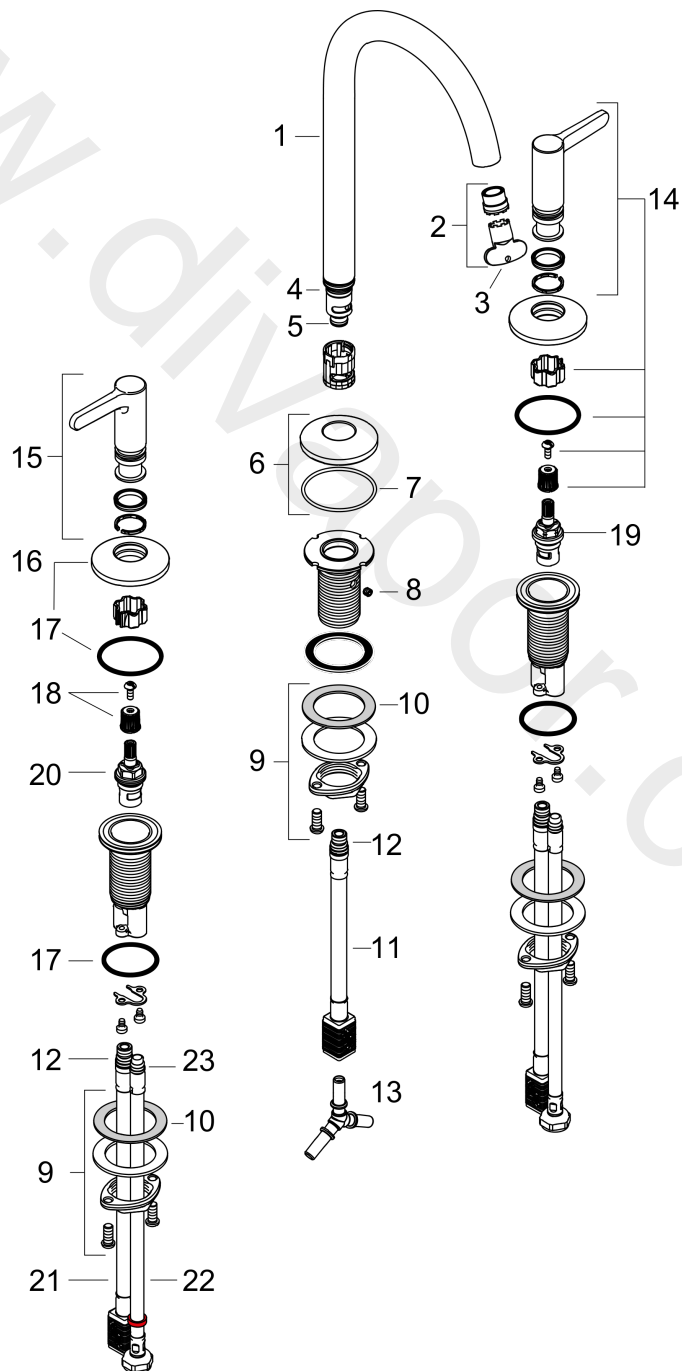


**AXOR One**  
**3-hole basin mixer 170 with push-open waste set**  
 Finish: **Matt Black** Article Number: **48050670**



## Exploded Drawing

Year of production: >04/21



**AXOR One**  
**3-hole basin mixer 170 with push-open waste set**  
 Finish: **Matt Black** Article Number: **48050670**



## Spare part list

Year of production: >04/21

Pos.		Article Number	Price	PU
1	spout cpl.	94100670	£ 163,00	1
2	aerator cpl.	93118000	£ 25,00	1
3	special tool	98987000	£ 9,00	1
4	O-ring 18x1,5	98231000	£ 3,30	1
5	O-ring 9x1,5	98117000	£ 3,30	1
6	escutcheon	93998670	£ 64,00	1
7	O-Ring 46x2	98195000	£ 3,30	1
8	hollow set screw M5x5	98446000	£ 3,30	1
9	fixing set (Ø 28)	92909000	£ 43,00	1
10	lever collar	97548000	£ 3,30	1
11	connection hose 200 mm M10x1	92913000	£ 51,00	1
12	O-ring 8x1,75	97827000	£ 3,30	1
13	hose connection angel	92905000	£ 43,00	1
14	handle for cold water	94161670	-	1
15	handle for hot water	94160670	-	1
16	escutcheon for handle	94162670	-	1
17	O-ring 33x2,5	92907000	£ 3,30	1
18	handle fixing set	98932000	£ 16,10	1
19	shut off unit left closing	95366000	£ 43,00	1
20	shut off unit right closing	98817000	£ 35,00	1
21	connection hose 400 mm M10x1	92914000	£ 64,00	1
22	connection hose 450 mm M8x0,75 G3/8	97206000	£ 35,00	1
23	O-ring 6,6x1,6	93019000	£ 3,30	1