

AXOR One
Basin mixer Select 140 with push-open waste set
 Finish: **Chrome** Article Number: **48010000**



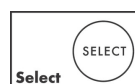
product features

- consists of: Basin mixer, waste set
- ComfortZone 140
- projection: 122 mm
- spout height: 140 mm
- handle variant: Select
- spray type: normal spray
- maximum flow rate at 3 bar: 5 l/min
- Select cartridge with temperature control
- temperature limitation adjustable
- suitable for continuous flow water heaters
- push-open waste set G 1¼
- material waste set: metal
- connection type: G ¾ connections
- connection dimension: DN15
- cold water in basic handle position
- EU taxonomy: max. 6 l/min - Substantial Contribution (SC) possible
- WRAS 2205362
- WRAS 2205362 - Approval letter

Article Details

Price excl. VAT 462,50 £

Technology



Design awards



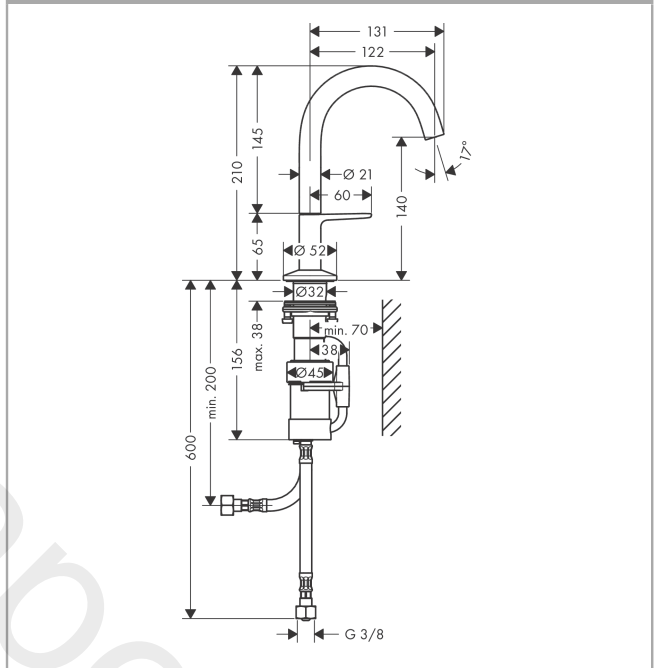
AXOR One
Basin mixer Select 140 with push-open waste set
 Finish: **Chrome** Article Number: **48010000**



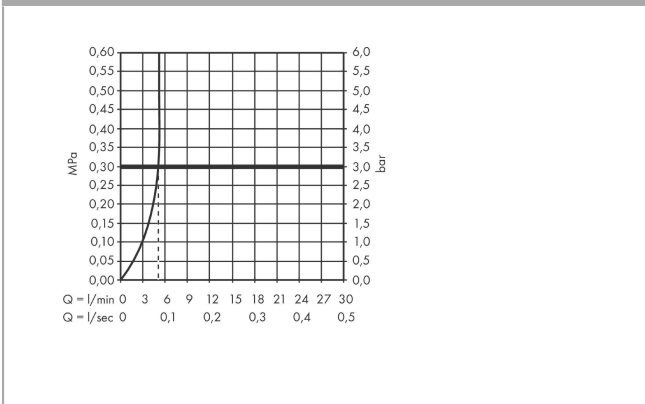
Product image



Scale drawing



Flowchart

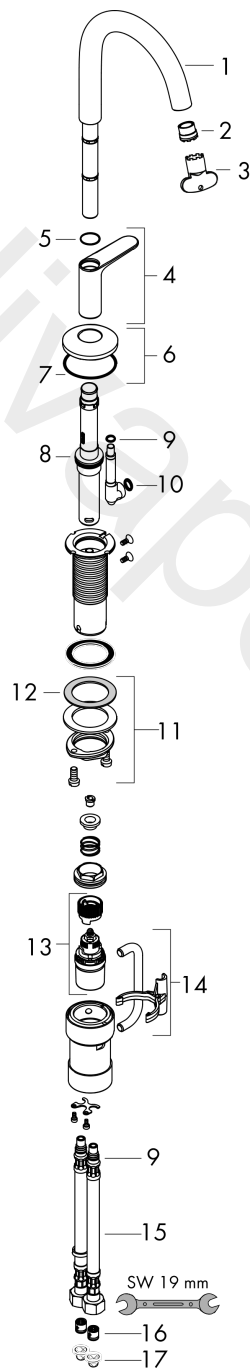


AXOR One
Basin mixer Select 140 with push-open waste set
Finish: **Chrome** Article Number: **48010000**



Exploded Drawing

Year of production: >04/21



AXOR One
Basin mixer Select 140 with push-open waste set
 Finish: **Chrome** Article Number: **48010000**



Spare part list

Year of production: >04/21

Pos.		Article Number	Price	PU
1	spout cpl.	94233000	£ 110,00	1
2	aerator cpl.	93118000	£ 25,00	1
3	special tool	98987000	£ 9,00	1
4	handle	94238000	£ 137,00	1
5	-	94259000	£ 3,30	1
6	escutcheon	93998000	£ 43,00	1
7	O-Ring 46x2	98195000	£ 3,30	1
8	O-ring 24x2,5	98145000	£ 3,30	1
9	O-ring 7x1,5	98422000	£ 3,30	1
10	O-ring 8x2	98112000	£ 3,30	1
11	fixing set (Ø 32)	13961000	£ 25,00	1
12	lever collar	97548000	£ 3,30	1
13	cartridge, assy	92529000	£ 110,00	1
14	connection angel	94262000	£ 64,00	1
15	connection hose 450 mm M8x0,75 G3/8	93405000	£ 43,00	1
16	non return valve DW 10	96456000	£ 9,00	1
17	filter packing	95291000	£ 13,30	1
a	push-open waste set	50100000	£ 78,00	1
b	fixation extension 35 mm	13898000	£ 79,00	1