

AXOR One
Single lever basin mixer 70 with lever handle and waste set
 Finish: **Chrome** Article Number: **48001000**



product features

- consists of: single lever basin mixer, waste set
- ComfortZone 70
- projection: 130 mm
- spout height: 70 mm
- handle variant: lever handle
- spray type: normal spray
- maximum flow rate at 3 bar: 5 l/min
- ceramic cartridge
- temperature limitation adjustable
- suitable for continuous flow water heaters
- non-closing waste set
- material waste set: metal
- connection type: G 3/8 connections
- connection dimension: DN15
- EU taxonomy: max. 6 l/min - Substantial Contribution (SC) possible

Article Details

Price excl. VAT 375,00 £

Technology



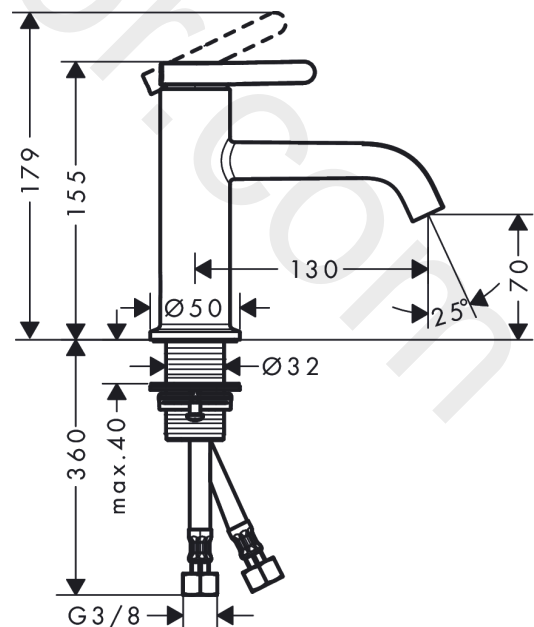
Design awards



Product image



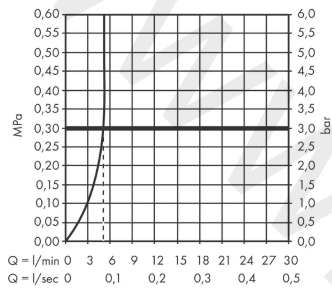
Scale drawing



AXOR One
Single lever basin mixer 70 with lever handle and waste set
Finish: **Chrome** Article Number: **48001000**



Flowchart

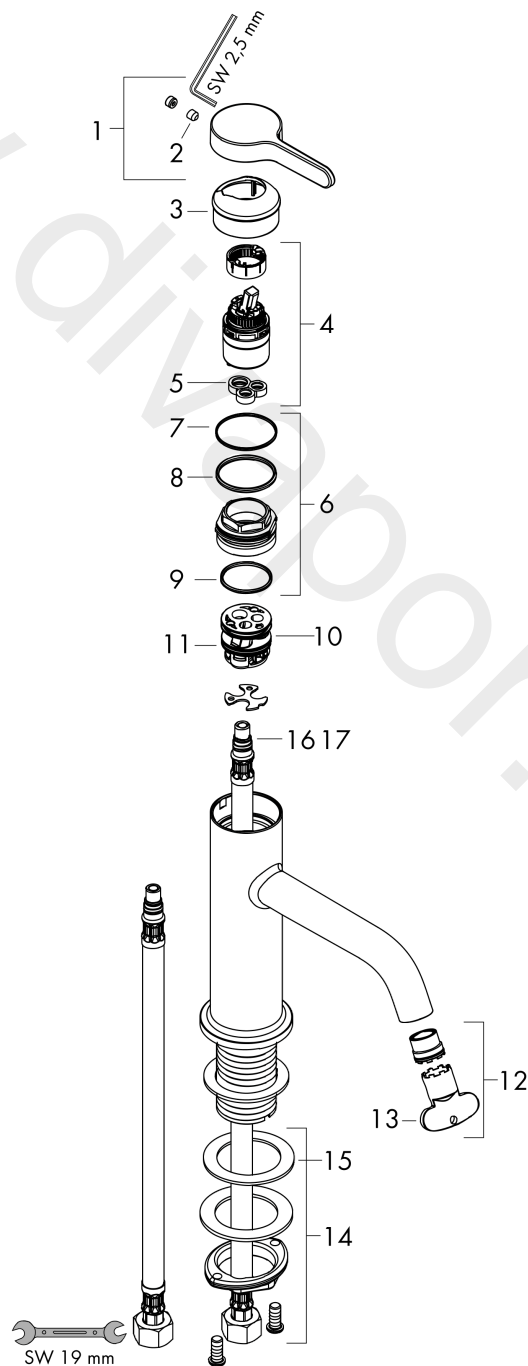


AXOR One
Single lever basin mixer 70 with lever handle and waste set
Finish: **Chrome** Article Number: **48001000**



Exploded Drawing

Year of production: >04/21



AXOR One
Single lever basin mixer 70 with lever handle and waste set
 Finish: **Chrome** Article Number: **48001000**



Spare part list

Year of production: >04/21

Pos.		Article Number	Price	PU
1	handle	93968000	£ 51,00	1
2	hollow set screw M5x5	98446000	£ 3,30	1
3	flange	93737000	£ 43,00	1
4	cartridge, assy	93760000	£ 96,00	1
5	seal	93383000	£ 13,30	1
6	nut	92926000	£ 16,10	1
7	O-ring 30x1,5	98433000	£ 3,30	1
8	O-ring 29x2	98391000	£ 3,30	1
9	O-ring 25x1,5	98146000	£ 3,30	1
10	adapter for cartridge	98866000	£ 35,00	1
11	O-ring 23x2	98398000	£ 3,30	1
12	aerator cpl.	93118000	£ 25,00	1
13	special tool	98987000	£ 9,00	1
14	fixing set (Ø 32)	13961000	£ 25,00	1
15	lever collar	97548000	£ 3,30	1
16	connection hose 450 mm M8x0,75 G3/8	97206000	£ 35,00	1
17	O-ring 7x1,5	98422000	£ 3,30	1
a	pop up waste	51301000	£ 87,00	1
b	fixation extension 35 mm	13898000	£ 79,00	1