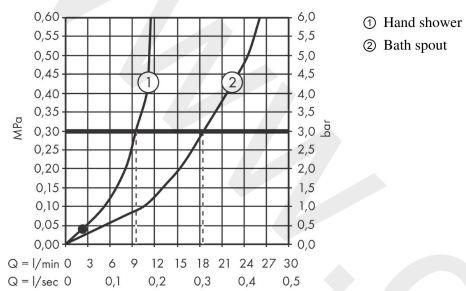


AXOR MyEdition
Single lever bath mixer floor-standing without plate
 Finish: **Chrome** Article Number: **47442007**



Flowchart

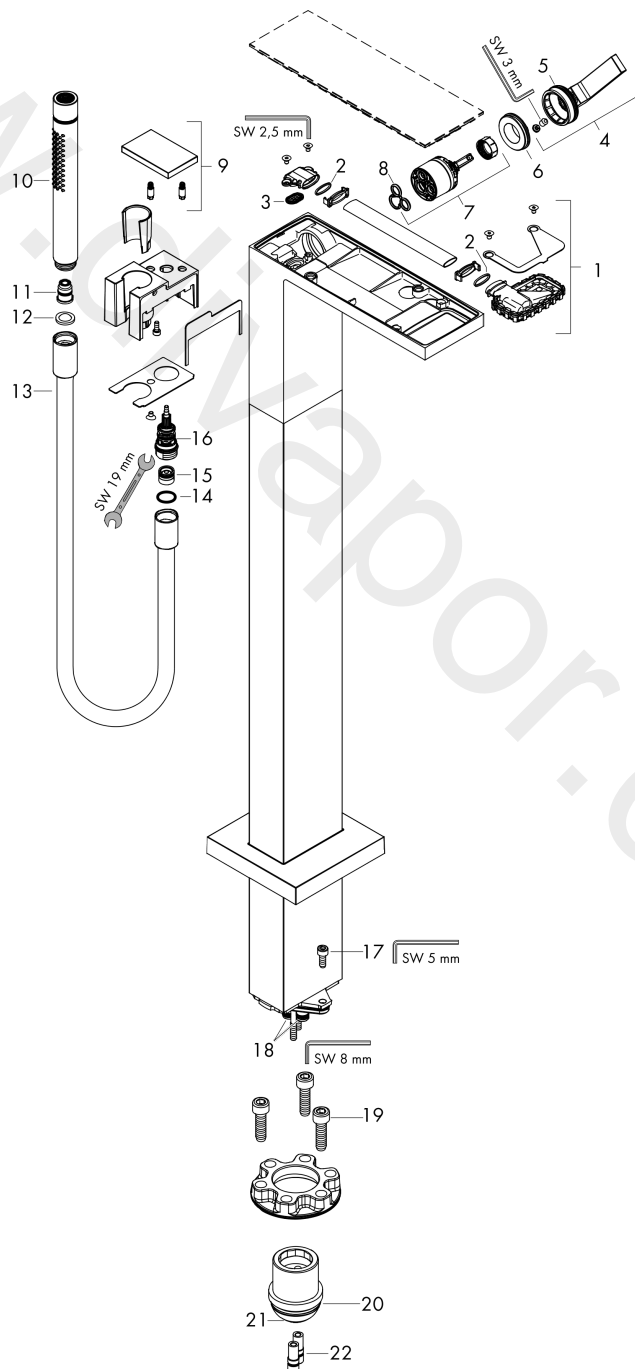


AXOR MyEdition
Single lever bath mixer floor-standing without plate
 Finish: **Chrome** Article Number: **47442007**



Exploded Drawing

Year of production: >07/19



AXOR MyEdition
Single lever bath mixer floor-standing without plate
 Finish: **Chrome** Article Number: **47442007**



Spare part list

Year of production: >07/19

Pos.		Article Number	Price	PU
1	spray former	93376000	£ 96,00	1
2	O-ring 13x1,5	98475000	£ 3,30	1
3	filter packing	93378000	£ 25,00	1
4	handle	93361000	£ 173,00	1
5	O-ring 35x1,5	92114000	£ 6,10	1
6	nut	93363000	£ 43,00	1
7	cartridge, assy	93185000	£ 137,00	1
8	seal	95008000	£ 9,00	1
9	diverter knob	93362000	£ 275,00	1
10	handshower	28532007	-	1
11	back flow preventor cartridge	93339000	£ 20,50	1
12	filter packing	94246000	£ 3,30	1
13	shower hose 1,25 m	28282000	£ 67,00	1
14	seal	98058000	£ 3,30	1
15	set of non return valves DW 15	94074000	£ 16,10	1
16	selector	97978000	£ 64,00	1
17	hexagon socket screw M6x16	92857000	£ 3,30	1
18	O-ring 9x1,5	98117000	£ 3,30	1
19	hexagon socket screw M10x35	97670000	£ 16,10	1
20	O-ring 44x2,5	98162000	£ 3,30	1
21	O-ring 29x3	98371000	£ 6,10	1
22	O-ring 7x2	98419000	£ 3,30	1
a	-	10452187	-	1
b	extension set 60 mm	97686000	£ 320,00	1
c	-	47901007	-	1
d	-	47901607	-	1
e	cover	47904140	£ 282,00	1
f	-	47907007	-	1
g	-	47910007	-	1
h	-	47914007	-	1
i	-	47917007	-	1
j	-	47904007	-	1