

**AXOR MyEdition**  
**Single lever bath mixer floor-standing without plate**  
 Finish: **Chrome** Article Number: **47442001**



### product features

- 2 functions
- projection: 196 mm
- spray type mixer: normal spray
- spray type hand shower: Stream, IntenseRain
- maximum flow rate at 3 bar: 20 l/min
- flow rate of hand shower at 3 bar: 6,6 l/min
- Ceramic cartridge
- temperature limitation adjustable
- diverter with automatic resetting
- non-return valve
- connection dimension: DN15
- connection type: basic set
- deck mounted
- min. operating pressure: 1 bar
- max. operating pressure: 10 bar

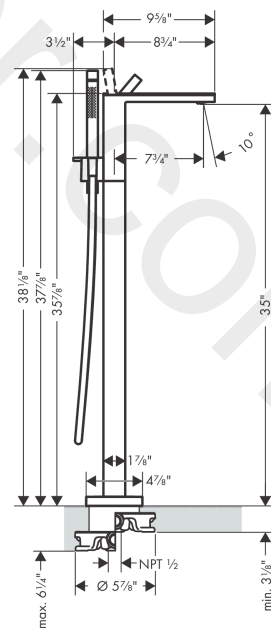
### Technology



### Product image



### Scale drawing

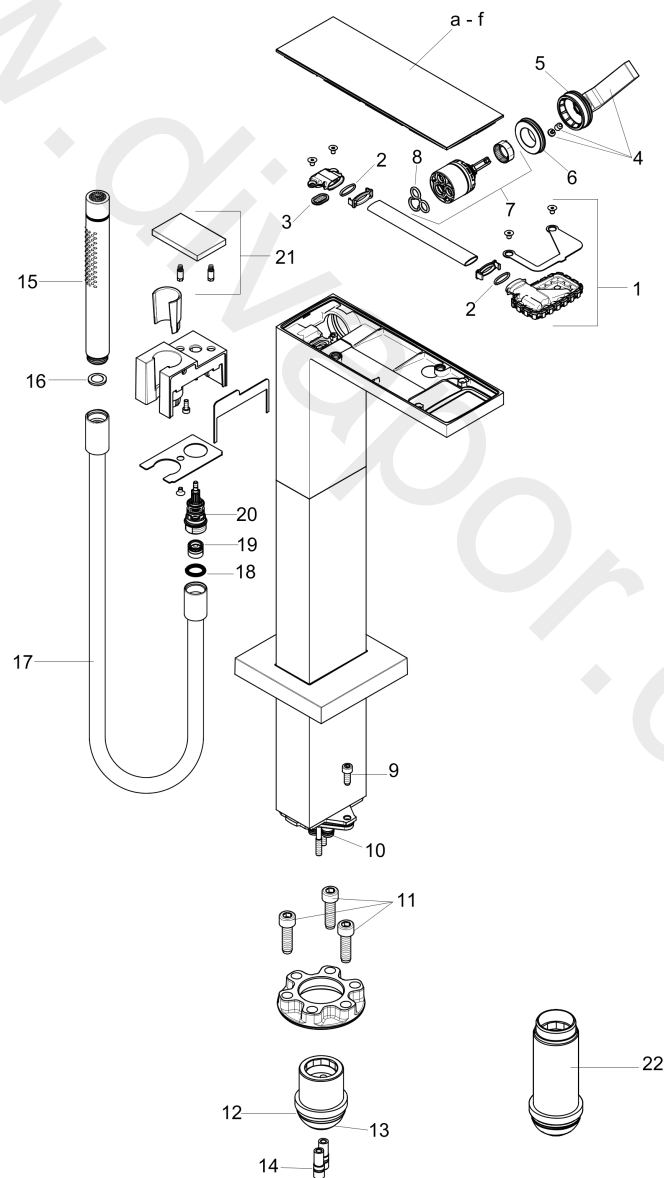


**AXOR MyEdition**  
**Single lever bath mixer floor-standing without plate**  
Finish: **Chrome** Article Number: **47442001**



## Exploded Drawing

Year of production: >02/19



**AXOR MyEdition**  
**Single lever bath mixer floor-standing without plate**  
 Finish: **Chrome** Article Number: **47442001**



## Spare part list

Year of production: >02/19

Pos.		Article Number	Price	PU
1	spray former	93376000	£ 96,00	1
2	O-ring 13x1,5	98475000	£ 3,30	1
3	filter packing	93378000	£ 25,00	1
4	handle	93361000	£ 173,00	1
5	O-ring 35x1,5	92114000	£ 6,10	1
6	nut	93363000	£ 43,00	1
7	cartridge, assy	93185000	£ 137,00	1
8	seal	95008000	£ 9,00	1
9	hexagon socket screw M6x16	92857000	£ 3,30	1
10	O-ring 9x1,5	98117000	£ 3,30	1
11	hexagon socket screw M10x35	97670000	£ 16,10	1
12	O-ring 44x2,5	98162000	£ 3,30	1
13	O-ring 29x3	98371000	£ 6,10	1
14	O-ring 7x2	98419000	£ 3,30	1
15	handshower	04486000	-	1
16	filter packing	94246000	£ 3,30	1
17	shower hose 1,25 m	28282000	£ 67,00	1
18	seal	98058000	£ 3,30	1
19	set of non return valves DW 15	94074000	£ 16,10	1
20	selector	97978000	£ 64,00	1
21	diverter knob	93362000	£ 275,00	1
22	extension set 60 mm	97686000	£ 320,00	1
a	cover	47907000	£ 565,00	1
b	cover	47910000	£ 565,00	1
c	cover	47914000	£ 565,00	1
d	cover	47917000	£ 565,00	1
e	cover	47904000	£ 188,00	1
f	cover	47901000	£ 188,00	1