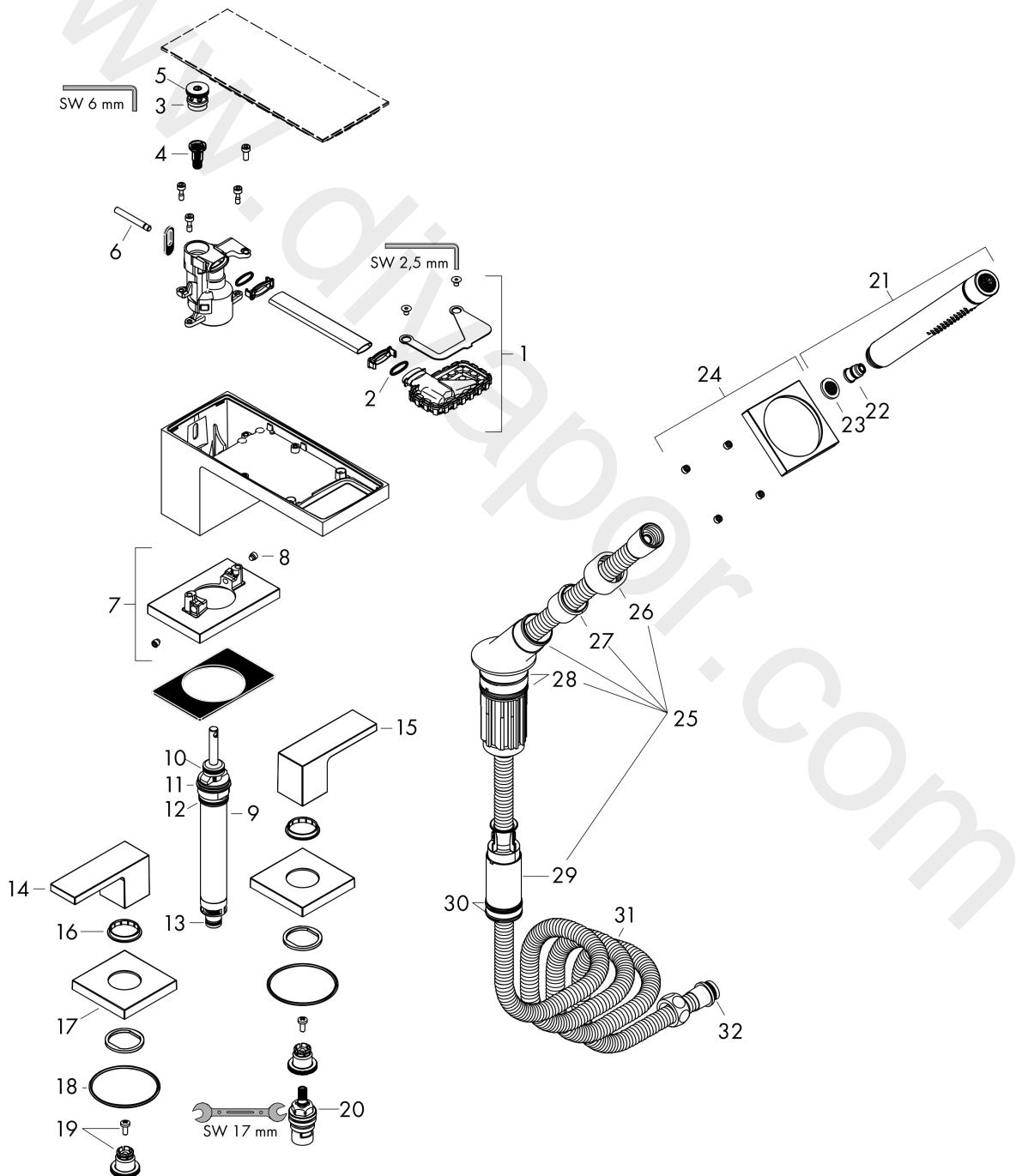


AXOR MyEdition
4-hole rim mounted bath mixer without plate
 Surfaces: Article Number: **47432357**



Exploded Drawing

Year of production: **07/19 - 04/20**



AXOR MyEdition
4-hole rim mounted bath mixer without plate
 Surfaces: Article Number: **47432357**



Spare part list

Year of production: **07/19 - 04/20**

Pos.		Article Number	Price	PU
1	spray former	93376350	-	1
2	O-ring 13x1,5	98475000	£ 3,30	1
3	service unit	93369000	-	1
4	filter insert	97708000	£ 6,10	1
5	O-ring 17x1,5	98137000	£ 3,30	1
6	diverter knob	98707350	-	-
7	escutcheon for spout	93368350	-	1
8	hollow set screw M6x6	97660000	£ 3,30	1
9	selector	94037000	£ 110,00	1
10	O-Ring 14x2,5	98189000	£ 3,30	1
11	O-Ring 23x2,5	98183000	£ 3,30	1
12	O-Ring 22x2	98185000	£ 3,30	1
13	O-ring 9x2,5	98217000	£ 3,30	1
14	handle for hot water	93364350	-	1
15	handle for cold water	93365350	-	1
16	set of color-rings cold / hot water	95819000	£ 13,30	1
17	escutcheon for handle	93366350	-	1
18	O-ring 56x2	98468000	£ 9,00	1
19	handle fixing set	94184000	£ 6,10	1
20	shut off unit left closing	94008000	£ 43,00	1
21	handshower	28532357	-	1
22	back flow preventor cartridge	93339000	£ 20,50	1
23	filter packing	94246000	£ 3,30	1
24	escutcheon for shower holder	93367350	-	1
25	shower holder, assy	95996350	-	-
26	nut	97584350	-	1
27	insert for shower holder	96942000	£ 13,30	1
28	O-ring 38x2,5	98198000	£ 6,10	1
29	hose brake	98656000	£ 20,50	1
30	O-Ring 28x2	98194000	£ 3,30	1
31	shower hose 2,00 m	94148000	£ 79,00	1
32	O-ring 11x2	98127000	£ 3,30	1
a	-	47906007	-	1
b	-	47909007	-	1

AXOR MyEdition
4-hole rim mounted bath mixer without plate
Surfaces: Article Number: **47432357**



Spare part list

Year of production: **07/19 - 04/20**

Pos.		Article Number	Price	PU
c	-	47913007	-	1
d	-	47916007	-	1
e	-	47903357	-	1
f	-	47900007	-	1