

AXOR MyEdition

Bath spout without plate

Finish: **Chrome** Article Number: **47412000**



product features

- 1 function
- projection: 176 mm
- wall-mounted
- maximum flow rate at 3 bar: 24 l/min
- connection dimension: DN15
- spray type: normal spray

Article Details

Price excl. VAT

366,67 £

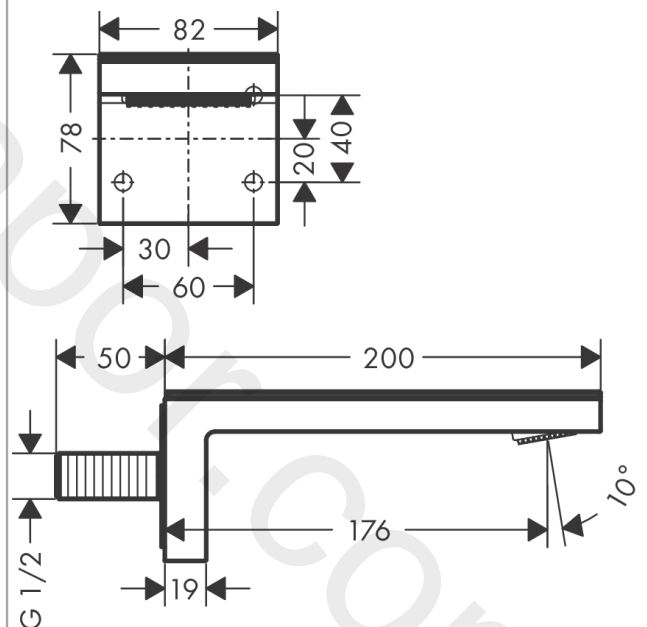
Technology



Product image



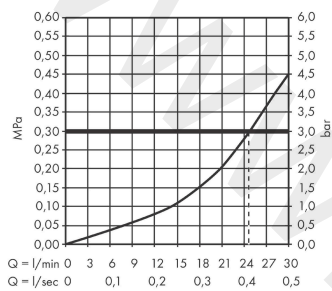
Scale drawing



AXOR MyEdition
Bath spout without plate
 Finish: **Chrome** Article Number: **47412000**



Flowchart



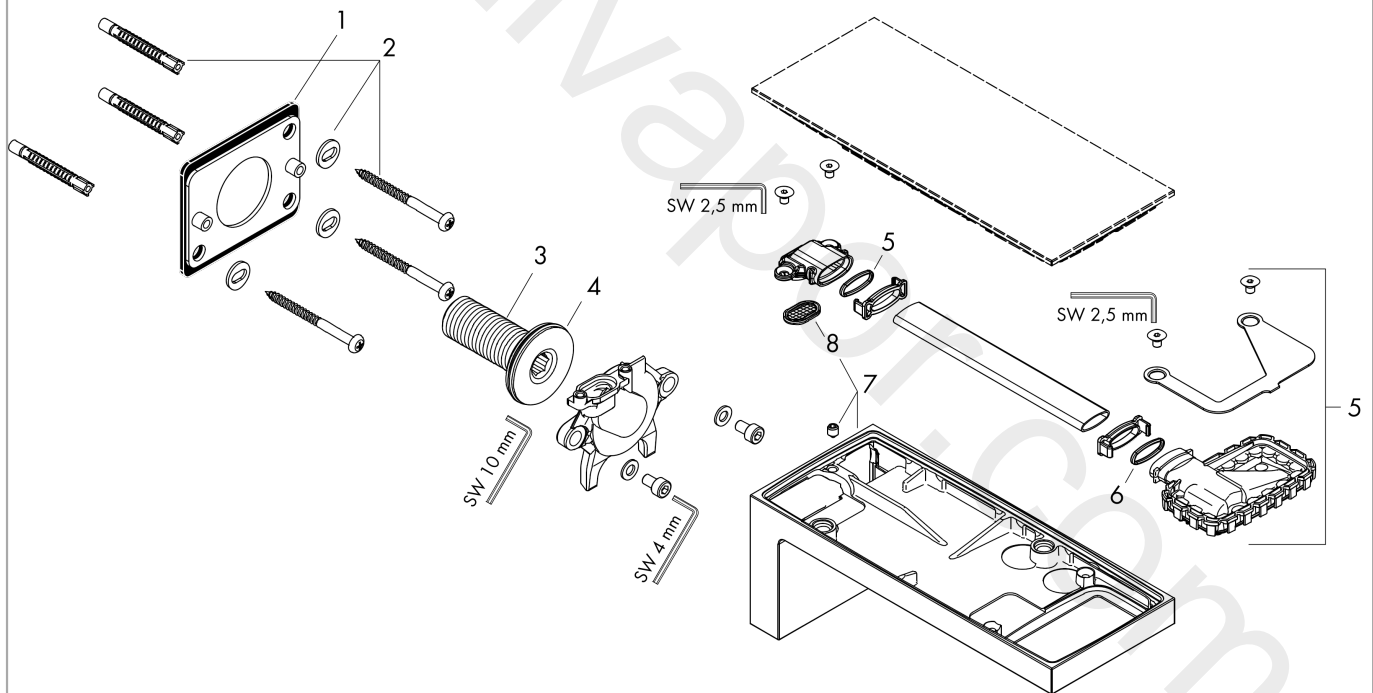
The consumption was measured in combination with the appropriate fittings (thermosta/mixer/
 in-wall valve) to reflect actual application in practice.

AXOR MyEdition
Bath spout without plate
Finish: **Chrome** Article Number: **47412000**



Exploded Drawing

Year of production: >10/18



AXOR MyEdition
Bath spout without plate
 Finish: **Chrome** Article Number: **47412000**



Spare part list

Year of production: >10/18

Pos.		Article Number	Price	PU
1	installation plate	93925000	£ 51,00	1
2	mounting set	96179000	£ 13,30	1
3	connecting thread G½	93387000	£ 173,00	1
4	O-ring 36x2	98156000	£ 3,30	1
5	spray former	93376000	£ 96,00	1
6	O-ring 13x1,5	98475000	£ 3,30	1
7	spout 200 mm	93375000	-	1
8	filter packing	93378000	£ 25,00	1
a	cover	47906000	£ 440,00	1
b	cover	47909000	£ 440,00	1
c	cover	47913000	£ 440,00	1
d	cover	47916000	£ 440,00	1