

## AXOR MyEdition

Single lever basin mixer for concealed installation wall-mounted with spout 221 mm without plate

Finish: **Chrome** Article Number: **47062001**



### product features

- projection: 221 mm
- handle variant: lever handle
- spray type: PowderRain
- maximum flow rate at 3 bar: 4,5 l/min
- ceramic cartridge
- temperature limitation adjustable
- with isolated water conduction - without contact with nickel and lead
- suitable for continuous flow water heaters
- connection type: basic set
- connection dimension: DN15
- handle can be positioned on the right or left, depending on the basic set installation

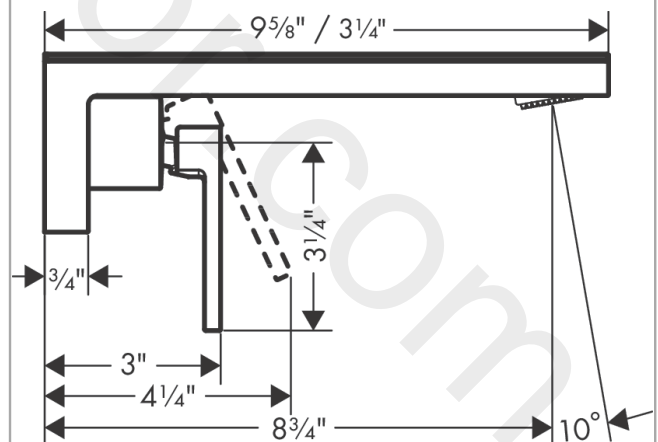
### Technology



### Product image



### Scale drawing



## AXOR MyEdition

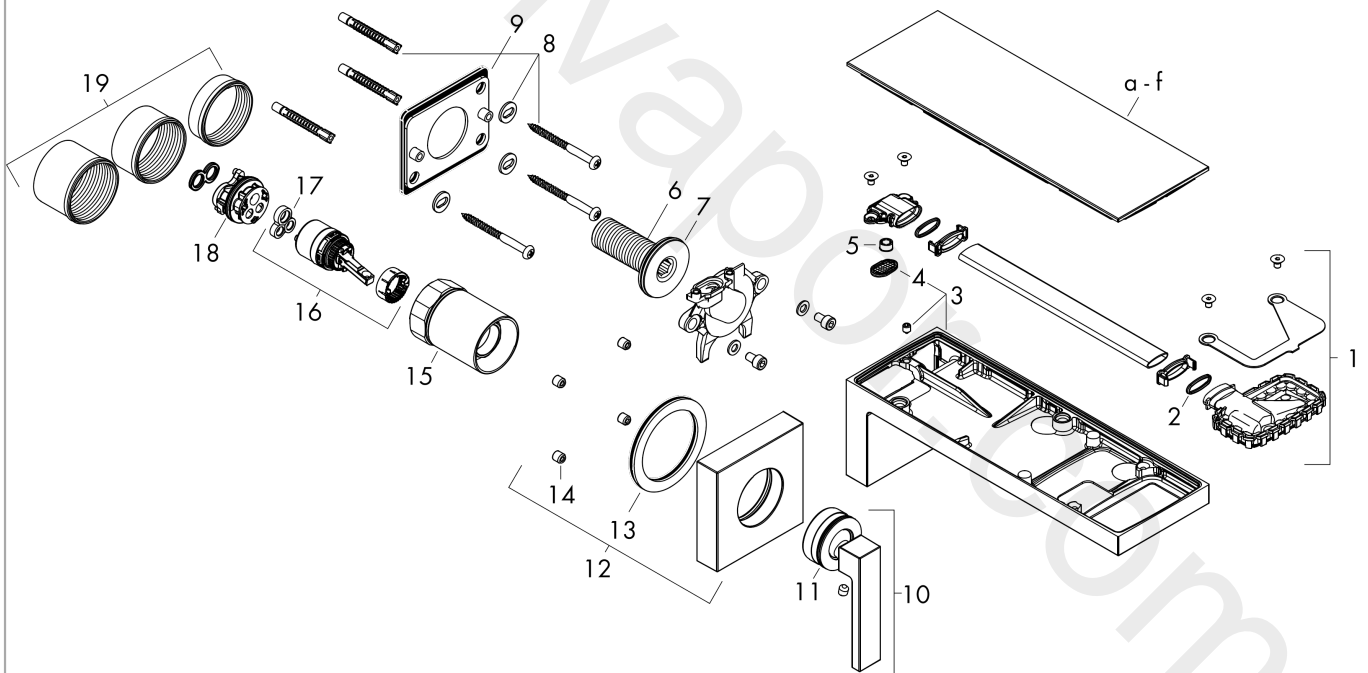
Single lever basin mixer for concealed installation wall-mounted with spout 221 mm without plate

Finish: **Chrome** Article Number: **47062001**



### Exploded Drawing

Year of production: >02/19



## AXOR MyEdition

Single lever basin mixer for concealed installation wall-mounted with spout 221 mm without plate

Finish: **Chrome** Article Number: **47062001**



### Spare part list

Year of production: >02/19

Pos.		Article Number	Price	PU
1	spray former	93385000	£ 110,00	1
2	O-ring 13x1,5	98475000	£ 3,30	1
3	spout 220 mm	93370000	£ 585,00	1
4	filter packing	93374000	£ 20,50	1
5	flow limiter (5 l/min)	95311000	£ 6,10	1
6	connecting thread G½	93387000	£ 173,00	1
7	O-ring 36x2	98156000	£ 3,30	1
8	mounting set	96179000	£ 13,30	1
9	installation plate	93925000	£ 51,00	1
10	handle	93372000	£ 137,00	1
11	O-ring 33x1,5	98164000	£ 3,30	1
12	escutcheon for handle	93371000	£ 96,00	1
13	washer	97600000	£ 13,30	1
14	screw cover	96762000	£ 3,30	1
15	sleeve	93373000	£ 110,00	1
16	cartridge, assy	92900000	£ 64,00	1
17	seal	93383000	£ 13,30	1
18	O-ring 26x2	98147000	£ 3,30	1
19	fixing set	97971000	£ 43,00	1
a	cover	47907000	£ 565,00	1
b	cover	47910000	£ 565,00	1
c	cover	47914000	£ 565,00	1
d	cover	47917000	£ 565,00	1
e	cover	47904000	£ 188,00	1
f	cover	47901000	£ 188,00	1
g	extension 25 mm	13586000	£ 169,00	1
h	installation plate	93407000	£ 137,00	1