

AXOR MyEdition

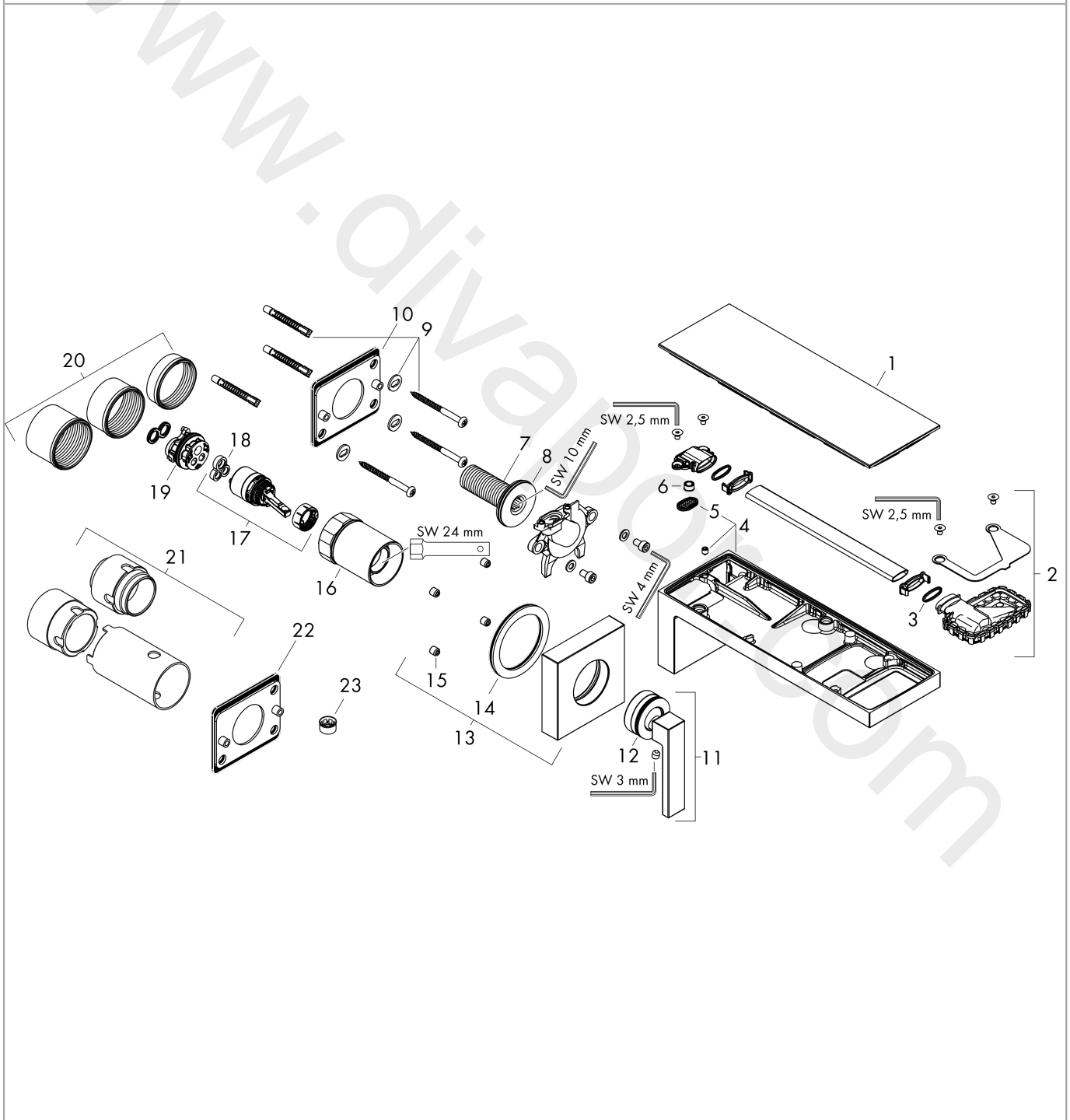
Single lever basin mixer for concealed installation wall-mounted with spout 221 mm

Surfaces: Article Number: 47060350



Exploded Drawing

Year of production: 07/19 - 04/20



AXOR MyEdition

Single lever basin mixer for concealed installation wall-mounted with spout 221 mm

Surfaces: Article Number: **47060350**



Spare part list

Year of production: **07/19 - 04/20**

Pos.		Article Number	Price	PU
1	cover	47901600	£ 188,00	1
2	spray former	93385350	-	1
3	O-ring 13x1,5	98475000	£ 3,30	1
4	spout 220 mm	93370350	-	1
5	filter packing	93374000	£ 20,50	1
6	flow limiter (5 l/min)	95311000	£ 6,10	1
7	connecting thread G½	93387000	£ 173,00	1
8	O-ring 36x2	98156000	£ 3,30	1
9	mounting set	96179000	£ 13,30	1
10	installation plate	93925000	£ 51,00	1
11	handle	93372350	£ 202,00	1
12	O-ring 33x1,5	98164000	£ 3,30	1
13	escutcheon for handle	93371350	-	1
14	washer	97600000	£ 13,30	1
15	screw cover	96762000	£ 3,30	1
16	sleeve	93373350	-	1
17	cartridge, assy	92900000	£ 64,00	1
18	seal	93383000	£ 13,30	1
19	O-ring 26x2	98147000	£ 3,30	1
20	fixing set	97971000	£ 43,00	1
21	extension 25 mm	13586000	£ 169,00	1
22	installation plate	93407000	£ 137,00	1
23	flow limiter (4 l/min)	92560000	-	1