

AXOR MyEdition

Single lever basin mixer for concealed installation wall-mounted with spout 221 mm

Finish: **Chrome/Mirror Glass** Article Number: **47060000**



product features

- consists of: single lever basin mixer for concealed installation wall-mounted, plate, waste set
- projection: 221 mm
- handle variant: lever handle
- plate of glass made of safety glass
- spray type: PowderRain
- maximum flow rate at 3 bar: 5 l/min
- ceramic cartridge
- temperature limitation adjustable
- with isolated water conduction - without contact with nickel and lead
- suitable for continuous flow water heaters
- non-closing waste set
- connection type: basic set
- connection dimension: DN15
- handle can be positioned on the right or left, depending on the basic set installation
- EU taxonomy: max. 6 l/min - Substantial Contribution (SC)

Article Details

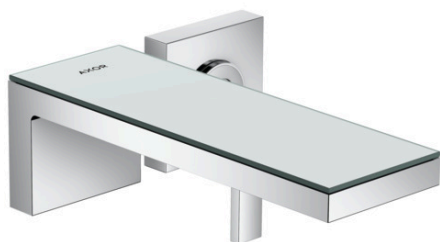
Price excl. VAT

925,00 £

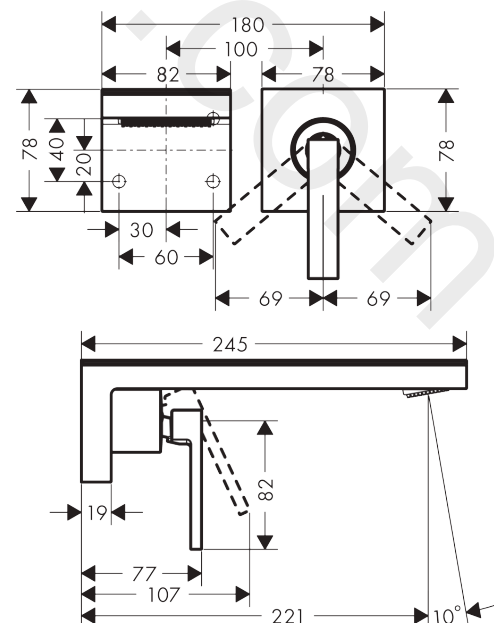
Technology



Product image



Scale drawing



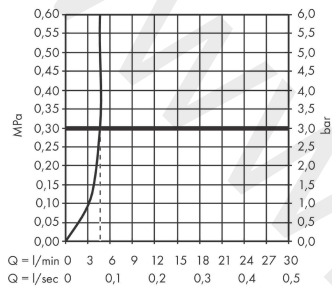
AXOR MyEdition

Single lever basin mixer for concealed installation wall-mounted with spout 221 mm

Finish: **Chrome/Mirror Glass** Article Number: **47060000**



Flowchart

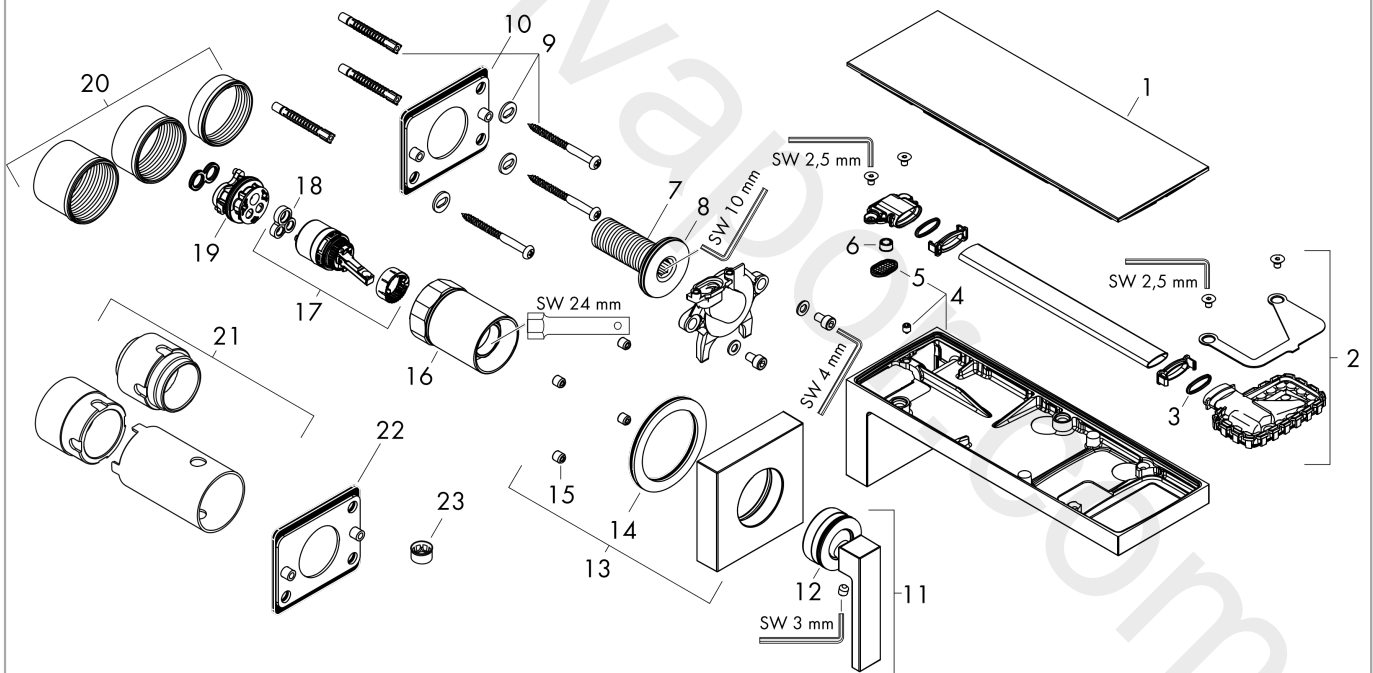


AXOR MyEdition
Single lever basin mixer for concealed installation wall-mounted with spout 221 mm
Finish: **Chrome/Mirror Glass** Article Number: **47060000**



Exploded Drawing

Year of production: >10/18



AXOR MyEdition

Single lever basin mixer for concealed installation wall-mounted with spout 221 mm

Finish: **Chrome/Mirror Glass** Article Number: **47060000**



Spare part list

Year of production: >10/18

Pos.		Article Number	Price	PU
1	cover	47901000	£ 188,00	1
2	spray former	93385000	£ 110,00	1
3	O-ring 13x1,5	98475000	£ 3,30	1
4	spout 220 mm	93370000	£ 585,00	1
5	filter packing	93374000	£ 20,50	1
6	flow limiter (5 l/min)	95311000	£ 6,10	1
7	connecting thread G½	93387000	£ 173,00	1
8	O-ring 36x2	98156000	£ 3,30	1
9	mounting set	96179000	£ 13,30	1
10	installation plate	93925000	£ 51,00	1
11	handle	93372000	£ 137,00	1
12	O-ring 33x1,5	98164000	£ 3,30	1
13	escutcheon for handle	93371000	£ 96,00	1
14	washer	97600000	£ 13,30	1
15	screw cover	96762000	£ 3,30	1
16	sleeve	93373000	£ 110,00	1
17	cartridge, assy	92900000	£ 64,00	1
18	seal	93383000	£ 13,30	1
19	O-ring 26x2	98147000	£ 3,30	1
20	fixing set	97971000	£ 43,00	1
21	extension 25 mm	13586000	£ 169,00	1
22	installation plate	93407000	£ 137,00	1
23	flow limiter (4 l/min)	92560000	-	1
a	pop up waste	51301000	£ 87,00	1