

AXOR MyEdition
3-hole basin mixer 70 with push-open waste set without plate 3 ticks
 Finish: **Chrome** Article Number: **47056009**



product features

- consists of: 3-hole basin mixer, waste set
- ComfortZone 70
- projection: 151 mm
- spout height: 70 mm
- handle variant: lever handle
- spray type: PowderRain
- maximum flow rate at 3 bar: 1,7 l/min
- ceramic valves hot/cold 90°
- with isolated water conduction - without contact with nickel and lead
- push-open waste set G 1¼
- connection type: G ½ connections
- connection dimension: DN15

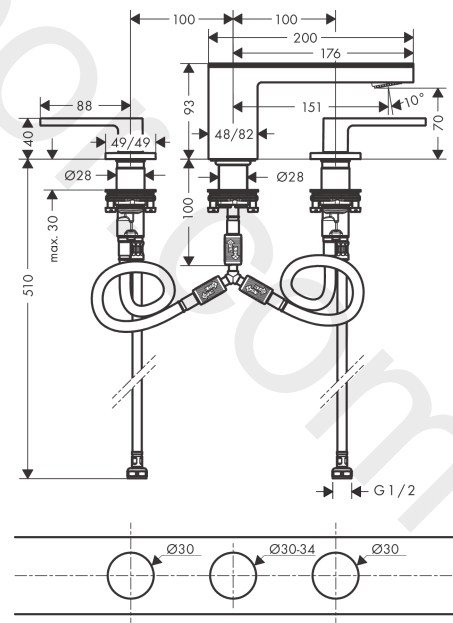
Technology



Product image



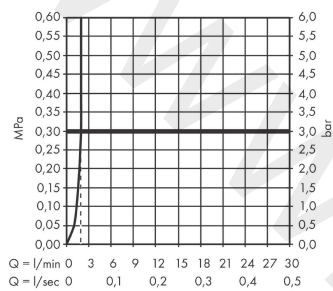
Scale drawing



AXOR MyEdition
3-hole basin mixer 70 with push-open waste set without plate 3 ticks
Finish: **Chrome** Article Number: **47056009**



Flowchart

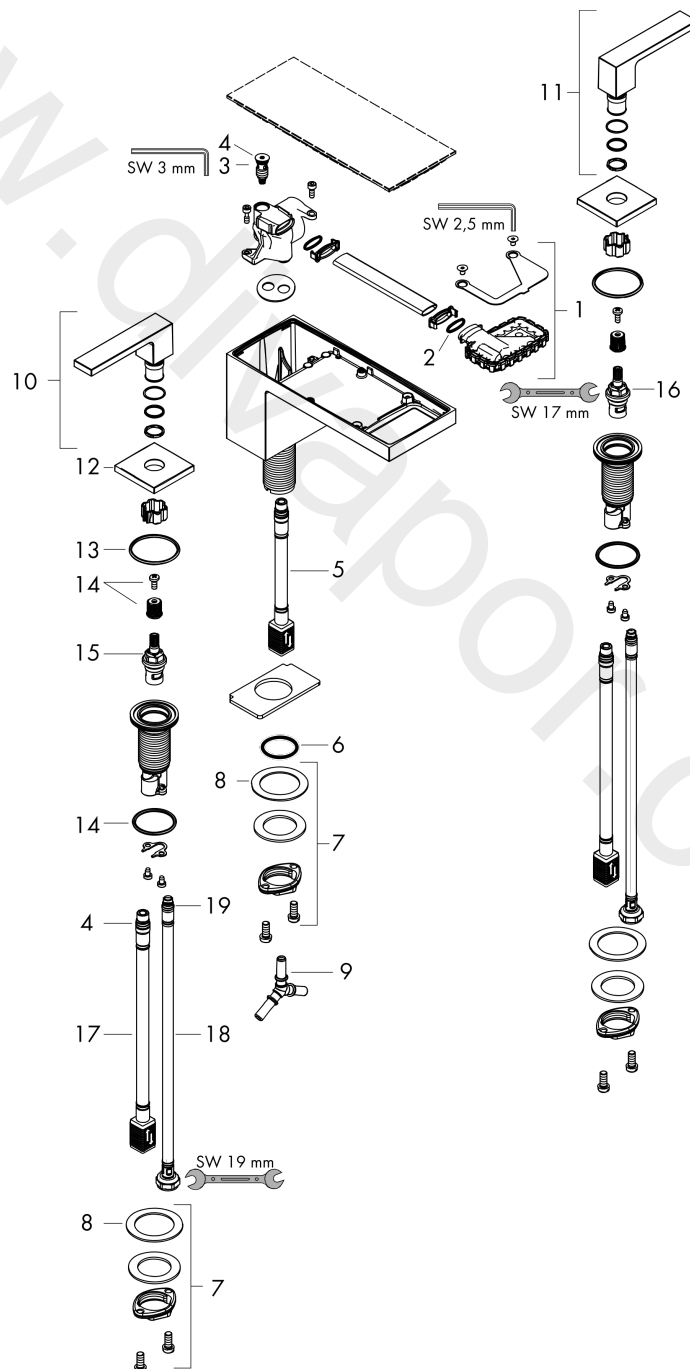


AXOR MyEdition
3-hole basin mixer 70 with push-open waste set without plate 3 ticks
 Finish: **Chrome** Article Number: **47056009**



Exploded Drawing

Year of production: >04/20



AXOR MyEdition
3-hole basin mixer 70 with push-open waste set without plate 3 ticks
 Finish: **Chrome** Article Number: **47056009**



Spare part list

Year of production: >04/20

Pos.		Article Number	Price	PU
1	spray former	93385000	£ 110,00	1
2	O-ring 13x1,5	98475000	£ 3,30	1
3	service unit	93384007	£ 51,00	1
4	O-ring 8x1,75	97827000	£ 3,30	1
5	connection hose 200 mm M10x1	92913000	£ 51,00	1
6	O-ring 26x4	92191000	-	1
7	fixing set (Ø 28)	92909000	£ 43,00	1
8	lever collar	97548000	£ 3,30	1
9	hose connection angel	92905000	£ 43,00	1
10	handle for cold water	93380000	£ 79,00	1
11	handle for hot water	93379000	£ 79,00	1
12	escutcheon for handle	93381000	-	1
13	O-ring 33x2,5	92907000	£ 3,30	1
14	handle fixing set	98932000	£ 16,10	1
15	shut off unit right closing	98817000	£ 35,00	1
16	shut off unit left closing	95366000	£ 43,00	1
17	connection hose 400 mm M10x1	92914000	£ 64,00	1
18	connection hose 450 mm G½	93020000	£ 35,00	1
19	O-ring 6,6x1,6	93019000	£ 3,30	1
a	push-open waste set	51300000	£ 94,00	1
b	cover	47906000	£ 440,00	1
c	cover	47909000	£ 440,00	1
d	cover	47913000	£ 440,00	1
e	cover	47916000	£ 440,00	1
f	cover	47903000	£ 144,00	1
g	cover	47900000	£ 144,00	1