

**AXOR MyEdition**  
**3-hole basin mixer 70 with push-open waste set without plate**  
 Finish: **Chrome** Article Number: **47052000**



### product features

- consists of: 3-hole basin mixer, waste set
- ComfortZone 70
- projection: 151 mm
- spout height: 70 mm
- handle variant: lever handle
- spray type: PowderRain
- maximum flow rate at 3 bar: 5 l/min
- ceramic valves hot/cold 90°
- with isolated water conduction - without contact with nickel and lead
- suitable for continuous flow water heaters
- push-open waste set G 1¼
- connection type: G ¾ connections
- connection dimension: DN15
- EU taxonomy: max. 6 l/min - Substantial Contribution (SC)

### Article Details

Price excl. VAT

891,67 £

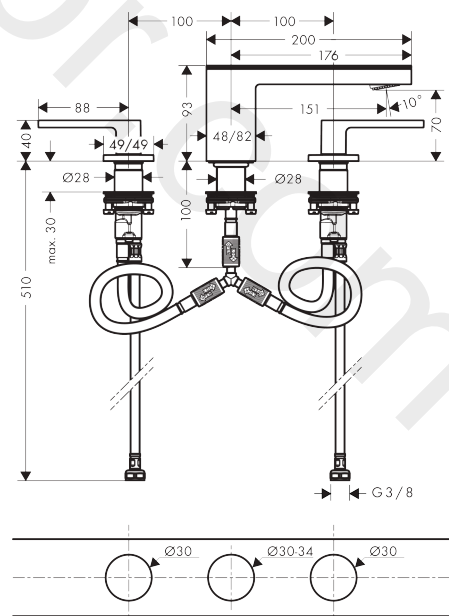
### Technology



### Product image



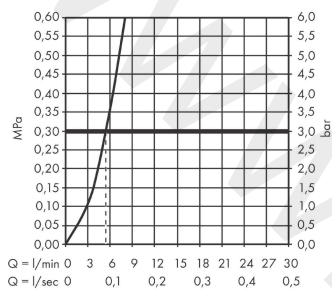
### Scale drawing



**AXOR MyEdition**  
**3-hole basin mixer 70 with push-open waste set without plate**  
Finish: **Chrome** Article Number: **47052000**



## Flowchart

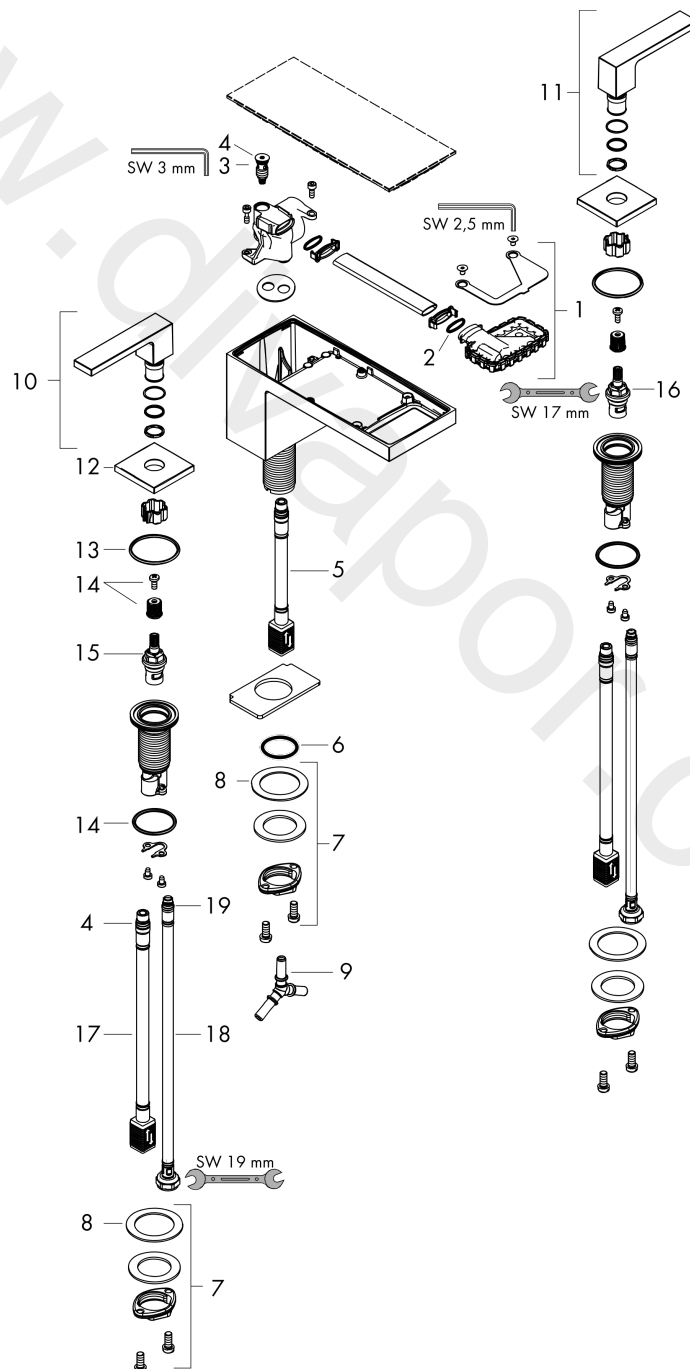


**AXOR MyEdition**  
**3-hole basin mixer 70 with push-open waste set without plate**  
 Finish: **Chrome** Article Number: **47052000**



## Exploded Drawing

Year of production: >01/19



**AXOR MyEdition**  
**3-hole basin mixer 70 with push-open waste set without plate**  
 Finish: **Chrome** Article Number: **47052000**



## Spare part list

Year of production: >01/19

Pos.		Article Number	Price	PU
1	spray former	93385000	£ 110,00	1
2	O-ring 13x1,5	98475000	£ 3,30	1
3	service unit	93384000	£ 51,00	1
4	O-ring 8x1,75	97827000	£ 3,30	1
5	flow limiter (5 l/min)	95311000	£ 6,10	1
6	connection hose 200 mm M10x1	92913000	£ 51,00	1
7	O-ring 26x4	92191000	-	1
8	fixing set (Ø 28)	92909000	£ 43,00	1
9	lever collar	97548000	£ 3,30	1
10	hose connection angel	92905000	£ 43,00	1
11	handle for hot water	93379000	£ 79,00	1
12	handle for cold water	93380000	£ 79,00	1
13	escutcheon for handle	93381000	-	1
14	O-ring 33x2,5	92907000	£ 3,30	1
15	handle fixing set	98932000	£ 16,10	1
16	shut off unit right closing	98817000	£ 35,00	1
17	shut off unit left closing	95366000	£ 43,00	1
18	connection hose 400 mm M10x1	92914000	£ 64,00	1
19	connection hose 450 mm M8x0,75 G3/8	97206000	£ 35,00	1
20	O-ring 6,6x1,6	93019000	£ 3,30	1
a	push-open waste set	51300000	£ 94,00	1
b	service unit	93384007	£ 51,00	1
c	cover	47906000	£ 440,00	1
d	cover	47909000	£ 440,00	1
e	cover	47913000	£ 440,00	1
f	cover	47916000	£ 440,00	1