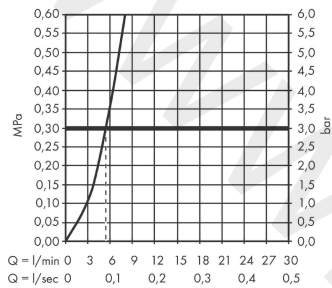


AXOR MyEdition
3-hole basin mixer 70 with push-open waste set
Finish: **Chrome/Mirror Glass** Article Number: **47050000**



Flowchart

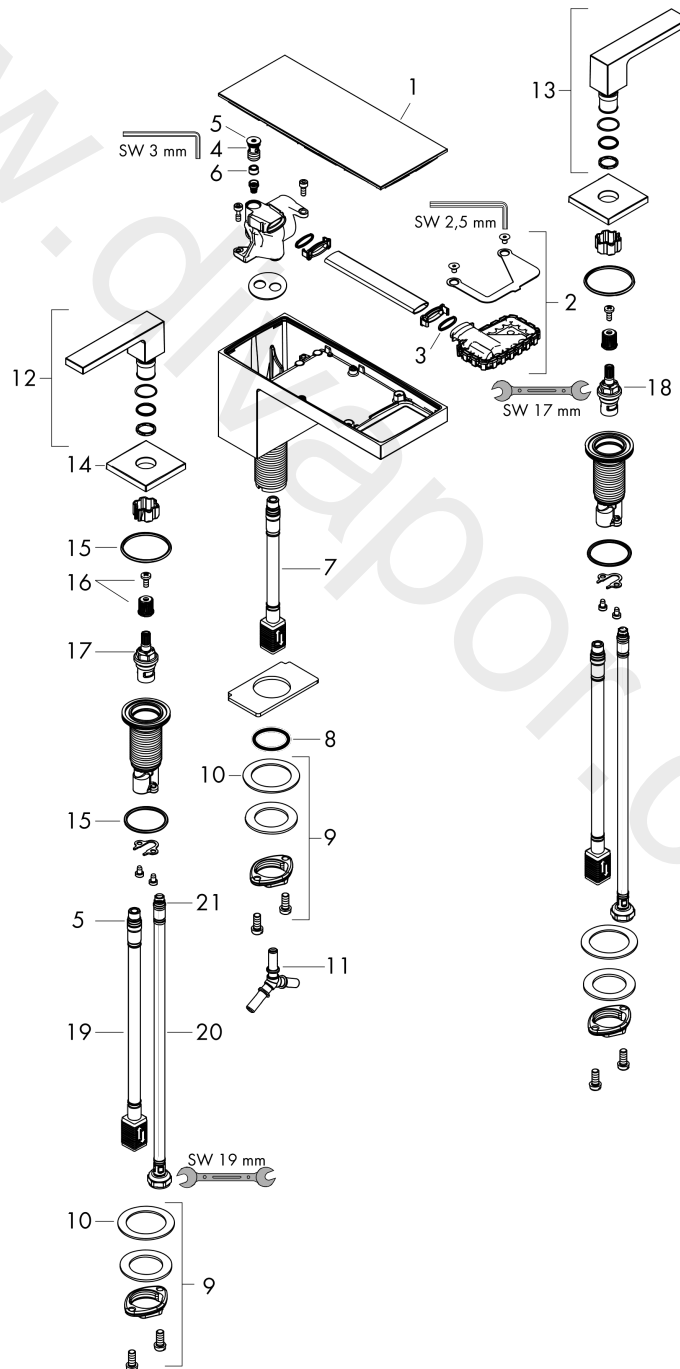


AXOR MyEdition
3-hole basin mixer 70 with push-open waste set
 Finish: **Chrome/Mirror Glass** Article Number: **47050000**



Exploded Drawing

Year of production: >01/19



AXOR MyEdition
3-hole basin mixer 70 with push-open waste set
 Finish: **Chrome/Mirror Glass** Article Number: **47050000**



Spare part list

Year of production: >01/19

| Pos. | | Article Number | Price | PU |
|------|-------------------------------------|----------------|----------|----|
| 1 | cover | 47900000 | £ 144,00 | 1 |
| 2 | spray former | 93385000 | £ 110,00 | 1 |
| 3 | O-ring 13x1,5 | 98475000 | £ 3,30 | 1 |
| 4 | service unit | 93384007 | £ 51,00 | 1 |
| 5 | O-ring 8x1,75 | 97827000 | £ 3,30 | 1 |
| 6 | flow limiter (5 l/min) | 95311000 | £ 6,10 | 1 |
| 7 | connection hose 200 mm M10x1 | 92913000 | £ 51,00 | 1 |
| 8 | O-ring 26x4 | 92191000 | - | 1 |
| 9 | fixing set (Ø 28) | 92909000 | £ 43,00 | 1 |
| 10 | lever collar | 97548000 | £ 3,30 | 1 |
| 11 | hose connection angel | 92905000 | £ 43,00 | 1 |
| 12 | handle for hot water | 93379000 | £ 79,00 | 1 |
| 13 | handle for cold water | 93380000 | £ 79,00 | 1 |
| 14 | escutcheon for handle | 93381000 | - | 1 |
| 15 | O-ring 33x2,5 | 92907000 | £ 3,30 | 1 |
| 16 | handle fixing set | 98932000 | £ 16,10 | 1 |
| 17 | shut off unit right closing | 98817000 | £ 35,00 | 1 |
| 18 | shut off unit left closing | 95366000 | £ 43,00 | 1 |
| 19 | connection hose 400 mm M10x1 | 92914000 | £ 64,00 | 1 |
| 20 | connection hose 450 mm M8x0,75 G3/8 | 97206000 | £ 35,00 | 1 |
| 21 | O-ring 6,6x1,6 | 93019000 | £ 3,30 | 1 |
| a | push-open waste set | 51300000 | £ 94,00 | 1 |
| b | service unit | 93384000 | £ 51,00 | 1 |
| c | flat seal | 98749000 | £ 6,10 | 1 |
| d | cover | 47903000 | £ 144,00 | 1 |
| e | cover | 47906000 | £ 440,00 | 1 |
| f | cover | 47909000 | £ 440,00 | 1 |
| g | cover | 47913000 | £ 440,00 | 1 |
| h | cover | 47916000 | £ 440,00 | 1 |