

AXOR MyEdition
Single lever basin mixer 230 with push-open waste set without plate 2 ticks
 Finish: **Chrome** Article Number: **47025009**



product features

- consists of: single lever basin mixer, waste set
- ComfortZone 230
- projection: 196 mm
- spout height: 225 mm
- handle variant: lever handle
- spray type: PowderRain
- maximum flow rate at 3 bar: 3,8 l/min
- ceramic cartridge
- temperature limitation adjustable
- with isolated water conduction - without contact with nickel and lead
- push-open waste set G 1¼
- connection type: G ½ connections
- connection dimension: DN15
- handle position on the side: top-side at the spout (generally suitable for wash bowls)

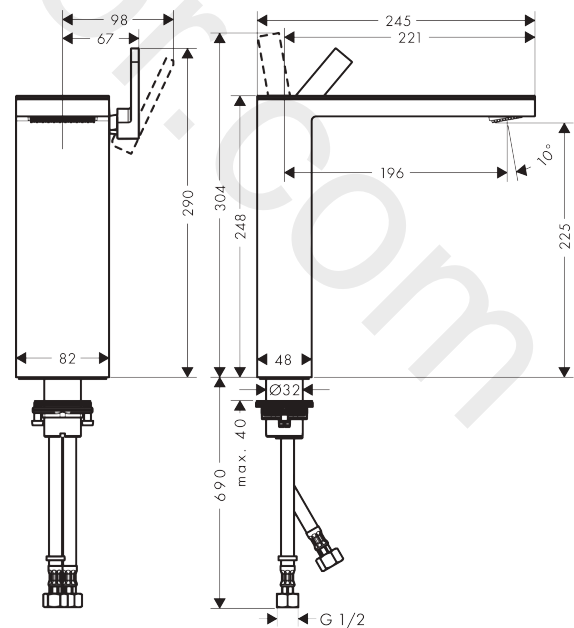
Technology



Product image



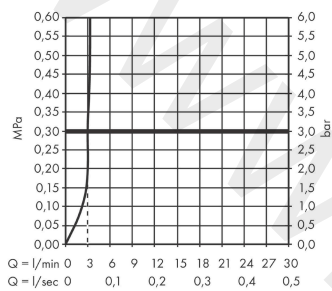
Scale drawing



AXOR MyEdition
Single lever basin mixer 230 with push-open waste set without plate 2 ticks
Finish: **Chrome** Article Number: **47025009**



Flowchart

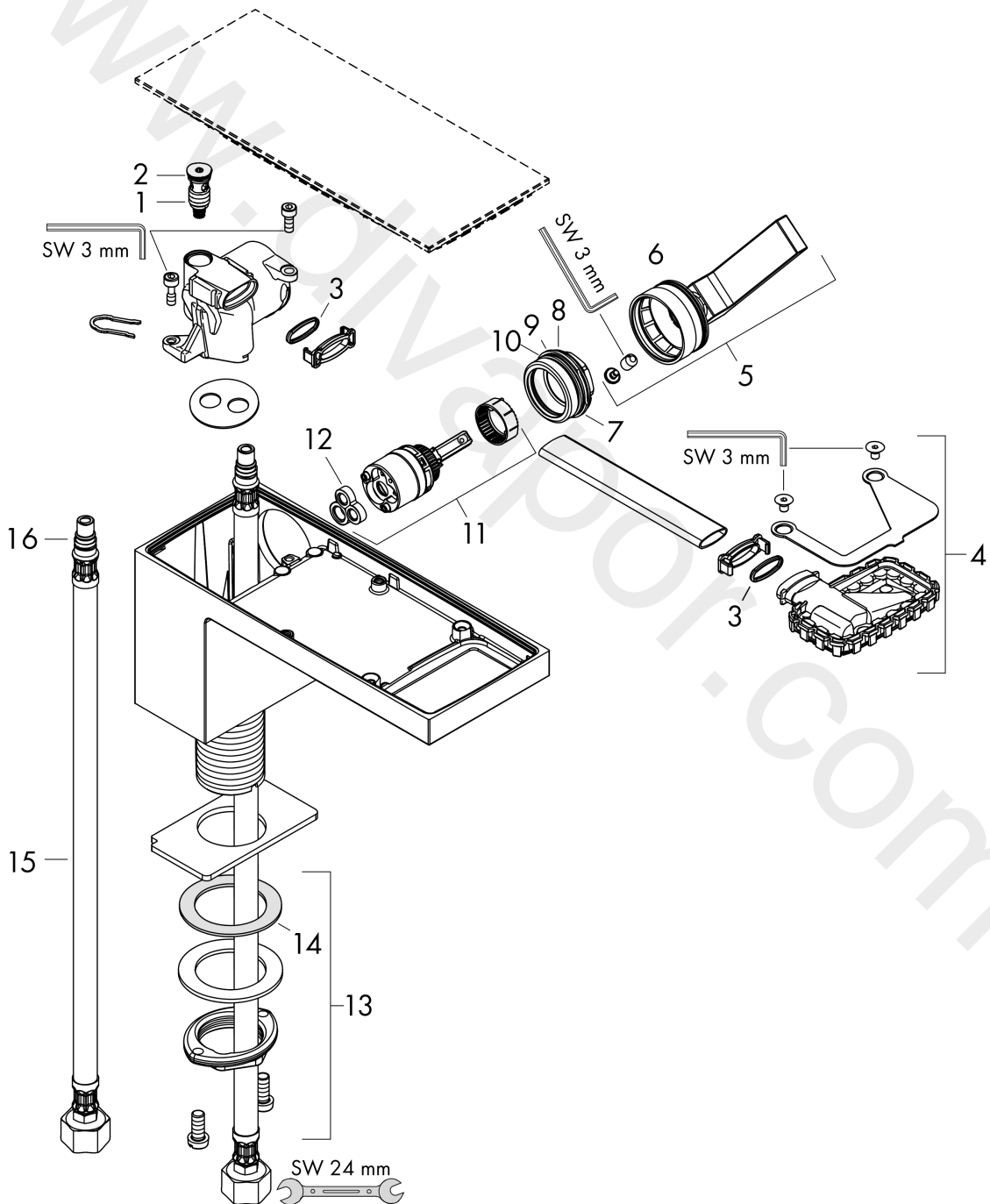


AXOR MyEdition
Single lever basin mixer 230 with push-open waste set without plate 2 ticks
 Finish: **Chrome** Article Number: **47025009**



Exploded Drawing

Year of production: >04/20



AXOR MyEdition
Single lever basin mixer 230 with push-open waste set without plate 2 ticks
 Finish: **Chrome** Article Number: **47025009**



Spare part list

Year of production: >04/20

Pos.		Article Number	Price	PU
1	service unit	93384007	£ 51,00	1
2	O-ring 8x1,75	97827000	£ 3,30	1
3	O-ring 13x1,5	98475000	£ 3,30	1
4	spray former	93385000	£ 110,00	1
5	handle	93386000	£ 137,00	1
6	O-ring 33x1,5	98164000	£ 3,30	1
7	nut	92926000	£ 16,10	1
8	O-ring 29x2	98391000	£ 3,30	1
9	O-ring 30x1,5	98433000	£ 3,30	1
10	O-ring 25x1,5	98146000	£ 3,30	1
11	cartridge, assy	92900000	£ 64,00	1
12	seal	93383000	£ 13,30	1
13	fixing set (Ø 32)	13961000	£ 25,00	1
14	lever collar	97548000	£ 3,30	1
15	connection hose 900 mm M8x0,75 G½	97489000	£ 35,00	1
16	O-ring 7x1,5	98422000	£ 3,30	1
a	push-open waste set	51300000	£ 94,00	1
b	fixation extension 35 mm	13898000	£ 79,00	1
c	cover	47906000	£ 440,00	1
d	cover	47909000	£ 440,00	1
e	cover	47913000	£ 440,00	1
f	cover	47916000	£ 440,00	1
g	cover	47903000	£ 144,00	1
h	cover	47900000	£ 144,00	1