

AXOR MyEdition
Single lever basin mixer 70 with push-open waste set 2 ticks
 Finish: **Chrome** Article Number: **47013009**



product features

- consists of: single lever basin mixer, plate, waste set
- ComfortZone 70
- projection: 151 mm
- spout height: 70 mm
- handle variant: lever handle
- plate of glass made of safety glass
- spray type: PowderRain
- maximum flow rate at 3 bar: 3,8 l/min
- ceramic cartridge
- temperature limitation adjustable
- with isolated water conduction - without contact with nickel and lead
- push-open waste set G 1¼
- connection type: G ½ connections
- connection dimension: DN15

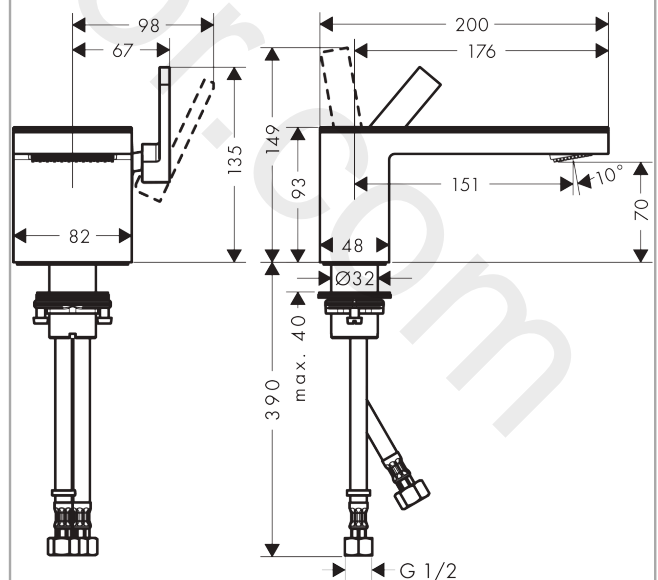
Technology



Product image



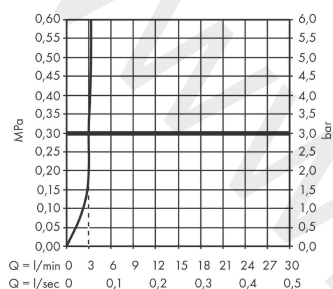
Scale drawing



AXOR MyEdition
Single lever basin mixer 70 with push-open waste set 2 ticks
Finish: **Chrome** Article Number: **47013009**



Flowchart

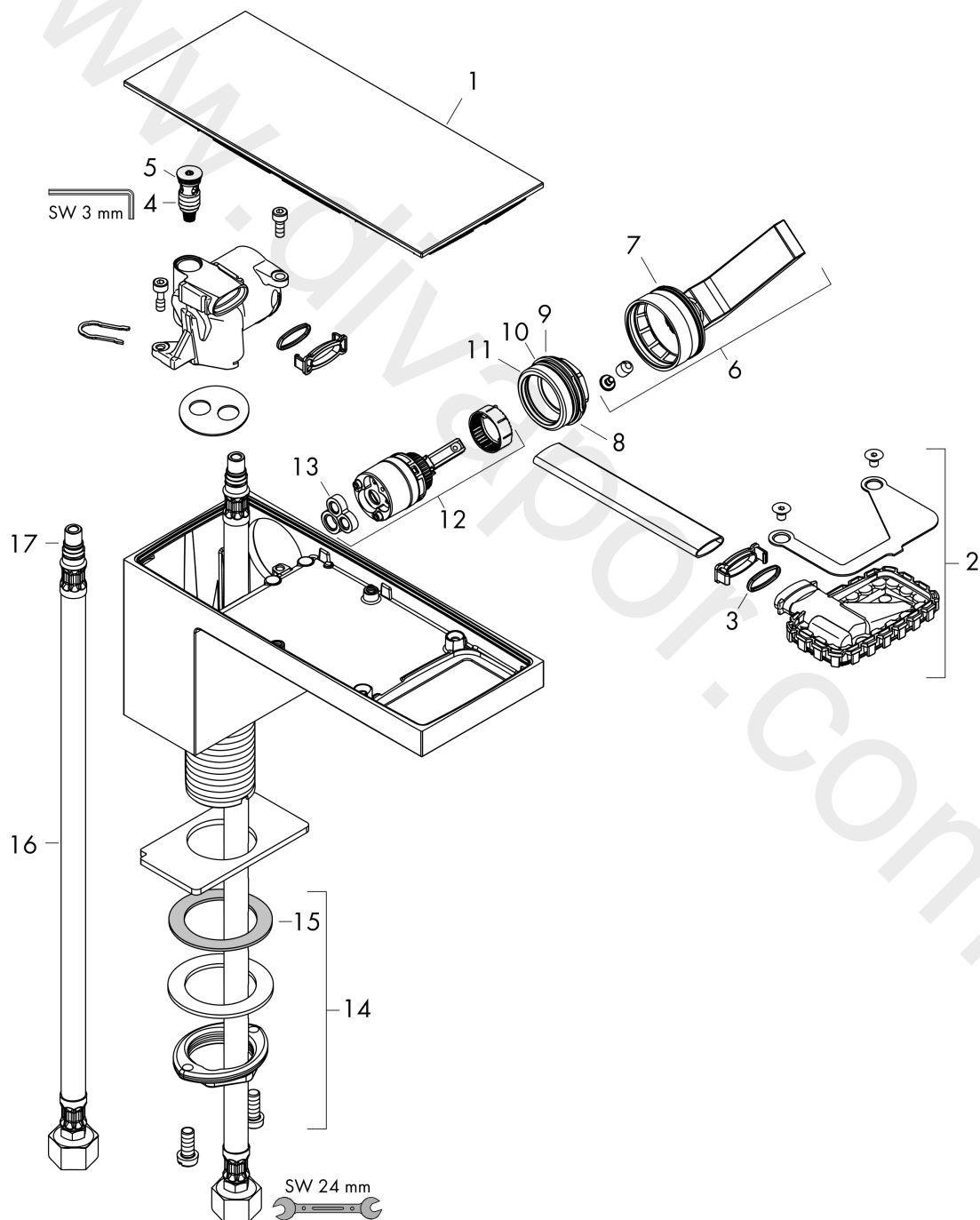


AXOR MyEdition
Single lever basin mixer 70 with push-open waste set 2 ticks
Finish: **Chrome** Article Number: **47013009**



Exploded Drawing

Year of production: >04/20



AXOR MyEdition
Single lever basin mixer 70 with push-open waste set 2 ticks
 Finish: **Chrome** Article Number: **47013009**



Spare part list

Year of production: >04/20

Pos.		Article Number	Price	PU
1	cover	47900000	£ 144,00	1
2	spray former	93385000	£ 110,00	1
3	O-ring 13x1,5	98475000	£ 3,30	1
4	service unit	93384007	£ 51,00	1
5	O-ring 8x1,75	97827000	£ 3,30	1
6	handle	93386000	£ 137,00	1
7	O-ring 33x1,5	98164000	£ 3,30	1
8	nut	92926000	£ 16,10	1
9	O-ring 29x2	98391000	£ 3,30	1
10	O-ring 30x1,5	98433000	£ 3,30	1
11	O-ring 25x1,5	98146000	£ 3,30	1
12	cartridge, assy	92900000	£ 64,00	1
13	seal	93383000	£ 13,30	1
14	fixing set (Ø 32)	13961000	£ 25,00	1
15	lever collar	97548000	£ 3,30	1
16	connection hose 450 mm M8x0,75 G½	97443000	£ 20,50	1
17	O-ring 6,6x1,6	93019000	£ 3,30	1
a	push-open waste set	51300000	£ 94,00	1
b	fixation extension 35 mm	13898000	£ 79,00	1
c	cover	47906000	£ 440,00	1
d	cover	47909000	£ 440,00	1
e	cover	47913000	£ 440,00	1
f	cover	47916000	£ 440,00	1
g	cover	47903000	£ 144,00	1