

AXOR Edge
Thermostat HighFlow for concealed installation - diamond cut
 Finish: **Chrome** Article Number: **46741000**



product features

- thermostat cartridge
- maximum flow rate at 3 bar: 59 l/min
- flow rate upper outlet: 42 l/min
- flow rate lower outlet: 42 l/min
- min. operating pressure: 1 bar
- max. operating pressure: 10 bar
- safety stop at 40 °C
- temperature limitation adjustable
- non-return valve
- with silencer
- connection type: basic set
- WRAS 2107096
- WRAS 2107096 - Approval letter

Article Details

Price excl. VAT 1.225,00 £

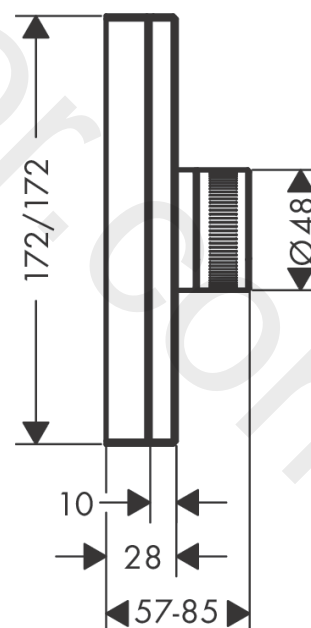
Technology



Product image



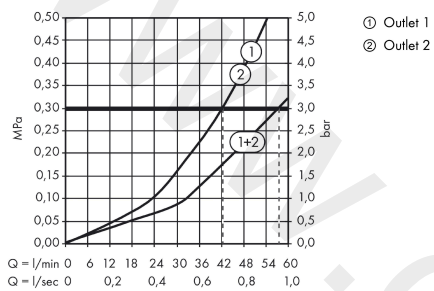
Scale drawing



AXOR Edge
Thermostat HighFlow for concealed installation - diamond cut
 Finish: **Chrome** Article Number: **46741000**



Flowchart

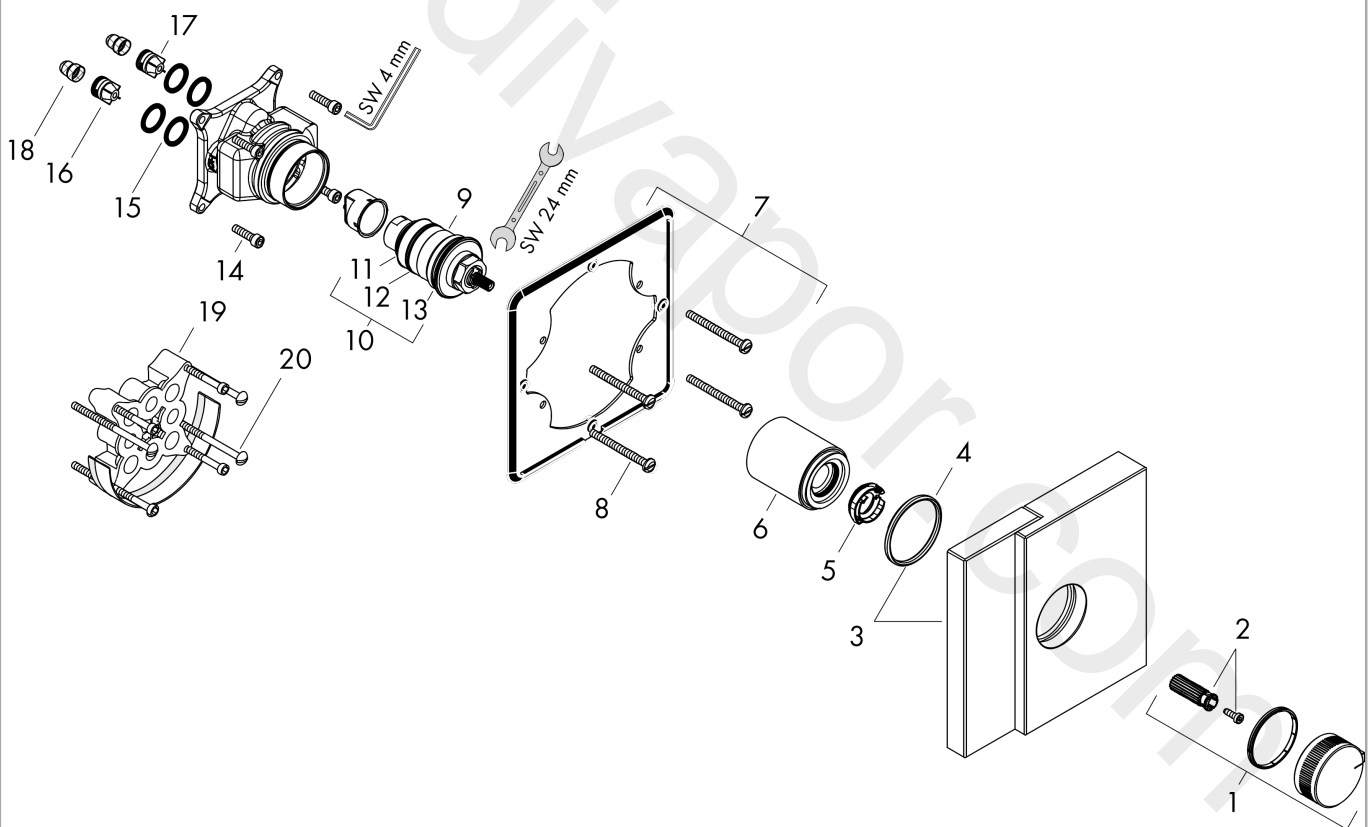


AXOR Edge
Thermostat HighFlow for concealed installation - diamond cut
Finish: **Chrome** Article Number: **46741000**



Exploded Drawing

Year of production: >06/19



AXOR Edge
Thermostat HighFlow for concealed installation - diamond cut
 Finish: **Chrome** Article Number: **46741000**



Spare part list

Year of production: >06/19

Pos.		Article Number	Price	PU
1	handle for thermostat	93593000	£ 370,00	1
2	handle fixing set	95843000	£ 9,00	1
3	escutcheon 170 / 170 mm	93600000	£ 2.330,00	1
4	O-Ring 48x3	95508000	£ 3,30	1
5	safety set	93603000	£ 3,30	1
6	sleeve	93602000	£ 137,00	1
7	sub plate	93604000	£ 96,00	1
8	set of fixing screws	96454000	£ 9,00	1
9	thermostat cartridge	96633000	£ 137,00	1
10	sealing set	96636000	£ 51,00	1
11	O-ring 26x2	98147000	£ 3,30	1
12	O-ring 34x2	98383000	£ 6,10	1
13	O-ring 38x2,5	98198000	£ 6,10	1
14	set of screws	96525000	£ 9,00	1
15	O-ring 16x2	98133000	£ 3,30	1
16	non return valve (pressure-resistant up to 2 MPa)	93444000	£ 35,00	1
17	set of non return valves DW 15	97350000	£ 20,50	1
18	filter	98513000	£ 3,30	1
19	extension 25 mm	13595000	£ 75,00	1
20	set of fixing screws	97747000	£ 3,30	1
a	concealed item	01800180	£ 163,00	1