

AXOR Edge

Thermostatic module Select 470/100 for concealed installation for 2 functions - diamond cut

Finish: **Chrome** Article Number: **46701000**



product features

- consists of: thermostatic module, shower holder, baton hand shower, shower hose
- 2 functions
- simultaneous use of several outlets
- Select push-button on/off control for 2 outlets
- depending on volume flow and installation situation approx. 50% flow rate reduction and integrated shut off function
- thermostat cartridge, Start/stop valve to operate the functions
- maximum flow rate at 3 bar: 35 l/min
- min. operating pressure: 1 bar
- max. operating pressure: 10 bar
- safety stop at 40 °C
- temperature limitation adjustable
- for shower hoses with a cylindrical nut
- connection type: basic set
- thermostat is delivered with buttons hand shower and Rain large
- WRAS 2006331
- WRAS 2006331 - WRAS 2006331_approval_letter

Article Details

Price excl. VAT 2.091,67 £

Technology



Design awards



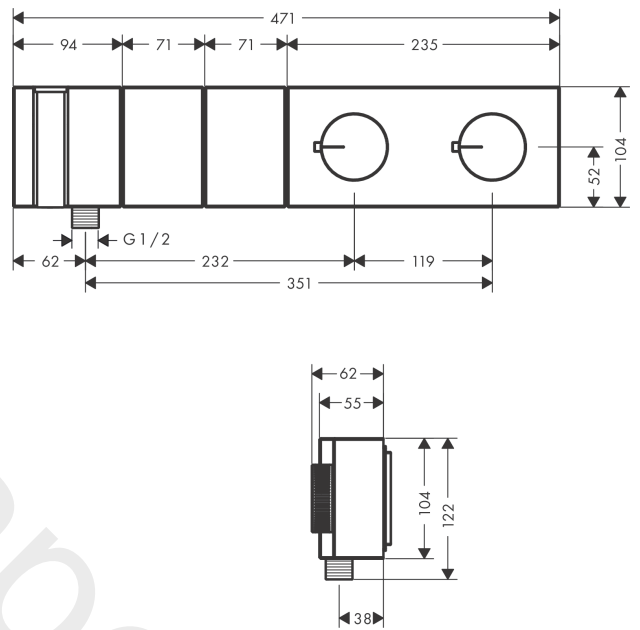
AXOR Edge
Thermostatic module Select 470/100 for concealed installation for 2 functions - diamond cut
 Finish: **Chrome** Article Number: **46701000**



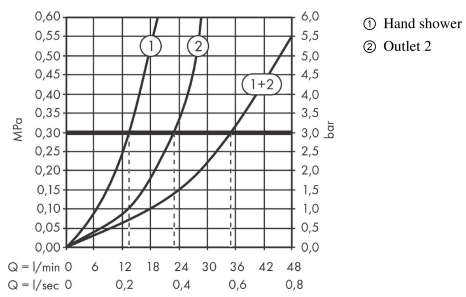
Product image



Scale drawing



Flowchart



AXOR Edge

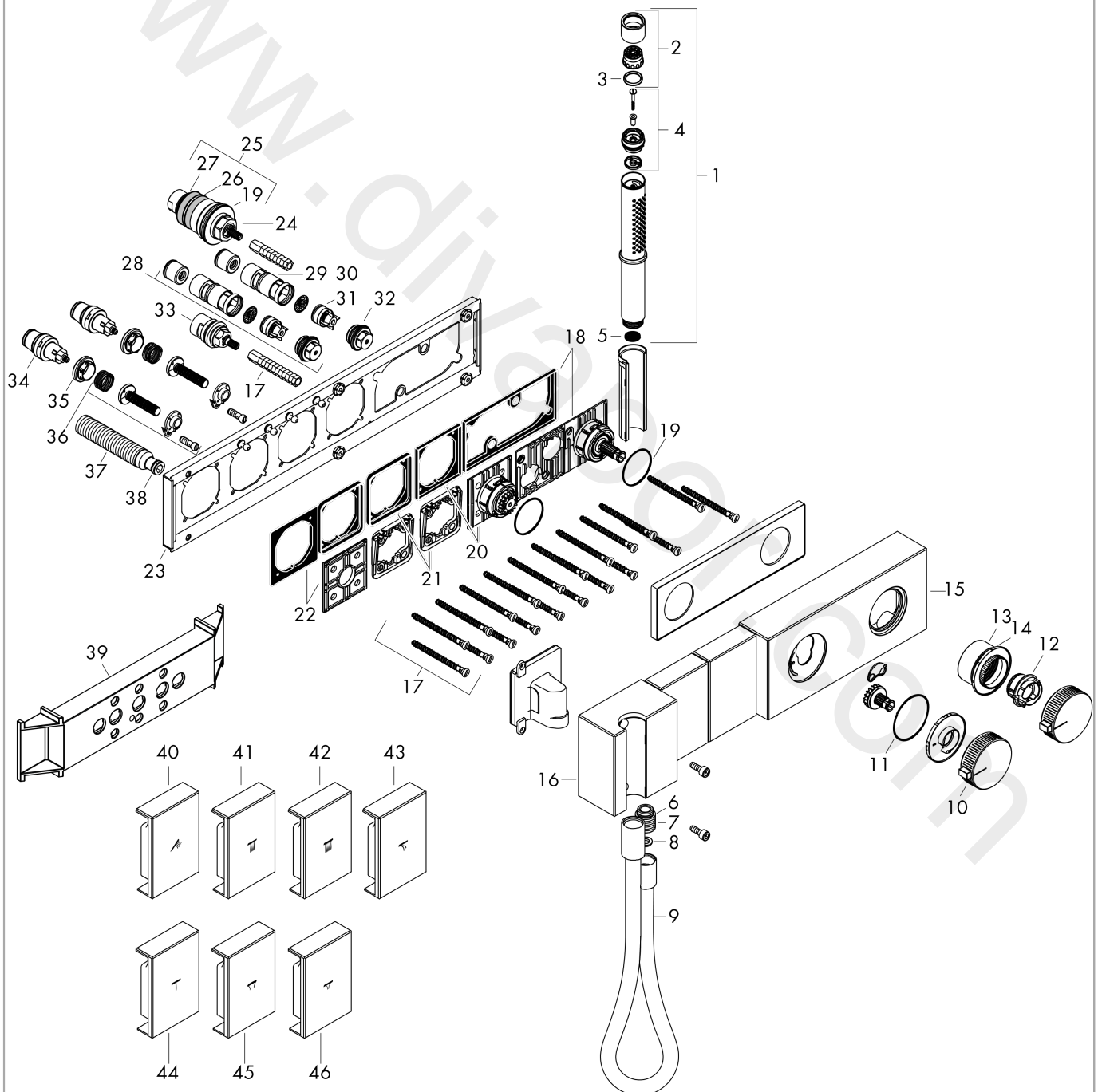
Thermostatic module Select 470/100 for concealed installation for 2 functions - diamond cut

Finish: **Chrome** Article Number: **46701000**



Exploded Drawing

Year of production: >06/19



AXOR Edge

Thermostatic module Select 470/100 for concealed installation for 2 functions - diamond cut

Finish: **Chrome** Article Number: **46701000**



Spare part list

Year of production: >06/19

Pos.		Article Number	Price	PU
1	handshower	95390000	£ 275,00	1
2	spray former	95411000	£ 43,00	1
3	O-Ring 14x2,5	98189000	£ 3,30	1
4	selector assy	95511000	£ 13,30	1
5	filter packing	94246000	£ 3,30	1
6	O-ring 14x2	98129000	£ 3,30	1
7	Hose Connection	96044000	£ 25,00	1
8	seal	98058000	£ 3,30	1
9	shower hose 1,25 m	28282000	£ 67,00	1
10	handle for thermostat	93610000	£ 275,00	1
11	O-Ring 50x2	98187000	£ 3,30	1
12	safety set	93645000	£ 13,30	1
13	nut	93648000	£ 64,00	1
14	O-ring 43x1,5	98148000	£ 3,30	1
15	cover	93644000	-	1
16	shower holder, assy	93647000	£ 1.190,00	1
17	mounting kit	93102000	£ 25,00	1
18	adapter for handle	94013000	£ 51,00	1
19	O-ring 38x2,5	98198000	£ 6,10	1
20	adapter for handle	93643000	£ 137,00	1
21	support element	93111000	£ 13,30	1
22	support element	93642000	£ 20,50	1
23	escutcheon	93631000	£ 830,00	1
24	thermostat cartridge	96633000	£ 137,00	1
25	sealing set	96636000	£ 51,00	1
26	O-ring 34x2	98383000	£ 6,10	1
27	O-ring 26x2	98147000	£ 3,30	1
28	service unit	93406000	£ 96,00	1
29	O-ring 20x1,5	98197000	£ 3,30	1
30	filter	97367000	£ 9,00	1
31	non return valve	96655000	£ 13,30	1
32	O-ring 20x2	98165000	£ 3,30	1
33	shut off unit	98536000	£ 79,00	1
34	shut off unit	95758000	£ 110,00	1

AXOR Edge
Thermostatic module Select 470/100 for concealed installation for 2 functions - diamond cut
 Finish: **Chrome** Article Number: **46701000**



Spare part list

Year of production: >06/19

Pos.		Article Number	Price	PU
35	nut	98368000	£ 13,30	1
36	Select-adapter	93103000	£ 25,00	1
37	connecting thread G½	93830000	£ 51,00	1
38	O-ring 11x2	98127000	£ 3,30	1
39	fit-up aid	92540000	£ 14,10	1
40	symbol handshower	93635000	£ 445,00	1
41	symbol head shower Rain small	93636000	£ 445,00	1
42	symbol head shower Rain large	93641000	£ 445,00	1
43	symbol Flood jet	93640000	£ 445,00	1
44	symbol Mono	93639000	£ 445,00	1
45	symbol PowderRain inside	93638000	£ 445,00	1
46	symbol PowderRain outside	93637000	£ 445,00	1
a	concealed item	18310180	£ 1.200,00	1